

BI-Lok[®]

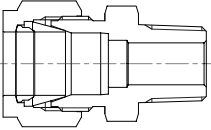
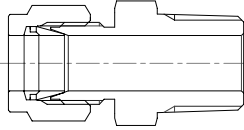
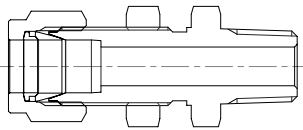
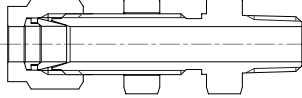
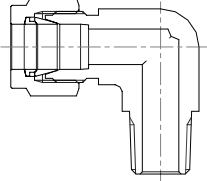
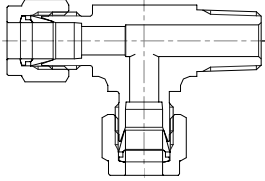
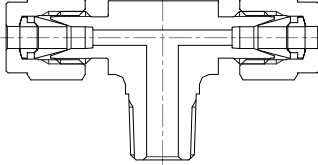
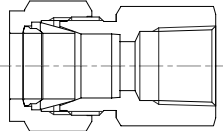
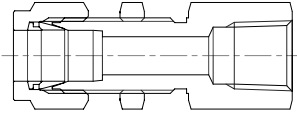
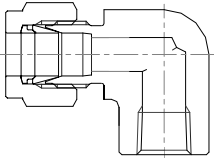
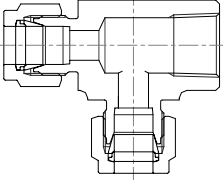
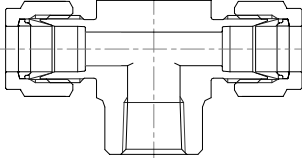
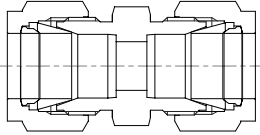
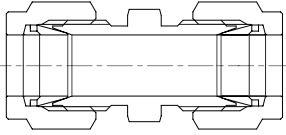
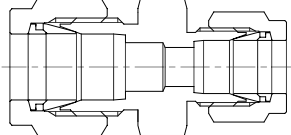
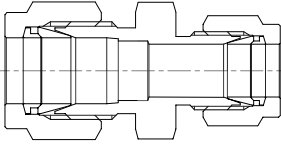
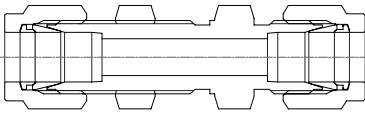
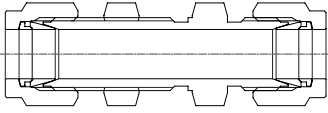
**DOUBLE FERRULE TYPE
TUBE FITTINGS**

**D I M E N S I O N
S H E E T**

**FRACTIONAL SERIES
STAINLESS STEEL TUBE**

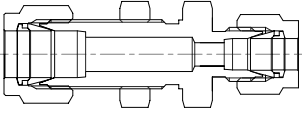
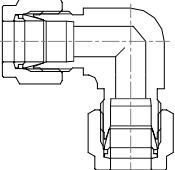
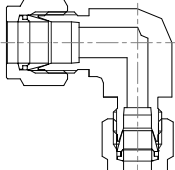
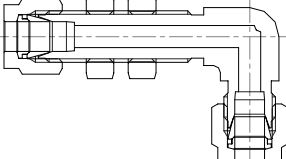
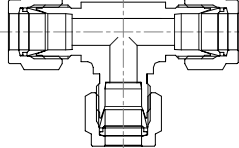
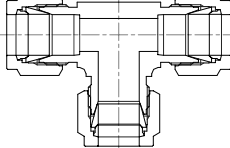
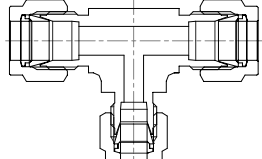
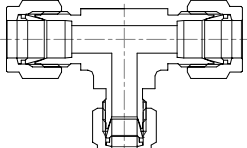
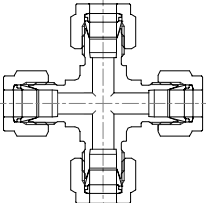
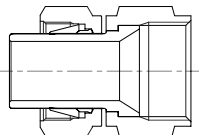
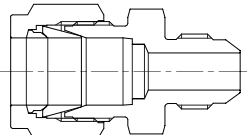
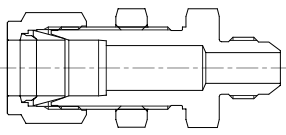
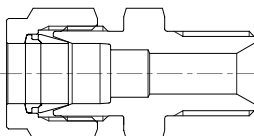
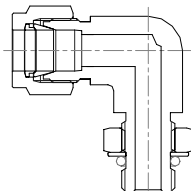
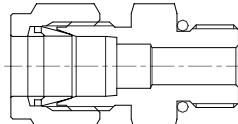
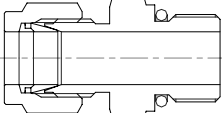
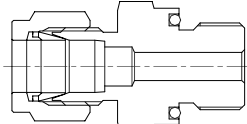
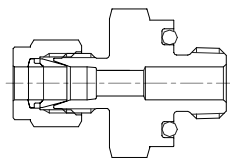
IHARA SCIENCE CORPORATION

Visual Index

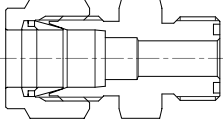
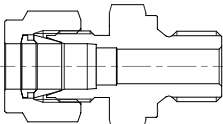
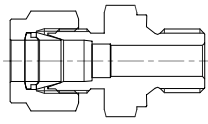
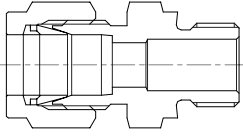
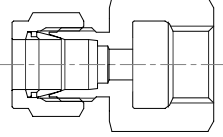
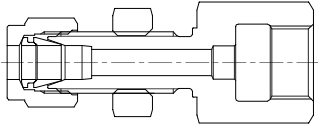
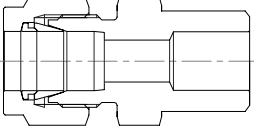
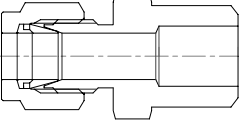
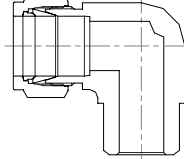
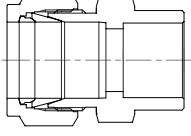
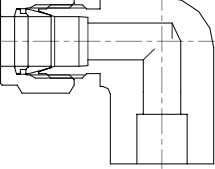
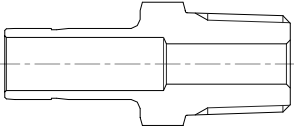
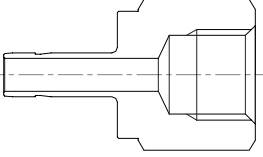
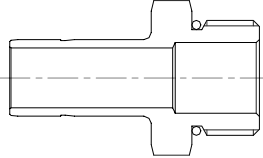
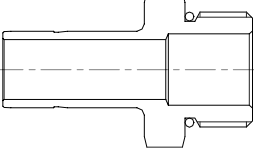
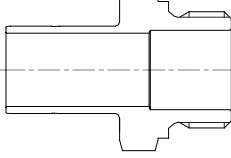
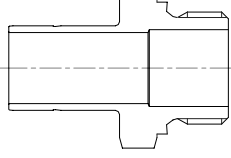
5	DCT Male Connector	7	DCTZ Male Connector/Bored thru	8	DSC Bulkhead Male Connector
					
9	DSCZ Bulkhead Male Connector /Bored thru	9	DLN Male Elbow	11	DTK Male Run Tee
					
12	DTN Male Branch Tee	13	DSA Female Connector	14	DSS Bulkhead Female Connector
					
15	DLF Female Elbow	16	DTF Female Run Tee	17	DTH Female Branch Tee
					
18	DUA Union	19	DUAZ Union/Bored thru	19	DUR Reducing Union
					
20	DURZ Reducing Union/Bored thru	20	DSU Bulkhead Union	21	DSUZ Bulkhead Union/Bored thru
					

Please be advised that the contents of this catalogue may be revised without notice when improvements or modifications are made on the items.

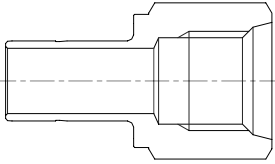
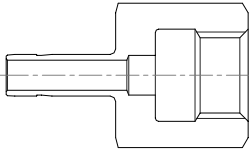
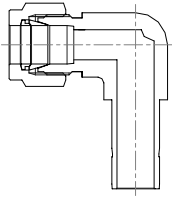
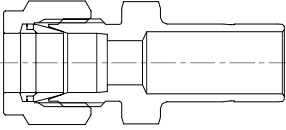
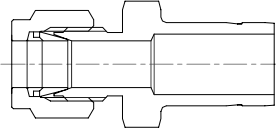
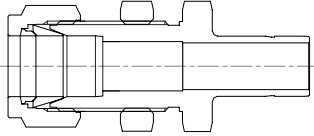
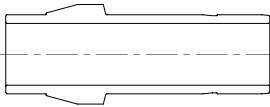
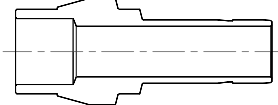
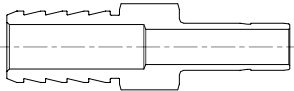
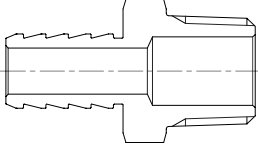
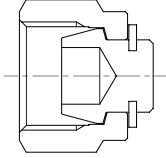
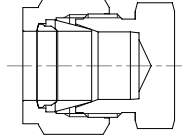

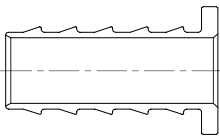
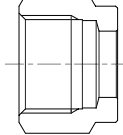

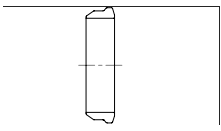
Visual Index

<p>21 DSUR Bulkhead Reducing Union</p> 	<p>22 DLA Union Elbow</p> 	<p>23 DLR Reducing Union Elbow</p> 
<p>23 DSL Bulkhead Union Elbow</p> 	<p>24 DTA Union Tee</p> 	<p>24 DTAZ Union Tee/Bored thru</p> 
<p>25 DTR Reducing Union Tee</p> 	<p>25 DTRZ Reducing Union Tee /Bored thru</p> 	<p>26 DXA Union Cross</p> 
<p>26 DAN Bi-lok to AN Adapter</p> 	<p>27 DUC AN Union</p> 	<p>27 DUE AN Bulkhead Union</p> 
<p>28 DUD Male Connector for 30° Hose adapter</p> 	<p>29 DLO Positional Male Elbow</p> 	<p>30 DCU O-ring seal Male Connector for straight thread</p> 
<p>31 DCUZ O-ring seal Male Connector /Bored thru</p> 	<p>32 DCO O-ring seal Male Connector for straight thread</p> 	<p>33 DCM O-ring seal Male Connector for pipe tapered thread</p> 

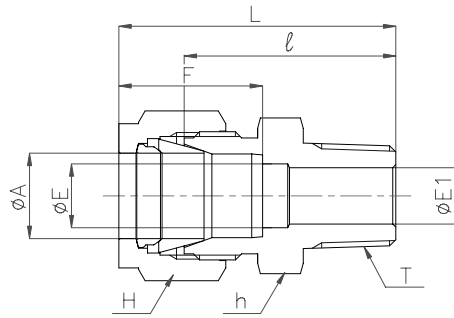
Visual Index

<p>33 DCF O-ring seal Male Connector for straight thread</p> 	<p>34 DCQ Bonded seal Male Connector for straight thread</p> 	<p>35 DCJ Gasket seal Male Connector for straight thread</p> 
<p>35 DCG Gasket seal Male Connector for straight thread</p> 	<p>36 DGA Gauge Connector</p> 	<p>36 DGB Bulkhead Gauge Connector</p> 
<p>37 DCB Male pipe weld Connector</p> 	<p>38 DCBZ Male pipe weld Connector Bored thru</p> 	<p>38 DLB Male pipe weld Elbow</p> 
<p>39 DCW Tube socket weld Connector</p> 	<p>39 DLW Tube socket weld Elbow</p> 	
<p>40 DHA Male Adapter</p> 	<p>41 DHC Female Adapter</p> 	<p>42 DHO O-ring seal Male Adapter for straight thread</p> 
<p>42 DHB O-ring seal Male Adapter for straight thread</p> 	<p>43 DHQ Bonded seal Male Adapter for straight thread</p> 	<p>43 DHJ Gasket seal Male Adapter for straight thread</p> 

Visual Index

<p>44 DHF Gauge Adapter</p> 	<p>44 DHG Gauge Adapter</p> 	<p>45 DLH Elbow Adapter</p> 
<p>45 DRE Reducer</p> 	<p>47 DREZ Reducer / Bored thru</p> 	<p>48 DSE Bulkhead Reducer</p> 
<p>49 DPC Port Connector</p> 	<p>49 DPC Reducing Port Connector</p> 	<p>50 DAH Hose Adapter</p> 
<p>50 DAT Hose Adapter</p> 	<p>51 DBA Plug</p> 	<p>51 DCA Cap</p> 
<p>51 DNN Lock Nut</p> 	<p>52 DTI Insert (Saw type)</p> 	<p>53 DNA Nut</p> 
<p>53 DOF Front Ferrule</p> 	<p>53 DOB Back Ferrule</p> 	<p>54 Tube end dimensional data</p>

BI-LoK	DCT	Male Connector Connects fractional tube to female tapered pipe thread
---------------	------------	---



H : See dimensional data(Last page)

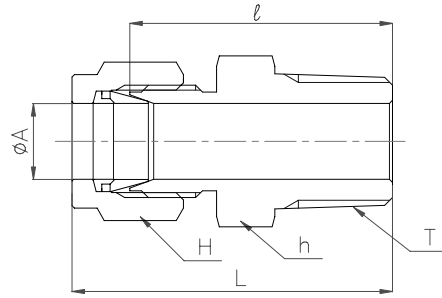
Part No.		A(Tube O. D)		T	E	E ₁	h(HEX)		ℓ	L	F
ANSI NPT	ISO/JIS R	in	mm	NPT/R	mm	mm	in	mm	mm	mm	mm
DCT 1-1		1/16	1.59	1/16	1.3	3.0	5/16	7.94	20.0	24.0	8.9
DCT 1-2	DCT 1-R2	1/16	1.59	1/8	1.3	4.8	7/16	11.11	21.5	25.5	8.9
DCT 1-4	DCT 1-R4	1/16	1.59	1/4	1.3	7.1	9/16	14.29	26.9	30.9	8.9
	DCT 1-R6	1/16	1.59	3/8	1.3	10.4	11/16	17.46	28.8	32.8	8.9
DCT 2-1		1/8	3.18	1/16	2.3	3.0	7/16	11.11	23.1	29.8	13.0
DCT 2-2	DCT 2-R2	1/8	3.18	1/8	2.3	4.8	7/16	11.11	23.1	29.8	13.0
DCT 2-4		1/8	3.18	1/4	2.3	7.1	9/16	14.29	28.5	35.2	13.0
	DCT 2-R4	1/8	3.18	1/4	2.3	4.8	9/16	14.29	28.5	35.2	13.0
DCT 2-6	DCT 2-R6	1/8	3.18	3/8	2.3	10.4	11/16	17.46	29.4	36.1	13.0
DCT 2-8	DCT 2-R8	1/8	3.18	1/2	2.3	12.7	7/8	22.23	35.0	41.7	13.0
DCT 3-2	DCT 3-R2	3/16	4.76	1/8	3.0	3.0	7/16	11.11	24.0	30.7	13.8
DCT 3-4	DCT 3-R4	3/16	4.76	1/4	3.0	3.0	9/16	14.29	29.5	36.2	13.8
DCT 3-6		3/16	4.76	3/8	3.0	3.0	11/16	17.46	30.0	36.7	13.8
DCT 3-8		3/16	4.76	1/2	3.0	12.7	7/8	22.23	35.8	42.5	13.8
DCT 4-1		1/4	6.35	1/16	4.8	3.0	1/2	12.7	25.4	32.9	15.4
DCT 4-2	DCT 4-R2	1/4	6.35	1/8	4.8	4.8	1/2	12.7	25.4	32.9	15.4
DCT 4-4	DCT 4-R4	1/4	6.35	1/4	4.8	4.8	9/16	14.29	30.3	37.8	15.4
DCT 4-6		1/4	6.35	3/8	4.8	4.8	11/16	17.46	31.0	38.5	15.4
	DCT 4-R6	1/4	6.35	3/8	4.8	4.8	11/16	17.46	32.0	39.5	15.4
DCT 4-8	DCT 4-R8	1/4	6.35	1/2	4.8	4.8	7/8	22.23	36.6	44.1	15.4
DCT 4-12		1/4	6.35	3/4	4.8	4.8	1-1/16	26.99	37.4	44.9	15.4
	DCT 4-R12	1/4	6.35	3/4	4.8	4.8	1-1/16	26.99	39.4	46.9	15.4
DCT 4-16		1/4	6.35	1	4.8	4.8	1-3/8	34.93	46.0	53.5	15.4
DCT 5-2	DCT 5-R2	5/16	7.94	1/8	6.4	4.8	9/16	14.29	26.7	34.2	16.3
DCT 5-4	DCT 5-R4	5/16	7.94	1/4	6.4	6.4	9/16	14.29	31.3	38.8	16.3
DCT 5-6		5/16	7.94	3/8	6.4	6.4	11/16	17.46	31.8	39.3	16.3
	DCT 5-R6	5/16	7.94	3/8	6.4	6.4	11/16	17.46	32.8	40.3	16.3
DCT 5-8	DCT 5-R8	5/16	7.94	1/2	6.4	6.4	7/8	22.23	37.3	44.8	16.3
DCT 5-12		5/16	7.94	3/4	6.4	6.4	1-1/16	26.99	38.2	45.7	16.3
DCT 6-2	DCT 6-R2	3/8	9.53	1/8	7.1	4.8	5/8	15.88	27.7	35.2	17.0
DCT 6-4	DCT 6-R4	3/8	9.53	1/4	7.1	7.1	5/8	15.88	32.5	40.0	17.0
DCT 6-6		3/8	9.53	3/8	7.1	7.1	11/16	17.46	32.5	40.0	17.0
	DCT 6-R6	3/8	9.53	3/8	7.1	7.1	11/16	17.46	33.5	41.0	17.0
DCT 6-8	DCT 6-R8	3/8	9.53	1/2	7.1	7.1	7/8	22.23	38.1	45.6	17.0
DCT 6-12		3/8	9.53	3/4	7.1	7.1	1-1/16	26.99	39.0	46.5	17.0
	DCT 6-R12	3/8	9.53	3/4	7.1	7.1	1-1/16	26.99	41.0	48.5	17.0

Part No.		A (Tube O. D)		T	E	E ₁	h (HEX)		ℓ	L	F
ANSI NPT	ISO/JIS R	in	mm	NPT/R	mm	mm	in	mm	mm	mm	mm
DCT 8-2	DCT 8-R2	1/2	12.7	1/8	10.4	4.8	13/16	20.64	28.4	38.7	23.0
DCT 8-4	DCT 8-R4	1/2	12.7	1/4	10.4	7.1	13/16	20.64	33.3	43.6	23.0
DCT 8-6		1/2	12.7	3/8	10.4	10.4	13/16	20.64	33.3	43.6	23.0
	DCT 8-R6	1/2	12.7	3/8	10.4	10.4	13/16	20.64	34.3	44.6	23.0
DCT 8-8	DCT 8-R8	1/2	12.7	1/2	10.4	10.4	7/8	22.23	38.1	48.4	23.0
DCT 8-12		1/2	12.7	3/4	10.4	10.4	1-1/16	26.99	39.0	49.3	23.0
	DCT 8-R12	1/2	12.7	3/4	10.4	10.4	1-1/16	26.99	41.0	51.3	23.0
DCT 8-16		1/2	12.7	1	10.4	10.4	1-3/8	34.93	47.6	57.9	23.0
	DCT 10-R2	5/8	15.88	1/8	12.7	4.8	15/16	23.81	30.0	40.3	24.6
DCT 10-4	DCT 10-R4	5/8	15.88	1/4	12.7	7.1	15/16	23.81	34.0	44.3	24.6
DCT 10-6		5/8	15.88	3/8	12.7	10.4	15/16	23.81	34.0	44.3	24.6
	DCT 10-R6	5/8	15.88	3/8	12.7	10.4	15/16	23.81	35.0	45.3	24.6
DCT 10-8	DCT 10-R8	5/8	15.88	1/2	12.7	12.7	15/16	23.81	39.0	49.3	24.6
DCT 10-12		5/8	15.88	3/4	12.7	12.7	1-1/16	26.99	38.9	49.2	24.6
	DCT 10-R12	5/8	15.88	3/4	12.7	12.7	1-1/16	26.99	40.9	51.2	24.6
DCT 12-4	DCT 12-R4	3/4	19.05	1/4	15.8	7.1	1-1/16	26.99	35.4	45.7	24.6
DCT 12-6		3/4	19.05	3/8	15.8	10.4	1-1/16	26.99	35.4	45.7	24.6
	DCT 12-R6	3/4	19.05	3/8	15.8	10.4	1-1/16	26.99	36.4	46.7	24.6
DCT 12-8	DCT 12-R8	3/4	19.05	1/2	15.8	12.7	1-1/16	26.99	40.4	50.7	24.6
DCT 12-12		3/4	19.05	3/4	15.8	15.8	1-1/16	26.99	40.4	50.7	24.6
	DCT 12-R12	3/4	19.05	3/4	15.8	15.8	1-1/16	26.99	42.4	52.7	24.6
DCT 12-16	DCT 12-R16	3/4	19.05	1	15.8	15.8	1-3/8	34.93	47.6	57.9	24.6
DCT 14-8	DCT 14-R8	7/8	22.23	1/2	18.3	12.7	1-3/16	30.16	40.4	50.6	26.1
DCT 14-12		7/8	22.23	3/4	18.3	18.3	1-3/16	30.16	40.4	50.6	26.1
	DCT 14-R12	7/8	22.23	3/4	18.3	18.3	1-3/16	30.16	42.4	52.6	26.1
DCT 14-16	DCT 14-R16	7/8	22.23	1	18.3	18.3	1-3/8	34.93	47.6	57.8	26.1
	DCT 16-R6	1	25.4	3/8	22.5	9.0	1-3/8	34.93	43.5	56.1	31.6
DCT 16-8	DCT 16-R8	1	25.4	1/2	22.5	12.7	1-3/8	34.93	45.0	57.6	31.6
DCT 16-12		1	25.4	3/4	22.5	18.3	1-3/8	34.93	45.0	57.6	31.6
	DCT 16-R12	1	25.4	3/4	22.5	18.3	1-3/8	34.93	47.0	59.6	31.6
DCT 16-16	DCT 16-R16	1	25.4	1	22.5	22.5	1-3/8	34.93	50.0	62.6	31.6

BI-LoK

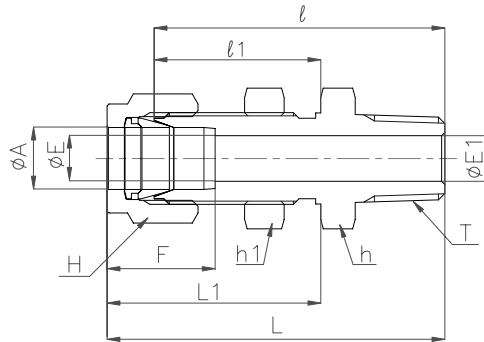
DCTZ

Male Connector / Bored-through
Connects fractional tube to female tapered pipe thread



H : See dimensional data(Last page)

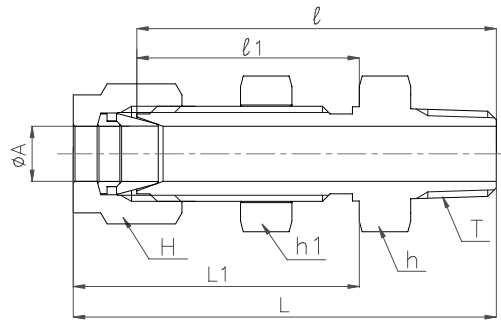
Part No.		A(Tube O. D)		T	h(HEX)		ℓ	L
ANSI NPT	ISO/JIS R	in	mm	NPT/R	in	mm	mm	mm
DCTZ 1-1		1/16	1.59	1/16	5/16	7.94	20.0	24.0
DCTZ 1-2	DCTZ 1-R2	1/16	1.59	1/8	7/16	11.11	21.5	25.5
DCTZ 1-4	DCTZ 1-R4	1/16	1.59	1/4	9/16	14.29	26.9	30.9
DCTZ 2-1		1/8	3.18	1/16	7/16	11.11	23.1	29.8
DCTZ 2-2	DCTZ 2-R2	1/8	3.18	1/8	7/16	11.11	23.1	29.8
DCTZ 2-4	DCTZ 2-R4	1/8	3.18	1/4	9/16	14.29	28.5	35.2
DCTZ 2-6		1/8	3.18	3/8	11/16	17.46	29.4	36.1
	DCTZ 2-R6	1/8	3.18	3/8	11/16	17.46	30.4	37.1
DCTZ 2-8		1/8	3.18	1/2	7/8	22.23	35.0	41.7
	DCTZ 2-R8	1/8	3.18	1/2	7/8	22.23	34.9	41.6
DCTZ 3-2	DCTZ 3-R2	3/16	4.76	1/8	7/16	11.11	24.0	30.7
DCTZ 3-4	DCTZ 3-R4	3/16	4.76	1/4	9/16	14.29	29.5	36.2
	DCTZ 3-R6	3/16	4.76	3/8	11/16	17.46	31.2	37.9
	DCTZ 3-R8	3/16	4.76	1/2	7/8	22.23	35.8	42.5
DCTZ 4-2	DCTZ 4-R2	1/4	6.35	1/8	1/2	12.7	25.4	32.9
DCTZ 4-4	DCTZ 4-R4	1/4	6.35	1/4	9/16	14.29	30.3	37.8
DCTZ 4-6		1/4	6.35	3/8	11/16	17.46	31.0	38.5
	DCTZ 4-R6	1/4	6.35	3/8	11/16	17.46	32.0	39.5
DCTZ 4-8		1/4	6.35	1/2	7/8	22.23	36.6	44.1
	DCTZ 4-R8	1/4	6.35	1/2	7/8	22.23	36.5	44.0
DCTZ 5-4	DCTZ 5-R4	5/16	7.94	1/4	9/16	14.29	31.3	38.8
DCTZ 5-6	DCTZ 5-R6	5/16	7.94	3/8	11/16	17.46	31.8	39.3
DCTZ 5-8	DCTZ 5-R8	5/16	7.94	1/2	7/8	22.23	37.3	44.8
DCTZ 6-4	DCTZ 6-R4	3/8	9.53	1/4	5/8	15.88	32.5	40.0
DCTZ 6-6		3/8	9.53	3/8	11/16	17.46	32.5	40.0
	DCTZ 6-R6	3/8	9.53	3/8	11/16	17.46	33.5	41.0
DCTZ 6-8	DCTZ 6-R8	3/8	9.53	1/2	7/8	22.23	38.1	45.6
DCTZ 8-6		1/2	12.7	3/8	13/16	20.64	33.3	43.6
	DCTZ 8-R6	1/2	12.7	3/8	13/16	20.64	34.3	44.6
DCTZ 8-8	DCTZ 8-R8	1/2	12.7	1/2	7/8	22.23	38.1	48.4
DCTZ 8-12		1/2	12.7	3/4	1-1/16	26.99	39.0	49.3
	DCTZ 8-R12	1/2	12.7	3/4	1-1/16	26.99	41.0	51.3
DCTZ 10-8	DCTZ 10-R8	5/8	15.88	1/2	15/16	23.81	39.0	49.3
DCTZ 10-12		5/8	15.88	3/4	1-1/16	26.99	38.9	49.2
	DCTZ 10-R12	5/8	15.88	3/4	1-1/16	26.99	40.9	51.2
DCTZ 12-12		3/4	19.05	3/4	1-1/16	26.99	40.4	50.7
	DCTZ 12-R12	3/4	19.05	3/4	1-1/16	26.99	42.4	52.7
DCTZ 12-16	DCTZ 12-R16	3/4	19.05	1	1-3/8	34.93	47.6	57.9
DCTZ 14-16		7/8	22.23	1	1-3/8	34.93	47.6	57.8
DCTZ 16-16	DCTZ 16-R16	1	25.4	1	1-3/8	34.93	50.0	62.6

BI-LoK**DSC****Bulkhead Male Connector**
Connects fractional tube to female tapered pipe thread

H : See dimensional data(Last page)

Part No.		A(Tube O.D)		T	h(HEX)	h ₁ (HEX)	E	E ₁	ℓ	ℓ ₁	L	L ₁	F	Panel	
ANSI NPT	ISO/JIS R	in	mm	NPT/R	in	in	mm	mm	mm	mm	mm	mm	mm	Hole	Thick
DSC 2-2	DSC 2-R2	1/8	3.18	1/8	1/2	1/2	2.3	4.8	40.0	24.6	46.7	31.3	13.0	8.3	12.7
DSC 4-2	DSC 4-R2	1/4	6.35	1/8	5/8	5/8	4.8	4.8	42.2	26.0	49.5	33.5	15.4	11.5	10.2
DSC 4-4	DSC 4-R4	1/4	6.35	1/4	5/8	5/8	4.8	4.8	46.0	26.0	53.5	33.5	15.4	11.5	10.2
DSC 4-6	DSC 4-R6	1/4	6.35	3/8	11/16	5/8	4.8	4.8	46.7	26.0	54.2	33.5	15.4	11.5	10.2
DSC 4-8		1/4	6.35	3/8	11/16	5/8	4.8	4.8	47.7	26.0	55.2	33.5	15.4	11.5	10.2
DSC 5-2	DSC 5-R2	5/16	7.94	1/8	11/16	11/16	6.4	4.8	44.9	28.5	52.4	36.0	16.3	13.1	10.9
DSC 5-4	DSC 5-R4	5/16	7.94	1/4	11/16	11/16	6.4	6.4	48.9	28.5	56.4	36.0	16.3	13.1	10.9
DSC 5-6		5/16	7.94	3/8	11/16	11/16	6.4	6.4	49.2	28.5	56.7	36.0	16.3	13.1	10.9
DSC 6-2	DSC 6-R4	3/8	9.53	1/8	3/4	3/4	7.1	4.8	45.9	29.5	53.4	37.0	17.0	14.7	11.2
DSC 6-4		3/8	9.53	1/4	3/4	3/4	7.1	7.1	50.0	29.5	57.5	37.0	17.0	14.7	11.2
DSC 6-6		3/8	9.53	3/8	3/4	3/4	7.1	7.1	50.0	29.5	57.5	37.0	17.0	14.7	11.2
DSC 6-8	DSC 6-R8	3/8	9.53	3/8	3/4	3/4	7.1	7.1	51.0	29.5	58.5	37.0	17.0	14.7	11.2
DSC 6-8	DSC 6-R8	3/8	9.53	1/2	7/8	3/4	7.1	7.1	58.5	29.5	66.0	37.0	17.0	14.7	11.2
DSC 8-4	DSC 8-R4	1/2	12.7	1/4	15/16	15/16	10.4	7.1	53.4	32.0	63.7	42.3	23.0	19.4	12.7
DSC 8-6	DSC 8-R6	1/2	12.7	3/8	15/16	15/16	10.4	10.4	53.0	32.0	63.3	42.3	23.0	19.4	12.7
DSC 8-8		1/2	12.7	3/8	15/16	15/16	10.4	10.4	54.0	32.0	64.3	42.3	23.0	19.4	12.7
DSC 8-8	DSC 8-R8	1/2	12.7	1/2	15/16	15/16	10.4	10.4	58.0	32.0	68.3	42.3	23.0	19.4	12.7
DSC 8-12	DSC 8-R12	1/2	12.7	3/4	1-1/16	15/16	10.4	10.4	59.1	32.0	69.4	42.3	23.0	19.4	12.7
DSC 8-12		1/2	12.7	3/4	1-1/16	15/16	10.4	10.4	61.1	32.0	71.4	42.3	23.0	19.4	12.7
DSC 10-8		5/8	15.88	1/2	1-1/16	1-1/16	12.7	12.7	59.6	32.5	69.9	42.8	24.6	22.6	12.7
DSC 12-8	DSC12-R8	3/4	19.05	1/2	1-3/16	1-3/16	15.8	12.7	65.8	37.3	76.1	47.6	24.6	25.8	16.8
DSC 12-12	DSC12-R12	3/4	19.05	3/4	1-3/16	1-3/16	15.8	15.8	65.8	37.3	76.1	47.6	24.6	25.8	16.8
DSC 12-12		3/4	19.05	3/4	1-3/16	1-3/16	15.8	15.8	67.8	37.3	78.1	47.6	24.6	25.8	16.8
DSC 14-12		7/8	22.23	3/4	1-3/8	1-3/8	18.3	18.3	70.5	41.2	80.7	51.4	26.1	29.0	19.6
DSC 16-16		1	25.4	1	1-5/8	1-5/8	22.5	22.5	81.1	45.2	93.7	57.8	31.6	33.7	19.1

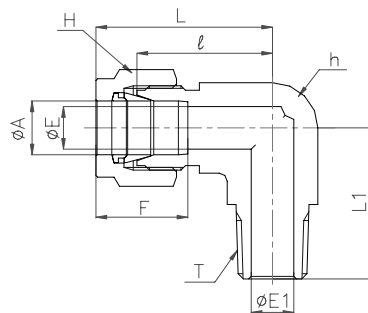
BI-LoK	DSCZ	Bulkhead Male Connector / Bored-through Connects fractional tube to female NPT thread
---------------	-------------	---



H : See dimensional data(Last page)

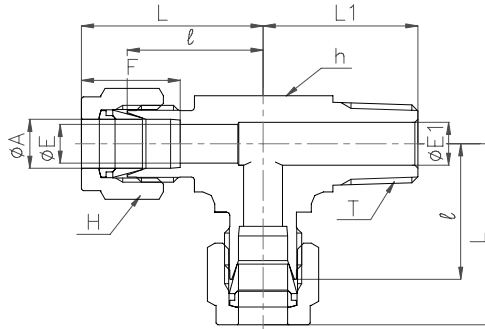
Part No.	A (Tube O. D)		T	h (HEX)		h ₁ (HEX)		l	l_1	L	L ₁	Panel	
	in	mm	NPT	in	mm	in	mm	mm	mm	mm	mm	Hole	Thick
DSCZ 4-2	1/4	6.35	1/8	5/8	15.88	5/8	15.88	42.2	26.0	49.5	33.5	11.5	10.2
DSCZ 4-4	1/4	6.35	1/4	5/8	15.88	5/8	15.88	46.0	26.0	53.5	33.5	11.5	10.2
DSCZ 4-6	1/4	6.35	3/8	11/16	17.46	5/8	15.88	46.7	26.0	54.2	33.5	11.5	10.2
DSCZ 4-8	1/4	6.35	1/2	7/8	22.23	5/8	15.88	52.3	26.0	59.8	33.5	11.5	10.2
DSCZ 6-6	3/8	9.53	3/8	3/4	19.05	3/4	19.05	50.0	29.5	57.5	37.0	14.7	11.2
DSCZ 6-8	3/8	9.53	1/2	7/8	22.23	3/4	19.05	58.5	29.5	66.0	37.0	14.7	11.2
DSCZ 8-8	1/2	12.7	1/2	15/16	23.81	15/16	23.81	58.0	32.0	68.3	42.3	19.4	12.7
DSCZ 8-12	1/2	12.7	3/4	1-1/16	26.99	15/16	23.81	59.1	32.0	69.4	42.3	19.4	12.7
DSCZ 12-12	3/4	19.05	3/4	1-3/16	30.16	1-3/16	30.16	65.8	37.3	76.1	47.6	25.8	16.8
DSCZ 16-16	1	25.4	1	1-5/8	41.28	1-5/8	41.28	81.1	45.2	93.7	57.8	33.7	19.1

BI-LoK	DLN	Male Elbow Connects fractional tube to female tapered pipe thread
---------------	------------	---



H : See dimensional data(Last page)

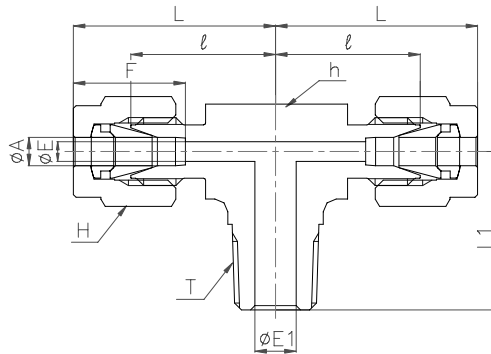
Part No.		A(Tube O. D)		T	E	E ₁	h(Flat)		ℓ	L	L ₁	F
ANSI NPT	ISO/JIS R	in	mm	NPT/R	mm	mm	in	mm	mm	mm	mm	mm
DLN 1-1		1/16	1.59	1/16	1.3	3.0	7/16	11.1	14.2	18.2	18.5	8.9
DLN 1-2	DLN 1-R2	1/16	1.59	1/8	1.3	4.8	7/16	11.1	14.2	18.2	18.5	8.9
DLN 2-1		1/8	3.18	1/16	2.3	3.0	7/16	11.1	16.8	23.5	18.5	13.0
DLN 2-2	DLN 2-R2	1/8	3.18	1/8	2.3	4.8	7/16	11.1	16.8	23.5	18.5	13.0
DLN 2-4	DLN 2-R4	1/8	3.18	1/4	2.3	4.8	1/2	12.7	18.3	25.0	24.0	13.0
DLN 2-6		1/8	3.18	3/8	2.3	9.4	11/16	17.5	22.5	29.2	28.5	13.0
DLN 2-8		1/8	3.18	1/2	2.3	7.1	13/16	20.6	22.5	28.7	33.5	13.0
DLN 3-2	DLN 3-R2	3/16	4.76	1/8	3.0	4.8	1/2	12.7	19.0	25.7	19.0	13.8
DLN 3-4		3/16	4.76	1/4	3.0	6.0	1/2	12.7	19.0	25.7	24.0	13.8
DLN 4-1		1/4	6.35	1/16	4.8	3.0	1/2	12.7	20.0	27.5	19.0	15.4
DLN 4-2	DLN 4-R2	1/4	6.35	1/8	4.8	4.8	1/2	12.7	20.0	27.5	19.0	15.4
DLN 4-4	DLN 4-R4	1/4	6.35	1/4	4.8	6.0	1/2	12.7	20.0	27.5	24.0	15.4
DLN 4-6	DLN 4-R6	1/4	6.35	3/8	4.8	9.4	11/16	17.5	22.5	30.0	28.5	15.4
DLN 4-8	DLN 4-R8	1/4	6.35	1/2	4.8	10.4	13/16	20.6	24.5	32.0	33.5	15.4
DLN 4-12		1/4	6.35	3/4	4.8	12.7	1-1/16	27.0	28.2	35.7	35.5	15.4
DLN 5-2	DLN 5-R2	5/16	7.94	1/8	6.4	4.8	5/8	15.9	22.4	29.9	20.5	16.3
DLN 5-4	DLN 5-R4	5/16	7.94	1/4	6.4	7.1	5/8	15.9	22.4	29.9	25.5	16.3
DLN 5-6	DLN 5-R6	5/16	7.94	3/8	6.4	10.4	11/16	17.5	24.0	31.5	28.5	16.3
	DLN 5-R8	5/16	7.94	1/2	6.4	12.7	13/16	20.6	25.4	32.9	32.0	16.3
DLN 6-2	DLN 6-R2	3/8	9.53	1/8	7.1	4.8	5/8	15.9	23.0	30.5	20.5	17.0
DLN 6-4	DLN 6-R4	3/8	9.53	1/4	7.1	6.0	5/8	15.9	23.0	30.5	25.5	17.0
DLN 6-6	DLN 6-R6	3/8	9.53	3/8	7.1	10.4	11/16	17.5	24.0	31.5	28.5	17.0
DLN 6-8	DLN 6-R8	3/8	9.53	1/2	7.1	12.7	13/16	20.6	26.2	33.7	32.0	17.0
DLN 6-12		3/8	9.53	3/4	7.1	18.3	1-1/16	27.0	28.2	35.7	35.5	17.0
	DLN 6-R12	3/8	9.53	3/4	7.1	18.3	1-1/16	27.0	28.2	35.7	37.5	17.0
DLN 8-2	DLN 8-R2	1/2	12.7	1/8	10.4	4.8	13/16	20.6	25.0	35.3	23.5	23.0
DLN 8-4	DLN 8-R4	1/2	12.7	1/4	10.4	7.1	13/16	20.6	25.0	35.3	27.5	23.0
DLN 8-6	DLN 8-R6	1/2	12.7	3/8	10.4	10.4	13/16	20.6	25.0	35.3	27.5	23.0
DLN 8-8	DLN 8-R8	1/2	12.7	1/2	10.4	12.7	13/16	20.6	26.2	36.5	33.5	23.0
DLN 8-12		1/2	12.7	3/4	10.4	18.3	1-1/16	27.0	28.2	38.5	35.5	23.0
	DLN 8-R12	1/2	12.7	3/4	10.4	18.3	1-1/16	27.0	28.2	38.5	37.5	23.0
DLN 8-16	DLN 8-R16	1/2	12.7	1	10.4	22.5	1-5/16	33.3	31.8	42.1	46.7	23.0
DLN 10-4		5/8	15.88	1/4	12.7	7.1	15/16	23.8	27.0	37.3	29.5	24.6
DLN 10-6	DLN 10-R6	5/8	15.88	3/8	12.7	10.4	15/16	23.8	27.0	37.3	29.5	24.6
DLN 10-8	DLN 10-R8	5/8	15.88	1/2	12.7	12.7	15/16	23.8	27.0	37.3	34.0	24.6
DLN 10-12	DLN 10-R12	5/8	15.88	3/4	12.7	18.3	1-1/16	27.0	28.2	38.5	37.5	24.6
DLN 12-4	DLN 12-R4	3/4	19.05	1/4	15.8	7.1	1-1/16	27.0	28.2	38.5	30.5	24.6
DLN 12-6		3/4	19.05	3/8	15.8	10.4	1-1/16	27.0	28.2	38.5	30.5	24.6
DLN 12-8	DLN 12-R8	3/4	19.05	1/2	15.8	12.7	1-1/16	27.0	28.2	38.5	35.5	24.6
DLN 12-12		3/4	19.05	3/4	15.8	18.3	1-1/16	27.0	28.2	38.5	35.5	24.6
	DLN 12-R12	3/4	19.05	3/4	15.8	18.3	1-1/16	27.0	28.2	38.5	37.5	24.6
DLN 12-16	DLN 12-R16	3/4	19.05	1	15.8	22.5	1-5/16	33.3	31.8	42.1	46.7	24.6
DLN 14-12		7/8	22.23	3/4	18.3	18.3	1-1/4	31.8	32.5	42.7	42.0	26.1
	DLN 14-R12	7/8	22.23	3/4	18.3	18.3	1-1/4	31.8	32.5	42.7	44.0	26.1
DLN 16-8	DLN 16-R8	1	25.4	1/2	22.5	12.7	1-5/16	33.3	33.3	45.9	42.0	31.6
DLN 16-12		1	25.4	3/4	22.5	18.3	1-5/16	33.3	33.3	45.9	42.0	31.6
	DLN 16-R12	1	25.4	3/4	22.5	18.3	1-5/16	33.3	33.3	45.9	44.0	31.6
DLN 16-16	DLN 16-R16	1	25.4	1	22.5	22.5	1-5/16	33.3	33.3	45.9	46.7	31.6



H : See dimensional data(Last page)

Part No.		A(Tube O. D)		T	E	E ₁	h(Flat)		ℓ	L	L ₁	F
ANSI NPT	ISO/JIS R	in	mm	NPT/R	mm	mm	in	mm	mm	mm	mm	mm
DTK 1-2		1/16	1.59	1/8	1.3	4.8	7/16	11.1	14.2	18.2	18.5	8.9
DTK 2-2	DTK 2-R2	1/8	3.18	1/8	2.3	4.8	7/16	11.1	16.8	23.5	18.5	13.0
DTK 2-4	DTK 2-R4	1/8	3.18	1/4	2.3	4.8	1/2	12.7	18.3	25.0	24.0	13.0
DTK 3-2	DTK 3-R2	3/16	4.76	1/8	3.0	4.8	1/2	12.7	19.0	25.7	19.0	13.8
DTK 4-2	DTK 4-R2	1/4	6.35	1/8	4.8	4.8	1/2	12.7	20.0	27.5	19.0	15.4
DTK 4-4	DTK 4-R4	1/4	6.35	1/4	4.8	6.0	1/2	12.7	20.0	27.5	24.0	15.4
DTK 4-6	DTK 4-R6	1/4	6.35	3/8	4.8	9.4	11/16	17.5	22.5	30.0	28.5	15.4
DTK 5-2	DTK 5-R2	5/16	7.94	1/8	6.4	4.8	5/8	15.9	22.4	29.9	20.5	16.3
DTK 5-4	DTK 5-R4	5/16	7.94	1/4	6.4	7.1	5/8	15.9	22.4	29.9	25.5	16.3
	DTK 5-R6	5/16	7.94	3/8	6.4	10.4	11/16	17.5	24.0	31.5	28.5	16.3
DTK 6-2	DTK 6-R2	3/8	9.53	1/8	7.1	4.8	5/8	15.9	23.0	30.5	20.5	17.0
DTK 6-4		3/8	9.53	1/4	7.1	7.1	5/8	15.9	23.0	30.5	25.5	17.0
DTK 6-6	DTK 6-R4	3/8	9.53	1/4	7.1	6.0	5/8	15.9	23.0	30.5	25.5	17.0
	DTK 6-R6	3/8	9.53	3/8	7.1	9.4	11/16	17.5	24.0	31.5	28.5	17.0
DTK 8-4	DTK 8-R4	1/2	12.7	1/4	10.4	7.1	13/16	20.6	25.0	35.3	27.5	23.0
DTK 8-6	DTK 8-R6	1/2	12.7	3/8	10.4	10.4	13/16	20.6	25.0	35.3	27.5	23.0
DTK 8-8	DTK 8-R8	1/2	12.7	1/2	10.4	12.7	13/16	20.6	26.2	36.5	33.5	23.0
DTK 10-8	DTK 10-R8	5/8	15.88	1/2	12.7	12.7	15/16	23.8	27.0	37.3	34.0	24.6
DTK 12-8 DTK 12-12	DTK 12-R4	3/4	19.05	1/4	15.8	7.1	1-1/16	27.0	28.2	38.5	30.5	24.6
	DTK 12-R8	3/4	19.05	1/2	15.8	12.7	1-1/16	27.0	28.2	38.5	35.5	24.6
	DTK 12-R12	3/4	19.05	3/4	15.8	18.3	1-1/16	27.0	28.2	38.5	35.5	24.6
DTK 14-12	DTK 14-R8	7/8	22.23	1/2	18.3	12.7	1-1/4	31.8	32.5	42.7	42.0	26.1
		7/8	22.23	3/4	18.3	18.3	1-1/4	31.8	32.5	42.7	42.0	26.1
DTK 16-16		1	25.4	1	22.5	22.5	1-5/16	33.3	33.3	45.9	46.7	31.6

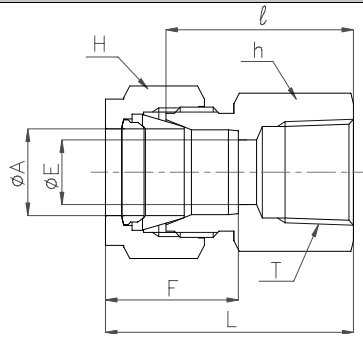
BI-LoK	DTN	Male Branch Tee Fractional tube to female tapered pipe thread
---------------	------------	---



H : See dimensional data(Last page)

Part No.		A (Tube O.D)		T	E	E ₁	h (Flat)		l	L	L ₁	F
ANSI NPT	ISO/JIS R	in	mm	NPT/R	mm	mm	in	mm	mm	mm	mm	mm
DTN 2-2	DTN 2-R2	1/8	3.18	1/8	2.3	4.8	7/16	11.1	16.8	23.5	18.5	13.0
DTN 2-4	DTN 2-R4	1/8	3.18	1/4	2.3	4.8	1/2	12.7	18.3	25.0	24.0	13.0
DTN 3-2	DTN 3-R2	3/16	4.76	1/8	3.0	4.8	1/2	12.7	19.0	25.7	19.0	13.8
DTN 4-2	DTN 4-R2	1/4	6.35	1/8	4.8	4.8	1/2	12.7	20.0	27.5	19.0	15.4
DTN 4-4	DTN 4-R4	1/4	6.35	1/4	4.8	6.0	1/2	12.7	20.0	27.5	24.0	15.4
DTN 4-6	DTN 4-R6	1/4	6.35	3/8	4.8	9.4	11/16	17.5	22.5	30.0	28.5	15.4
DTN 4-8		1/4	6.35	1/2	4.8	10.4	13/16	20.6	24.5	32.0	33.5	15.4
DTN 5-2	DTN 5-R2	5/16	7.94	1/8	6.4	4.8	5/8	15.9	22.4	29.9	20.5	16.3
DTN 5-4	DTN 5-R4	5/16	7.94	1/4	6.4	7.1	5/8	15.9	22.4	29.9	25.5	16.3
	DTN 5-R6	5/16	7.94	3/8	6.4	10.4	11/16	17.5	24.0	31.5	28.5	16.3
DTN 6-2	DTN 6-R2	3/8	9.53	1/8	7.1	4.8	5/8	15.9	23.0	30.5	20.5	17.0
DTN 6-4		3/8	9.53	1/4	7.1	7.1	5/8	15.9	23.0	30.5	25.5	17.0
	DTN 6-R4	3/8	9.53	1/4	7.1	6.0	5/8	15.9	23.0	30.5	25.5	17.0
DTN 6-6	DTN 6-R6	3/8	9.53	3/8	7.1	9.4	11/16	17.5	24.0	31.5	28.5	17.0
DTN 6-8	DTN 6-R8	3/8	9.53	1/2	7.1	12.7	13/16	20.6	26.2	33.7	32.0	17.0
DTN 8-4	DTN 8-R4	1/2	12.7	1/4	10.4	7.1	13/16	20.6	25.0	35.3	27.5	23.0
DTN 8-6	DTN 8-R6	1/2	12.7	3/8	10.4	10.4	13/16	20.6	25.0	35.3	27.5	23.0
DTN 8-8	DTN 8-R8	1/2	12.7	1/2	10.4	12.7	13/16	20.6	26.2	36.5	33.5	23.0
DTN 8-12		1/2	12.7	3/4	10.4	18.3	1-1/16	27.0	28.2	38.5	35.5	23.0
DTN 10-8	DTN 10-R8	5/8	15.88	1/2	12.7	12.7	15/16	23.8	27.0	37.3	34.0	24.6
	DTN 12-R4	3/4	19.05	1/4	15.8	7.1	1-1/16	27.0	28.2	38.5	30.5	24.6
	DTN 12-R6	3/4	19.05	3/8	15.8	10.4	1-1/16	27.0	28.2	38.5	32.0	24.6
DTN 12-8	DTN 12-R8	3/4	19.05	1/2	15.8	12.7	1-1/16	27.0	28.2	38.5	35.5	24.6
DTN 12-12		3/4	19.05	3/4	15.8	18.3	1-1/16	27.0	28.2	38.5	35.5	24.6
	DTN 12-R12	3/4	19.05	3/4	15.8	18.3	1-1/16	27.0	28.2	38.5	37.5	24.6
	DTN 12-R16	3/4	19.05	1	15.8	22.5	1-5/16	33.3	31.8	42.1	46.7	24.6
DTN 14-12		7/8	22.23	3/4	18.3	18.3	1-1/4	31.8	32.5	42.7	42.0	26.1
DTN 16-16	DTN 16-R16	1	25.4	1	22.5	22.5	1-5/16	33.3	33.3	45.9	46.7	31.6

BI-LoK	DSA	Female Connector Connects fractional tube to male tapered pipe thread
---------------	------------	---

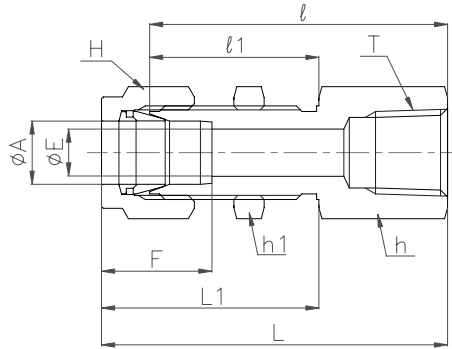


H : See dimensional data(Last page)

Part No.		A(Tube O.D)		T	E	h(HEX)		ℓ	L	F
ANSI NPT	ISO/JIS Rc	in	mm	NPT/Rc	mm	in	mm	mm	mm	mm
DSA 1-2		1/16	1.59	1/8	1.3	9/16	14.29	20.8	24.8	8.9
DSA 1-4		1/16	1.59	1/4	1.3	3/4	19.05	27.0	31.0	8.9
DSA 2-2	DSA 2-R2	1/8	3.18	1/8	2.3	9/16	14.29	22.5	29.2	13.0
DSA 2-4	DSA 2-R4	1/8	3.18	1/4	2.3	3/4	19.05	27.0	33.7	13.0
	DSA 2-R6	1/8	3.18	3/8	2.3	7/8	22.23	29.7	36.4	13.0
DSA 2-8		1/8	3.18	1/2	2.3	1-1/16	26.99	34.0	40.7	13.0
DSA 3-2	DSA 3-R2	3/16	4.76	1/8	3.0	9/16	14.29	23.0	29.7	13.8
	DSA 3-R4	3/16	4.76	1/4	3.0	3/4	19.05	28.0	34.7	13.8
DSA 4-1		1/4	6.35	1/16	4.8	1/2	12.7	24.0	31.5	15.4
DSA 4-2	DSA 4-R2	1/4	6.35	1/8	4.8	9/16	14.29	24.0	31.5	15.4
DSA 4-4	DSA 4-R4	1/4	6.35	1/4	4.8	3/4	19.05	28.5	36.0	15.4
DSA 4-6		1/4	6.35	3/8	4.8	7/8	22.23	30.3	37.8	15.4
	DSA 4-R6	1/4	6.35	3/8	4.8	7/8	22.23	31.3	38.8	15.4
DSA 4-8	DSA 4-R8	1/4	6.35	1/2	4.8	1-1/16	26.99	35.8	43.3	15.4
DSA 4-12		1/4	6.35	3/4	4.8	1-5/16	33.34	37.8	45.3	15.4
DSA 5-2	DSA 5-R2	5/16	7.94	1/8	6.4	9/16	14.29	24.7	32.2	16.3
DSA 5-4	DSA 5-R4	5/16	7.94	1/4	6.4	3/4	19.05	29.5	37.0	16.3
	DSA 5-R6	5/16	7.94	3/8	6.4	7/8	22.23	32.1	39.6	16.3
DSA 5-8	DSA 5-R8	5/16	7.94	1/2	6.4	1-1/16	26.99	36.6	44.1	16.3
DSA 6-2	DSA 6-R2	3/8	9.53	1/8	7.1	5/8	15.88	25.4	32.9	17.0
DSA 6-4	DSA 6-R4	3/8	9.53	1/4	7.1	3/4	19.05	30.2	37.7	17.0
DSA 6-6		3/8	9.53	3/8	7.1	7/8	22.23	31.9	39.4	17.0
	DSA 6-R6	3/8	9.53	3/8	7.1	7/8	22.23	32.9	40.4	17.0
DSA 6-8	DSA 6-R8	3/8	9.53	1/2	7.1	1-1/16	26.99	36.5	44.0	17.0
	DSA 6-R12	3/8	9.53	3/4	7.1	1-5/16	33.34	40.3	47.8	17.0
DSA 6-16		3/8	9.53	1	7.1	1-5/8	41.28	47.6	55.1	17.0
DSA 8-2	DSA 8-R2	1/2	12.7	1/8	10.4	13/16	20.64	25.4	35.7	23.0
DSA 8-4	DSA 8-R4	1/2	12.7	1/4	10.4	13/16	20.64	31.9	42.2	23.0
DSA 8-6		1/2	12.7	3/8	10.4	7/8	22.23	31.9	42.2	23.0
	DSA 8-R6	1/2	12.7	3/8	10.4	7/8	22.23	32.9	43.2	23.0
DSA 8-8	DSA 8-R8	1/2	12.7	1/2	10.4	1-1/16	26.99	36.6	46.9	23.0
DSA 8-12		1/2	12.7	3/4	10.4	1-5/16	33.34	38.1	48.4	23.0
	DSA 8-R12	1/2	12.7	3/4	10.4	1-5/16	33.34	39.1	49.4	23.0
	DSA 8-R16	1/2	12.7	1	10.4	1-5/8	41.28	47.6	57.9	23.0
DSA 10-6	DSA 10-R6	5/8	15.88	3/8	12.7	15/16	23.81	32.0	42.3	24.6
DSA 10-8	DSA 10-R8	5/8	15.88	1/2	12.7	1-1/16	26.99	36.6	46.9	24.6
DSA 10-12		5/8	15.88	3/4	12.7	1-5/16	33.34	38.1	48.4	24.6
DSA 12-6	DSA 12-R4	3/4	19.05	1/4	15.8	1-1/16	26.99	31.8	42.1	24.6
		3/4	19.05	3/8	15.8	1-1/16	26.99	34.0	44.3	24.6
DSA 12-8	DSA 12-R8	3/4	19.05	1/2	15.8	1-1/16	26.99	36.6	46.9	24.6
DSA 12-12		3/4	19.05	3/4	15.8	1-5/16	33.34	38.1	48.4	24.6
	DSA 12-R12	3/4	19.05	3/4	15.8	1-5/16	33.34	40.1	50.4	24.6
DSA 12-16		3/4	19.05	1	15.8	1-5/8	41.28	47.6	57.9	24.6

Part No.		A (Tube O. D)		T	E	h (HEX)		ℓ	L	F
ANSI NPT	ISO/JIS R _c	in	mm	NPT/R _c	mm	in	mm	mm	mm	mm
DSA 14-12	DSA 14-R12	7/8	22.23	3/4	18.3	1-5/16	33.34	40.0	50.2	26.1
		7/8	22.23	3/4	18.3	1-5/16	33.34	41.0	51.2	26.1
DSA 16-8	DSA 16-R12 DSA 16-R16	1	25.4	1/2	22.5	1-3/8	34.93	41.1	53.7	31.6
DSA 16-12		1	25.4	3/4	22.5	1-3/8	34.93	41.1	53.7	31.6
		1	25.4	3/4	22.5	1-3/8	34.93	42.1	54.7	31.6
DSA 16-16		1	25.4	1	22.5	1-5/8	41.28	50.0	62.6	31.6

BI-LoK	DSS	Bulkhead Female Connector Connects fractional tube to male NPT thread
---------------	------------	--



H : See dimensional data (Last page)

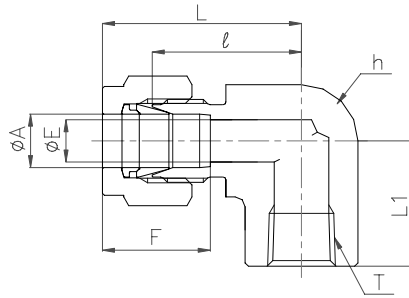
Part No.	A (Tube O. D)		T	E	h (HEX)		h ₁ (HEX)		ℓ	ℓ ₁	L	L ₁	F	Panel	
	in	mm	NPT	mm	in	mm	in	mm	mm	mm	mm	mm	mm	Hole	Thick
DSS 2-2	1/8	3.18	1/8	2.3	9/16	14.29	1/2	12.7	38.0	24.6	44.7	31.3	13.0	8.3	12.7
DSS 4-2	1/4	6.35	1/8	4.8	5/8	15.88	5/8	15.88	39.5	26.0	47.0	33.5	15.4	11.5	10.2
DSS 4-4	1/4	6.35	1/4	4.8	3/4	19.05	5/8	15.88	44.5	26.0	52.0	33.5	15.4	11.5	10.2
DSS 5-4	5/16	7.94	1/4	6.4	3/4	19.05	11/16	17.46	46.9	28.5	54.4	36.0	16.3	13.1	10.9
DSS 6-4	3/8	9.53	1/4	7.1	3/4	19.05	3/4	19.05	48.0	29.5	55.5	37.0	17.0	14.7	11.2
DSS 6-6	3/8	9.53	3/8	7.1	7/8	22.23	3/4	19.05	49.0	29.5	56.5	37.0	17.0	14.7	11.2
DSS 6-8	3/8	9.53	1/2	7.1	1-1/16	26.99	3/4	19.05	54.1	29.5	61.6	37.0	17.0	14.7	11.2
DSS 8-6	1/2	12.7	3/8	10.4	15/16	23.81	15/16	23.81	51.5	32.0	61.8	42.3	23.0	19.4	12.7
DSS 8-8	1/2	12.7	1/2	10.4	1-1/16	26.99	15/16	23.81	56.5	32.0	66.8	42.3	23.0	19.4	12.7
DSS12-8	3/4	19.05	1/2	15.8	1-1/16	26.99	1-3/16	30.16	62.0	37.3	72.3	47.6	24.6	25.8	16.8

BI-LoK	DSS	Bulkhead Female Connector Connects fractional tube to male ISO tapered pipe thread
---------------	------------	---

H : See dimensional data (Last page)

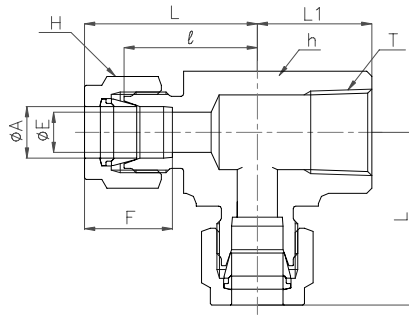
Part No.	A (Tube O. D)		T	E	h (HEX)		h ₁ (HEX)		ℓ	ℓ ₁	L	L ₁	F	Panel	
	in	mm	R _c	mm	in	mm	in	mm	mm	mm	mm	mm	mm	Hole	Thick
DSS 2-R2	1/8	3.18	1/8	2.3	9/16	14.29	1/2	12.7	38.0	24.6	44.7	31.3	13.0	8.3	12.7
DSS 4-R2	1/4	6.35	1/8	4.8	5/8	15.88	5/8	15.88	39.5	26.0	47.0	33.5	15.4	11.5	10.2
DSS 4-R4	1/4	6.35	1/4	4.8	3/4	19.05	5/8	15.88	44.5	26.0	52.0	33.5	15.4	11.5	10.2
DSS 4-R6	1/4	6.35	3/8	4.8	7/8	22.23	5/8	15.88	47.0	26.0	54.5	33.5	15.4	11.5	10.2
DSS 5-R4	5/16	7.94	1/4	6.4	3/4	19.05	11/16	17.46	46.9	28.5	54.4	36.0	16.3	13.1	10.9
DSS 6-R4	3/8	9.53	1/4	7.1	3/4	19.05	3/4	19.05	48.0	29.5	55.5	37.0	17.0	14.7	11.2
DSS 6-R6	3/8	9.53	3/8	7.1	7/8	22.23	3/4	19.05	50.0	29.5	57.5	37.0	17.0	14.7	11.2
DSS 6-R8	3/8	9.53	1/2	7.1	1-1/16	26.99	3/4	19.05	54.1	29.5	61.6	37.0	17.0	14.7	11.2
DSS 8-R4	1/2	12.7	1/4	10.4	13/16	20.64	15/16	23.81	51.5	32.0	61.8	42.3	23.0	19.4	12.7
DSS 8-R6	1/2	12.7	3/8	10.4	15/16	23.81	15/16	23.81	52.5	32.0	62.8	42.3	23.0	19.4	12.7
DSS 8-R8	1/2	12.7	1/2	10.4	1-1/16	26.99	15/16	23.81	56.5	32.0	66.8	42.3	23.0	19.4	12.7
DSS10-R8	5/8	15.88	1/2	12.7	1-1/16	26.99	1-1/16	26.99	57.1	32.5	67.4	42.8	24.6	22.6	12.7

BI-LoK	D L F	Female Elbow Connects fractional tube to male tapered pipe thread
---------------	--------------	---



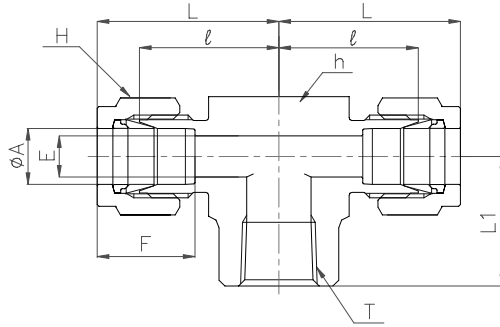
H : See dimensional data(Last page)

Part No.		A(Tube O. D)		T	E	h(Flat)		ℓ	L	L ₁	F
ANSI NPT	ISO/JIS Rc	in	mm	NPT/Rc	mm	in	mm	mm	mm	mm	mm
DLF 2-2	DLF 2-R2	1/8	3.18	1/8	2.3	5/8	15.9	17.5	24.2	19.0	13.0
DLF 2-4	DLF 2-R4	1/8	3.18	1/4	2.3	13/16	20.6	20.5	27.2	22.5	13.0
DLF 3-2	DLF 3-R2	3/16	4.76	1/8	3.0	5/8	15.9	18.3	25.0	19.0	13.8
DLF 4-2	DLF 4-R2	1/4	6.35	1/8	4.8	5/8	15.9	19.0	26.5	19.0	15.4
DLF 4-4	DLF 4-R4	1/4	6.35	1/4	4.8	13/16	20.6	22.5	30.0	22.5	15.4
DLF 4-6	DLF 4-R6	1/4	6.35	3/8	4.8	15/16	23.8	24.7	32.2	22.5	15.4
DLF 4-8	DLF 4-R8	1/4	6.35	1/2	4.8	1-1/16	27.0	28.2	35.7	28.5	15.4
DLF 5-2	DLF 5-R2	5/16	7.94	1/8	6.4	5/8	15.9	22.5	29.9	19.0	16.3
DLF 5-4	DLF 5-R4	5/16	7.94	1/4	6.4	13/16	20.6	23.1	30.6	22.5	16.3
	DLF 5-R6	5/16	7.94	3/8	6.4	15/16	23.8	26.2	33.7	22.5	16.3
DLF 6-2	DLF 6-R2	3/8	9.53	1/8	7.1	5/8	15.9	23.0	30.5	19.0	17.0
DLF 6-4	DLF 6-R4	3/8	9.53	1/4	7.1	13/16	20.6	24.0	31.5	22.5	17.0
DLF 6-6	DLF 6-R6	3/8	9.53	3/8	7.1	15/16	23.8	26.2	33.7	22.5	17.0
DLF 6-8	DLF 6-R8	3/8	9.53	1/2	7.1	1-1/16	27.0	28.2	36.0	28.5	17.0
DLF 8-4	DLF 8-R2	1/2	12.7	1/8	10.4	13/16	20.6	25.0	35.3	22.5	23.0
	DLF 8-R4	1/2	12.7	1/4	10.4	13/16	20.6	25.0	35.3	22.5	23.0
DLF 8-6	DLF 8-R6	1/2	12.7	3/8	10.4	15/16	23.8	26.2	36.5	22.5	23.0
DLF 8-8	DLF 8-R8	1/2	12.7	1/2	10.4	1-1/16	27.0	28.2	38.5	28.5	23.0
DLF 8-12		1/2	12.7	3/4	10.4	1-5/16	33.3	31.8	42.3	31.8	23.0
DLF 10-6	DLF 10-R6	5/8	15.88	3/8	12.7	15/16	23.8	27.0	37.2	22.5	24.6
DLF 10-8	DLF 10-R8	5/8	15.88	1/2	12.7	1-1/16	27.0	28.2	38.5	28.5	24.6
DLF 12-8	DLF 12-R6	3/4	19.05	3/8	15.8	1-1/16	27.0	28.2	38.5	28.5	24.6
	DLF 12-R8	3/4	19.05	1/2	15.8	1-1/16	27.0	28.2	38.5	28.5	24.6
DLF 12-12	DLF 12-R12	3/4	19.05	3/4	15.8	1-5/16	33.3	31.8	42.1	31.8	24.6
DLF 14-12	DLF 14-R12	7/8	22.23	3/4	18.3	1-5/16	33.3	32.5	42.7	31.8	26.1
DLF 16-6		1	25.4	3/8	22.5	1-5/16	33.3	33.3	45.9	28.5	31.6
DLF 16-12	DLF 16-R12	1	25.4	3/4	22.5	1-5/16	33.3	33.3	45.9	33.3	31.6
DLF 16-16	DLF 16-R16	1	25.4	1	22.5	1-13/16	46.0	40.0	52.6	38.1	31.6

BI-LoK**DTF****Female Run Tee**
Connects fractional tube to male tapered pipe thread

H : See dimensional data(Last page)

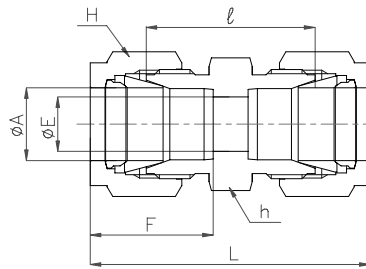
Part No.		A(Tube O. D)		T	E	h(Flat)		ℓ	L	L ₁	F
ANSI NPT	ISO/JIS Rc	in	mm	NPT/Rc	mm	in	mm	mm	mm	mm	mm
	DTF 1-R2	1/16	1.59	1/8	1.3	5/8	15.9	17.5	21.5	19.0	8.9
DTF 2-2	DTF 2-R2	1/8	3.18	1/8	2.3	5/8	15.9	17.5	24.2	19.0	13.0
DTF 4-2	DTF 4-R2	1/4	6.35	1/8	4.8	5/8	15.9	19.0	26.5	19.0	15.4
DTF 4-4	DTF 4-R4	1/4	6.35	1/4	4.8	13/16	20.6	22.5	30.0	22.5	15.4
DTF 5-2		5/16	7.94	1/8	6.4	5/8	15.9	22.5	29.9	19.0	16.3
DTF 5-4	DTF 5-R4	5/16	7.94	1/4	6.4	13/16	20.6	23.1	30.6	22.5	16.3
	DTF 6-R2	3/8	9.53	1/8	7.1	5/8	15.9	23.0	30.5	19.0	17.0
DTF 6-4	DTF 6-R4	3/8	9.53	1/4	7.1	13/16	20.6	24.0	31.5	22.5	17.0
DTF 6-6	DTF 6-R6	3/8	9.53	3/8	7.1	15/16	23.8	26.2	33.7	22.5	17.0
	DTF 8-R2	1/2	12.7	1/8	10.4	13/16	20.6	25.0	35.3	22.5	23.0
	DTF 8-R4	1/2	12.7	1/4	10.4	13/16	20.6	25.0	35.3	22.5	23.0
DTF 8-6	DTF 8-R6	1/2	12.7	3/8	10.4	15/16	23.8	26.2	36.5	22.5	23.0
DTF 8-8	DTF 8-R8	1/2	12.7	1/2	10.4	1-1/16	27.0	28.2	38.8	28.5	23.0
	DTF10-R2	5/8	15.88	1/8	12.7	15/16	23.8	27.0	37.3	22.5	24.6
DTF10-8	DTF10-R8	5/8	15.88	1/2	12.7	1-1/16	27.0	28.2	38.8	28.5	24.6
	DTF12-R4	3/4	19.05	1/4	15.8	1-1/16	27.0	28.2	38.6	28.5	24.6
	DTF12-R8	3/4	19.05	1/2	15.8	1-1/16	27.0	28.2	38.6	28.5	24.6
DTF12-12	DTF12-R12	3/4	19.05	3/4	15.8	1-5/16	33.3	31.8	42.1	31.8	24.6
	DTF14-R8	7/8	22.23	1/2	18.3	1-1/4	31.8	32.5	42.7	32.5	26.1
	DTF16-R2	1	25.4	1/8	22.5	1-5/16	33.3	33.3	45.9	28.5	31.6
	DTF16-R4	1	25.4	1/4	22.5	1-5/16	33.3	33.3	45.9	28.5	31.6
	DTF16-R8	1	25.4	1/2	22.5	1-5/16	33.3	33.3	45.9	33.3	31.6
	DTF16-R16	1	25.4	1	22.5	1-7/8	47.6	38.6	51.2	38.1	31.6



H : See dimensional data(Last page)

Part No.		A(Tube O. D)		T	E	h(Flat)		l	L	L ₁	F
ANSI NPT	ISO/JIS Rc	in	mm	NPT/Rc	mm	in	mm	mm	mm	mm	mm
DTH 2-2	DTH 2-R2	1/8	3.18	1/8	2.3	5/8	15.9	17.5	24.2	19.0	13.0
DTH 2-4	DTH 2-R6	1/8	3.18	1/4	2.3	13/16	20.6	20.5	27.2	22.5	13.0
		1/8	3.18	3/8	2.3	13/16	20.6	26.2	32.9	22.5	13.0
DTH 4-2	DTH 4-R2	1/4	6.35	1/8	4.8	5/8	15.9	19.0	26.5	19.0	15.4
DTH 4-4	DTH 4-R4	1/4	6.35	1/4	4.8	13/16	20.6	22.5	30.0	22.5	15.4
	DTH 4-R6	1/4	6.35	3/8	4.8	15/16	23.8	24.7	32.2	22.5	15.4
	DTH 4-R8	1/4	6.35	1/2	4.8	1-1/16	27.0	28.2	35.7	28.5	15.4
	DTH 5-R4	5/16	7.94	1/4	6.4	13/16	20.6	23.1	30.6	22.5	16.3
DTH 6-2	DTH 6-R2	3/8	9.53	1/8	7.1	5/8	15.9	23.0	30.5	19.0	17.0
DTH 6-4	DTH 6-R4	3/8	9.53	1/4	7.1	13/16	20.6	24.0	31.5	22.5	17.0
DTH 6-6	DTH 6-R6	3/8	9.53	3/8	7.1	15/16	23.8	26.2	33.7	22.5	17.0
	DTH 6-R8	3/8	9.53	1/2	7.1	1-1/16	27.0	28.2	36.0	28.5	17.0
DTH 8-4	DTH 8-R2	1/2	12.7	1/8	10.4	13/16	20.6	25.0	35.3	22.5	23.0
	DTH 8-R4	1/2	12.7	1/4	10.4	13/16	20.6	25.0	35.3	22.5	23.0
DTH 8-6	DTH 8-R6	1/2	12.7	3/8	10.4	15/16	23.8	26.2	36.5	22.5	23.0
DTH 8-8	DTH 8-R8	1/2	12.7	1/2	10.4	1-1/16	27.0	28.2	38.8	28.5	23.0
	DTH 8-R12	1/2	12.7	3/4	10.4	1-5/16	33.3	31.8	42.1	31.8	23.0
DTH10-6	DTH10-R2	5/8	15.88	1/8	12.7	15/16	23.8	27.0	37.3	22.5	24.6
	DTH10-R6	5/8	15.88	3/8	12.7	15/16	23.8	27.0	37.3	22.5	24.6
DTH10-8	DTH10-R8	5/8	15.88	1/2	12.7	1-1/16	27.0	28.2	38.5	28.5	24.6
DTH12-8	DTH12-R2	3/4	19.05	1/8	15.8	1-1/16	27.0	28.2	38.5	28.5	24.6
	DTH12-R4	3/4	19.05	1/4	15.8	1-1/16	27.0	28.2	38.5	28.5	24.6
	DTH12-R6	3/4	19.05	3/8	15.8	1-1/16	27.0	28.2	38.5	28.5	24.6
	DTH12-R8	3/4	19.05	1/2	15.8	1-1/16	27.0	28.2	38.5	28.5	24.6
DTH12-12	DTH12-R12	3/4	19.05	3/4	15.8	1-5/16	33.3	31.8	42.1	31.8	24.6
DTH14-12		7/8	22.23	3/4	18.3	1-5/16	33.3	32.5	42.7	31.8	31.6
DTH16-16	DTH16-R12	1	25.4	3/4	22.5	1-5/16	33.3	33.3	45.9	31.8	31.6
	DTH16-R16	1	25.4	1	22.5	1-7/8	47.6	38.6	51.2	38.1	31.6

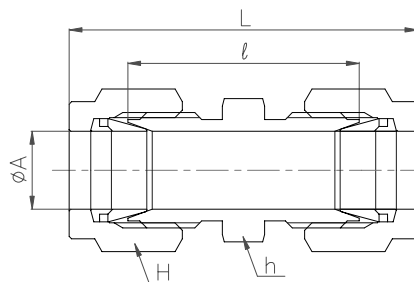
BI-LoK	DUA	Union Connects fractional tubes
---------------	------------	---



H : See dimensional data(Last page)

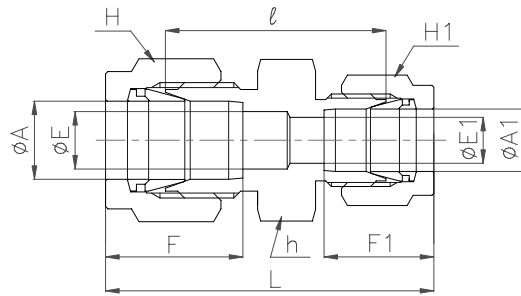
Part No.	A(Tube O. D)		E	h(HEX)		l	L	F
	in	mm	mm	in	mm	mm	mm	mm
DUA 1	1/16	1.59	1.3	5/16	7.94	17.5	25.5	8.9
DUA 2	1/8	3.18	2.3	7/16	11.11	22.4	35.8	13.0
DUA 3	3/16	4.76	3.0	7/16	11.11	24.0	37.4	13.8
DUA 4	1/4	6.35	4.8	1/2	12.7	26.1	41.1	15.4
DUA 5	5/16	7.94	6.4	9/16	14.29	28.0	43.0	16.3
DUA 6	3/8	9.53	7.1	5/8	15.88	30.2	45.2	17.0
DUA 8	1/2	12.7	10.4	13/16	20.64	31.0	51.6	23.0
DUA 10	5/8	15.88	12.7	15/16	23.81	31.8	52.4	24.6
DUA 12	3/4	19.05	15.8	1-1/16	26.99	33.3	53.9	24.6
DUA 14	7/8	22.23	18.3	1-3/16	30.16	35.0	55.9	26.1
DUA 16	1	25.4	22.5	1-3/8	34.93	40.5	65.7	31.6

BI-LoK	DUAZ	Union / Bored-through Connects fractional tubes
---------------	-------------	---



Part No.	A(Tube O. D)		h(HEX)		H(HEX)		l	L
	in	mm	in	mm	in	mm	mm	mm
DUAZ 1	1/16	1.59	5/16	7.94	5/16	7.94	17.5	25.5
DUAZ 2	1/8	3.18	7/16	11.11	7/16	11.11	22.4	35.8
DUAZ 3	3/16	4.76	7/16	11.11	1/2	12.7	24.0	37.4
DUAZ 4	1/4	6.35	1/2	12.7	9/16	14.29	26.1	41.1
DUAZ 5	5/16	7.94	9/16	14.29	5/8	15.88	28.0	43.0
DUAZ 6	3/8	9.53	5/8	15.88	11/16	17.46	30.2	45.2
DUAZ 8	1/2	12.7	13/16	20.64	7/8	22.23	31.0	51.6
DUAZ 10	5/8	15.88	15/16	23.81	1	25.4	31.8	52.4
DUAZ 12	3/4	19.05	1-1/16	26.99	1-1/8	28.58	33.3	53.9
DUAZ 14	7/8	22.23	1-3/16	30.16	1-1/4	31.75	35.0	55.9
DUAZ 16	1	25.4	1-3/8	34.93	1-1/2	38.1	40.5	65.7

BI-LoK	DUR	Reducing Union Connects fractional tubes
---------------	------------	---



H, H₁ : See dimensional data (Last page)

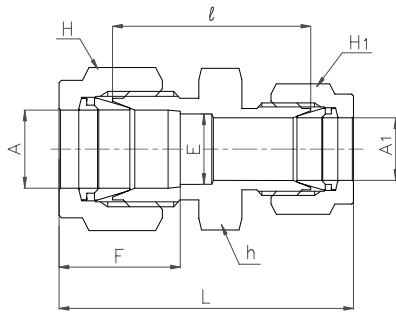
Part No	A (Tube O. D)		A ₁ (Tube O. D)		E	E ₁	h (HEX)		ℓ	L	F	F ₁
	in	mm	in	mm	mm	mm	in	mm	mm	mm	mm	mm
DUR 2-1	1/8	3.18	1/16	1.59	2.3	1.3	7/16	11.11	20.6	31.3	13.0	8.9
DUR 3-1	3/16	4.76	1/16	1.59	3.0	1.3	7/16	11.11	21.6	32.3	13.8	8.9
DUR 3-2	3/16	4.76	1/8	3.18	3.0	2.3	7/16	11.11	23.4	36.8	13.8	13.0
DUR 4-1	1/4	6.35	1/16	1.59	4.8	1.3	1/2	12.7	23.1	34.6	15.4	8.9
DUR 4-2	1/4	6.35	1/8	3.18	4.8	2.3	1/2	12.7	24.6	38.8	15.4	13.0
DUR 4-3	1/4	6.35	3/16	4.76	4.8	3.0	1/2	12.7	25.4	39.6	15.4	13.8
DUR 5-4	5/16	7.94	1/4	6.35	6.4	4.8	9/16	14.29	27.4	42.4	16.3	15.4
DUR 6-1	3/8	9.53	1/16	1.59	7.1	1.3	5/8	15.88	25.4	36.9	17.0	8.9
DUR 6-2	3/8	9.53	1/8	3.18	7.1	2.3	5/8	15.88	27.0	41.2	17.0	13.0
DUR 6-4	3/8	9.53	1/4	6.35	7.1	4.8	5/8	15.88	28.4	43.4	17.0	15.4
DUR 6-5	3/8	9.53	5/16	7.94	7.1	6.4	5/8	15.88	29.5	44.5	17.0	16.3
DUR 8-4	1/2	12.7	1/4	6.35	10.4	4.8	13/16	20.64	29.5	47.3	23.0	15.4
DUR 8-6	1/2	12.7	3/8	9.53	10.4	7.1	13/16	20.64	31.0	48.8	23.0	17.0
DUR 10-6	5/8	15.88	3/8	9.53	12.7	7.1	15/16	23.81	31.8	49.6	24.6	17.0
DUR 10-8	5/8	15.88	1/2	12.7	12.7	10.4	15/16	23.81	31.8	52.4	24.6	23.0
DUR 12-6	3/4	19.05	3/8	9.53	15.8	7.1	1-1/16	26.99	33.3	51.1	24.6	17.0
DUR 12-8	3/4	19.05	1/2	12.7	15.8	10.4	1-1/16	26.99	33.3	53.9	24.6	23.0
DUR 12-10	3/4	19.05	5/8	15.88	15.8	12.7	1-1/16	26.99	33.3	53.9	24.6	24.6
DUR 16-12	1	25.4	3/4	19.05	22.5	15.8	1-3/8	34.93	38.1	61.0	31.6	24.6

BI-LoK	DUR	Reducing Union Connects fractional tube to metric tube
---------------	------------	---

H, H₁ : See dimensional data (Last page)

Part No	A ₁ (Tube O. D)		A	E	E ₁	h (HEX)		ℓ	L	F	F ₁
	in	mm	mm	mm	mm	in	mm	mm	mm	mm	mm
DUR 2-4M	1/8	3.18	4	2.3	2.7	7/16	11.11	24.0	37.5	13.0	13.9
DUR 4-4M	1/4	6.35	4	4.8	2.7	1/2	12.7	27.0	41.3	15.4	13.9
DUR 4-6M	1/4	6.35	6	4.8	4.8	9/16	14.29	27.3	42.3	15.4	15.4
DUR 4-8M	1/4	6.35	8	4.8	6.4	11/16	17.46	28.6	43.6	15.4	16.3
DUR 4-10M	1/4	6.35	10	4.8	7.9	3/4	19.05	30.6	45.9	15.4	17.3
DUR 6-6M	3/8	9.53	6	7.1	4.8	5/8	15.88	28.4	43.3	17.0	15.4
DUR 6-8M	3/8	9.53	8	7.1	6.4	5/8	15.88	29.5	44.5	17.0	16.3
DUR 6-10M	3/8	9.53	10	7.1	7.9	3/4	19.05	32.0	47.3	17.0	17.3
DUR 6-12M	3/8	9.53	12	7.1	9.5	13/16	20.64	32.0	49.7	17.0	22.9
DUR 8-6M	1/2	12.7	6	10.4	4.8	13/16	20.64	30.5	48.3	23.0	15.4
DUR 8-10M	1/2	12.7	10	10.4	7.9	13/16	20.64	32.0	50.1	23.0	17.3
DUR 8-12M	1/2	12.7	12	10.4	9.5	13/16	20.64	32.0	52.5	23.0	22.9

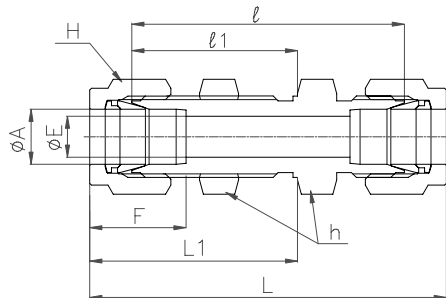
BI-LoK	DURZ	Reducing Union / Bored-through Connects fractional tubes
---------------	-------------	---



H, H₁ : See dimensional data (Last page)

Part No	A (Tube O. D)		A ₁ (Tube O. D)		E	h (HEX)		ℓ	L	F
	in	mm	in	mm	mm	in	mm	mm	mm	mm
DURZ 2-1	1/8	3.18	1/16	1.59	2.3	7/16	11.11	20.6	31.3	13.0
DURZ 4-1	1/4	6.35	1/16	1.59	4.8	1/2	12.7	23.1	34.6	15.4
DURZ 4-2	1/4	6.35	1/8	3.18	4.8	1/2	12.7	24.6	38.8	15.4
DURZ 6-4	3/8	9.53	1/4	6.35	7.1	5/8	15.88	28.4	43.4	17.0
DURZ 8-2	1/2	12.7	1/8	3.18	10.4	13/16	20.64	29.0	49.6	23.0

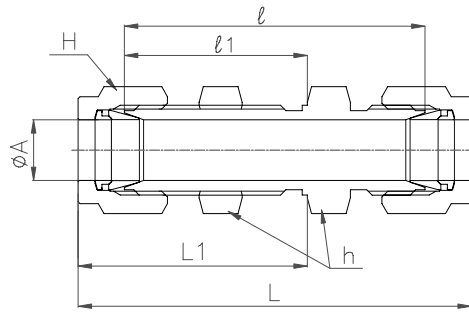
BI-LoK	DSU	Bulkhead Union Connects fractional tubes
---------------	------------	---



H : See dimensional data (Last page)

Part No.	A (Tube O. D)		E	h (HEX)		ℓ	ℓ ₁	L	L ₁	F	Panel	
	in	mm	mm	in	mm	mm	mm	mm	mm	mm	Hole	Thick
DSU 1	1/16	1.59	1.3	5/16	7.94	24.0	13.5	32.0	17.5	8.9	5.2	3.0
DSU 2	1/8	3.18	2.3	1/2	12.7	38.0	24.6	51.4	31.3	13.0	8.3	12.7
DSU 3	3/16	4.76	3.0	9/16	14.29	40.5	25.5	53.9	32.2	13.8	9.9	12.7
DSU 4	1/4	6.35	4.8	5/8	15.88	43.0	26.0	58.0	33.5	15.4	11.5	10.2
DSU 5	5/16	7.94	6.4	11/16	17.46	46.0	28.5	61.0	36.0	16.3	13.1	10.9
DSU 6	3/8	9.53	7.1	3/4	19.05	47.8	29.5	62.8	37.0	17.0	14.7	11.2
DSU 8	1/2	12.7	10.4	15/16	23.81	50.8	32.0	71.4	42.3	23.0	19.4	12.7
DSU 10	5/8	15.88	12.7	1-1/16	26.99	52.5	32.5	73.1	42.8	24.6	22.6	12.7
DSU 12	3/4	19.05	15.8	1-3/16	30.16	58.7	37.3	79.3	47.6	24.6	25.8	16.8
DSU 16	1	25.4	22.5	1-5/8	41.28	71.4	45.2	96.6	57.8	31.6	33.7	19.1

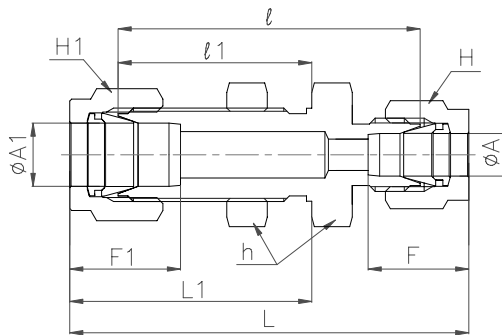
BI-LoK	DSUZ	Bulkhead Union / Bored-through Connects fractional tubes
---------------	-------------	--



H : See dimensional data(Last page)

Part No.	A (Tube O. D)		h (HEX)		l	l ₁	L	L ₁	Panel	
	in	mm	in	mm					Hole	Thick
DSUZ 1	1/16	1.59	5/16	7.94	24.0	13.5	32.0	17.5	5.2	3.0
DSUZ 2	1/8	3.18	1/2	12.7	38.0	24.6	51.4	31.3	8.3	12.7
DSUZ 3	3/16	4.76	9/16	14.29	40.5	25.5	53.9	32.2	9.9	12.7
DSUZ 4	1/4	6.35	5/8	15.88	43.0	26.0	58.0	33.5	11.5	10.2
DSUZ 5	5/16	7.94	11/16	17.46	46.0	28.5	61.0	36.0	13.1	10.9
DSUZ 6	3/8	9.53	3/4	19.05	47.8	29.5	62.8	37.0	14.7	11.2
DSUZ 8	1/2	12.7	15/16	23.81	50.8	32.0	71.4	42.3	19.4	12.7
DSUZ 10	5/8	15.88	1-1/16	26.99	52.5	32.5	73.1	42.8	22.6	12.7
DSUZ 12	3/4	19.05	1-3/16	30.16	58.7	37.3	79.3	47.6	25.8	16.8
DSUZ 16	1	25.4	1-5/8	41.28	71.4	45.2	96.6	57.8	33.7	19.1

BI-LoK	DSUR	Bulkhead Reducing Union Connects fractional tubes
---------------	-------------	---

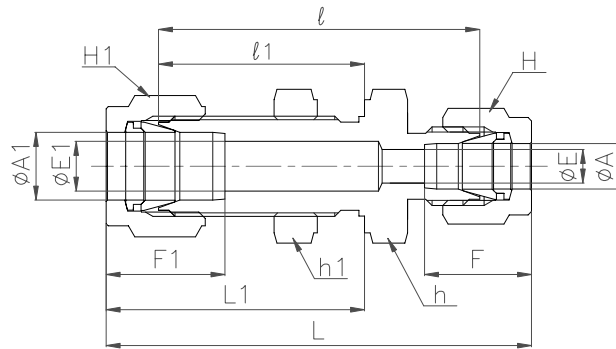


Part No.	Panel	
	Hole	Thick
DSUR 2-4	11.5	10.2
DSUR 4-2	8.3	12.7
DSUR 4-6	14.7	11.2
DSUR 4-8	19.4	12.7
DSUR 6-4	11.5	10.2
DSUR 6-8	19.4	12.7
DSUR 8-4	11.5	10.2
DSUR 8-6	14.7	11.2
DSUR 8-12	25.8	16.8
DSUR 12-8	19.4	12.7

H, H₁ : See dimensional data(Last page)

Part No.	A (Tube O. D)		A ₁ (Tube O. D)		E	E ₁	h (HEX)		l	l ₁	L	L ₁	F	F ₁
	in	mm	in	mm			in	mm						
DSUR 2-4	1/8	3.18	1/4	6.35	2.3	4.8	5/8	15.88	41.6	26.0	55.8	33.5	13.0	15.4
DSUR 4-2	1/4	6.35	1/8	3.18	4.8	2.3	1/2	12.7	41.6	24.6	55.8	31.3	15.4	13.0
DSUR 4-6	1/4	6.35	3/8	9.53	4.8	7.1	3/4	19.05	46.0	29.5	61.0	37.0	15.4	17.0
DSUR 4-8	1/4	6.35	1/2	12.7	4.8	10.4	15/16	23.81	49.3	32.0	67.1	42.3	15.4	23.0
DSUR 6-4	3/8	9.53	1/4	6.35	7.1	4.8	5/8	15.88	44.0	26.0	59.0	33.5	17.0	15.4
DSUR 6-8	3/8	9.53	1/2	12.7	7.1	10.4	15/16	23.81	50.8	32.0	68.6	42.3	17.0	23.0
DSUR 8-4	1/2	12.7	1/4	6.35	10.4	4.8	13/16	20.64	44.8	26.0	62.6	33.5	23.0	15.4
DSUR 8-6	1/2	12.7	3/8	9.53	10.4	7.1	13/16	20.64	48.3	29.5	66.1	37.0	23.0	17.0
DSUR 8-12	1/2	12.7	3/4	19.05	10.4	15.8	1-3/16	30.16	58.7	37.3	79.3	47.6	23.0	24.6
DSUR 12-8	3/4	19.05	1/2	12.7	15.8	10.4	1-1/16	26.99	53.4	32.0	74.0	42.3	24.6	23.0

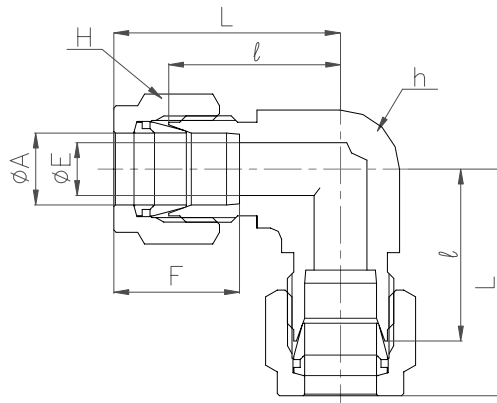
BI-LoK	DSUR	Bulkhead Reducing Union Connects fractional tube to metric tube
---------------	-------------	---



H, H₁ : See dimensional data (Last page)

Part No.	A (Tube O.D)		A ₁	E	E ₁	h (HEX)		ℓ	ℓ ₁	L	L ₁	F	F ₁	Panel	
	in	mm	mm	mm	mm	in	mm	mm	mm	mm	mm	mm	mm	Hole	Thick
DSUR 4-8M	1/4	6.35	8	4.8	6.4	3/4	19.05	45.6	28.5	60.6	36.0	15.4	16.3	13.1	11.4

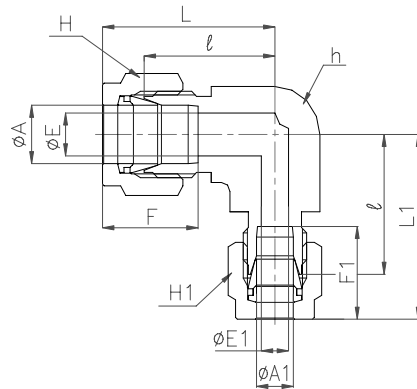
BI-LoK	DLA	Union Elbow Connects fractional tubes
---------------	------------	---



H : See dimensional data (Last page)

Part No.	A (Tube O.D)		E	h (Flat)		ℓ	L	F
	in	mm	mm	in	mm	mm	mm	mm
DLA 1	1/16	1.59	1.3	3/8	9.5	14.2	18.2	8.9
DLA 2	1/8	3.18	2.3	3/8	9.5	15.8	22.5	13.0
DLA 3	3/16	4.76	3.0	1/2	12.7	19.0	25.7	13.8
DLA 4	1/4	6.35	4.8	1/2	12.7	20.0	27.5	15.4
DLA 5	5/16	7.94	6.4	5/8	15.9	22.4	29.9	16.3
DLA 6	3/8	9.53	7.1	5/8	15.9	23.0	30.5	17.0
DLA 8	1/2	12.7	10.4	13/16	20.6	25.0	35.3	23.0
DLA 10	5/8	15.88	12.7	15/16	23.8	27.0	37.3	24.6
DLA 12	3/4	19.05	15.8	1-1/16	27.0	28.2	38.5	24.6
DLA 14	7/8	22.23	18.3	1-1/4	31.8	32.5	42.7	26.1
DLA 16	1	25.4	22.5	1-5/16	33.3	33.3	45.9	31.6

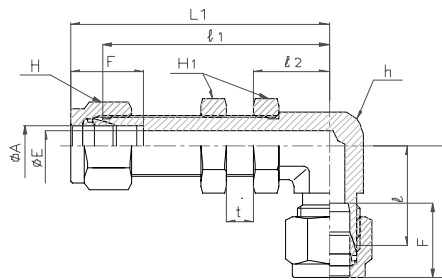
BI-LoK	D L R	Reducing Union Elbow Connects fractional tubes
---------------	--------------	--



H, H₁ : See dimensional data(Last page)

Part No.	A (Tube O. D)		A ₁ (Tube O. D)		E	E ₁	h (Flat)		l	L	L ₁	F	F ₁
	in	mm	in	mm	mm	mm	in	mm	mm	mm	mm	mm	mm
DLR 6-4	3/8	9.53	1/4	6.35	7.1	4.8	5/8	15.9	23.0	30.5	30.5	17.0	15.4
DLR 6-5	3/8	9.53	5/16	7.94	7.1	6.4	5/8	15.9	23.0	30.5	30.5	17.0	16.3
DLR 8-6	1/2	12.7	3/8	9.53	10.4	7.1	13/16	20.6	25.0	35.2	32.4	23.0	17.0
DLR 12-4	3/4	19.05	1/4	6.35	15.8	4.8	1-1/16	27.0	28.2	38.5	35.7	24.6	15.4
DLR 12-6	3/4	19.05	3/8	9.53	15.8	7.1	1-1/16	27.0	28.2	38.5	35.7	24.6	17.0
DLR 12-8	3/4	19.05	1/2	12.7	15.8	10.4	1-1/16	27.0	28.2	38.5	38.5	24.6	23.0

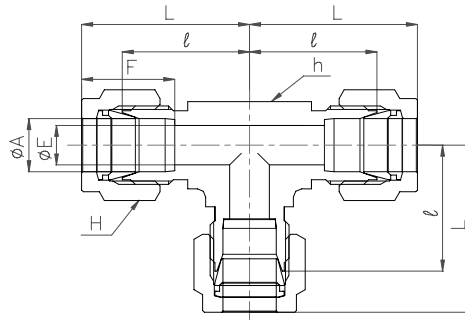
BI-LoK	D S L	Bulkhead Union Elbow Connects fractional tubes
---------------	--------------	--



H : See dimensional data(Last page)

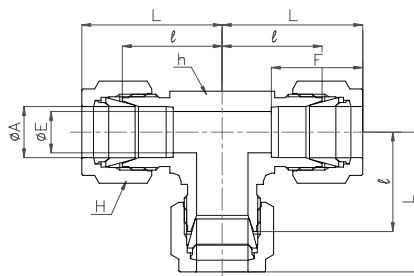
Part No	A (Tube O. D)		E	h (Flat)		H ₁ (HEX)		l	l ₁	l ₂	L	L ₁	F	Panel	
	in	mm	mm	in	mm	in	mm	mm	mm	mm	mm	mm	mm	Hole	Thick
DSL 2	1/8	3.18	2.3	3/8	9.5	1/2	12.7	15.8	42.5	14.5	22.5	49.2	13.0	8.3	15.2
DSL 3	3/16	4.76	3.0	1/2	12.7	9/16	14.29	19.0	45.0	15.5	25.7	51.7	13.8	9.9	15.5
DSL 4	1/4	6.35	4.8	1/2	12.7	5/8	15.88	20.0	46.0	16.0	27.5	53.5	15.4	11.5	15.5
DSL 5	5/16	7.94	6.4	5/8	15.9	11/16	17.46	22.5	51.5	17.5	30.0	59.0	16.3	13.1	18.8
DSL 6	3/8	9.53	7.1	5/8	15.9	3/4	19.05	23.0	52.5	17.5	30.5	60.0	17.0	14.7	18.8
DSL 8	1/2	12.7	10.4	13/16	20.6	15/16	23.81	24.0	57.5	20.5	34.3	67.8	23.0	19.4	18.8
DSL 10	5/8	15.88	12.7	15/16	23.8	1-1/16	26.99	27.0	61.5	23.5	37.3	71.8	24.6	22.6	12.7
DSL 12	3/4	19.05	15.8	1-1/16	27.0	1-3/16	30.16	28.2	68.0	25.5	38.5	78.3	24.6	25.8	16.8

BI-LoK	DTA	Union Tee Connects fractional tubes
---------------	------------	---



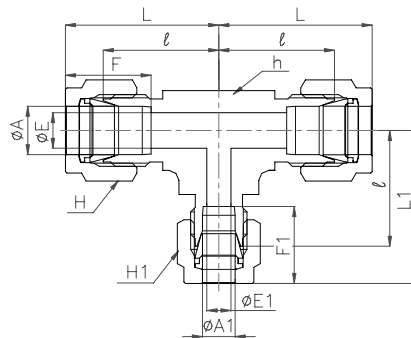
Part	A(Tube O. D)		E	h(Flat)		H(HEX)		l	L	F
	in	mm		in	mm	in	mm			
DTA 1	1/16	1.59	1.3	3/8	9.5	5/16	7.94	14.2	18.2	8.9
DTA 2	1/8	3.18	2.3	3/8	9.5	7/16	11.11	15.8	22.5	13.0
DTA 3	3/16	4.76	3.0	1/2	12.7	1/2	12.7	19.0	25.7	13.8
DTA 4	1/4	6.35	4.8	1/2	12.7	9/16	14.29	20.0	27.5	15.4
DTA 5	5/16	7.94	6.4	5/8	15.9	5/8	15.88	22.4	29.9	16.3
DTA 6	3/8	9.53	7.1	5/8	15.9	11/16	17.46	23.0	30.5	17.0
DTA 8	1/2	12.7	10.4	13/16	20.6	7/8	22.23	25.0	35.3	23.0
DTA 10	5/8	15.88	12.7	15/16	23.8	1	25.4	27.0	37.3	24.6
DTA 12	3/4	19.05	15.8	1-1/16	27.0	1-1/8	28.58	28.2	38.5	24.6
DTA 14	7/8	22.23	18.3	1-1/4	31.8	1-1/4	31.75	32.5	42.7	26.1
DTA 16	1	25.4	22.5	1-5/16	33.3	1-1/2	38.1	33.3	45.9	31.6

BI-LoK	DTAZ	Union Tee / Bored-through Connects fractional tubes
---------------	-------------	---



Part No.	A(Tube O. D)		E	h(Flat)		H(HEX)		l	L	F
	in	mm		in	mm	in	mm			
DTAZ 4	1/4	6.35	4.8	1/2	12.7	9/16	14.29	20.0	27.5	15.4
DTAZ 6	3/8	9.52	7.1	5/8	15.9	11/16	17.46	23.0	30.5	17.0

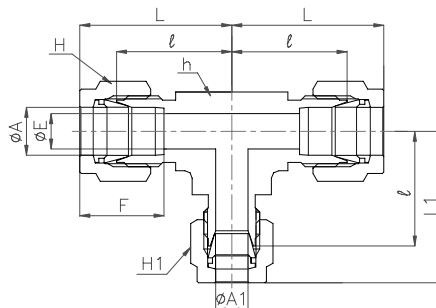
BI-LoK	DTR	Reducing Union Tee Connects fractional tubes
---------------	------------	---



H, H₁ : See dimensional data(Last page)

Part No.	A(Tube O. D)		A ₁ (Tube O. D)		E	E ₁	h(Flat)		ℓ	L	L ₁	F	F ₁
	in	mm	in	mm	mm	mm	in	mm	mm	mm	mm	mm	mm
DTR 4-6	1/4	6.35	3/8	9.53	4.8	7.1	5/8	15.9	23.0	30.5	30.5	15.4	17.0
DTR 4-8	1/4	6.35	1/2	12.7	4.8	10.4	13/16	20.6	25.0	32.5	35.3	15.4	23.0
DTR 6-4	3/8	9.53	1/4	6.35	7.1	4.8	5/8	15.9	23.0	30.5	30.5	17.0	15.4
DTR 6-5	3/8	9.53	5/16	7.94	7.1	6.4	5/8	15.9	23.0	30.5	30.5	17.0	16.3
DTR 8-2	1/2	12.7	1/8	3.18	10.4	2.3	13/16	20.6	25.0	35.3	31.7	23.0	13.0
DTR 8-4	1/2	12.7	1/4	6.35	10.4	4.8	13/16	20.6	25.0	35.3	32.5	23.0	15.4
DTR 8-6	1/2	12.7	3/8	9.53	10.4	7.1	13/16	20.6	25.0	35.3	32.5	23.0	17.0
DTR 8-12	1/2	12.7	3/4	19.05	10.4	15.8	1-1/16	27.0	28.2	38.5	38.5	23.0	24.6
DTR 10-6	5/8	15.88	3/8	9.53	12.7	7.1	15/16	23.8	27.0	37.3	34.5	24.6	17.0
DTR 12-4	3/4	19.05	1/4	6.35	15.8	4.8	1-1/16	27.0	28.2	38.5	35.7	24.6	15.4
DTR 12-6	3/4	19.05	3/8	9.53	15.8	7.1	1-1/16	27.0	28.2	38.5	35.7	24.6	17.0
DTR 12-8	3/4	19.05	1/2	12.7	15.8	10.4	1-1/16	27.0	28.2	38.5	38.5	24.6	23.0
DTR 12-16	3/4	19.05	1	25.4	15.8	22.5	1-5/16	33.3	33.3	43.6	45.9	24.6	31.6
DTR 14-6	7/8	22.23	3/8	9.53	18.3	7.1	1-1/4	31.8	32.5	42.7	40.0	26.1	17.0
DTR 14-8	7/8	22.23	1/2	12.7	18.3	10.4	1-1/4	31.8	32.5	42.7	42.8	26.1	23.0
DTR 14-12	7/8	22.23	3/4	19.05	18.3	15.8	1-1/4	31.8	32.5	42.7	42.8	26.1	24.6
DTR 16-6	1	25.4	3/8	9.53	22.5	7.1	1-5/16	33.3	33.3	45.9	40.8	31.6	17.0
DTR 16-8	1	25.4	1/2	12.7	22.5	10.4	1-5/16	33.3	33.3	45.9	43.6	31.6	23.0
DTR 16-12	1	25.4	3/4	19.05	22.5	15.8	1-5/16	33.3	33.3	45.9	43.6	31.6	24.6
DTR 16-14	1	25.4	7/8	22.23	22.5	18.3	1-5/16	33.3	33.3	45.9	43.5	31.6	26.1

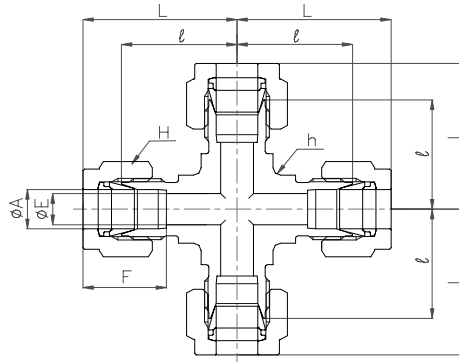
BI-LoK	DTRZ	Reducing Union Tee / Bored-through Connects fractional tubes
---------------	-------------	---



H, H₁ : See dimensional data(Last page)

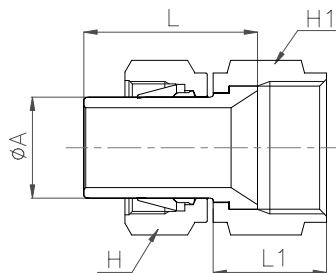
Part No.	A(Tube O. D)		A ₁ (Tube O. D)		E	h(Flat)		ℓ	L	L ₁	F
	in	mm	in	mm	mm	in	mm	mm	mm	mm	mm
DTRZ 8-2	1/2	12.7	1/8	3.18	10.4	13/16	20.6	25.0	35.3	31.7	23.0

BI-LoK	DXA	Union Cross Connects fractional tubes
---------------	------------	---



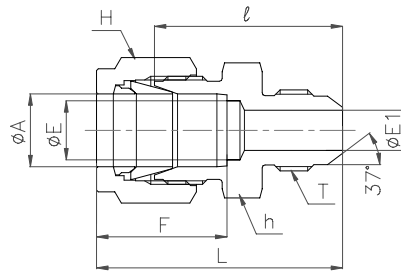
Part No.	A (Tube O. D)		E mm	h (Flat)		H (HEX)		l mm	L mm	F mm
	in	mm		in	mm	in	mm			
DXA 1	1/16	1.59	1.3	3/8	9.5	5/16	7.94	14.2	18.2	8.9
DXA 2	1/8	3.18	2.3	3/8	9.5	7/16	11.11	15.8	22.5	13.0
DXA 3	3/16	4.76	3.0	1/2	12.7	1/2	12.7	19.0	25.7	13.8
DXA 4	1/4	6.35	4.8	1/2	12.7	9/16	14.29	20.0	27.5	15.4
DXA 5	5/16	7.94	6.4	5/8	15.9	5/8	15.88	22.4	29.9	16.3
DXA 6	3/8	9.53	7.1	5/8	15.9	11/16	17.46	23.0	30.5	17.0
DXA 8	1/2	12.7	10.4	13/16	20.6	7/8	22.23	25.0	35.3	23.0
DXA 10	5/8	15.88	12.7	15/16	23.8	1	25.4	27.0	37.3	24.6
DXA 12	3/4	19.05	15.8	1-1/16	27.0	1-1/8	28.58	28.2	38.5	24.6
DXA 16	1	25.4	22.5	1-3/8	34.9	1-1/2	38.1	33.3	45.9	31.6

BI-LoK	DAN	Bi-lok to AN Adapter Connects fractional tube to male 37° flared tube
---------------	------------	---



Part No.	A (Tube O. D)		AN (Tube O. D)		H (HEX)		H ₁ (HEX)		L ₁ mm	L ₂ mm
	in	mm	in	mm	in	mm	in	mm		
DAN 2-2	1/8	3.18	1/8	3.18	7/16	11.11	3/8	9.53	19.6	13.8
DAN 4-4	1/4	6.35	1/4	6.35	9/16	14.29	9/16	14.29	22.3	15.7
DAN 6-6	3/8	9.53	3/8	9.53	11/16	17.46	11/16	17.46	25.3	18.3
DAN 8-8	1/2	12.7	1/2	12.7	7/8	22.23	7/8	22.23	32.0	21.3
DAN 16-16	1	25.4	1	25.4	1-1/2	38.1	1-1/2	38.1	43.5	28.4

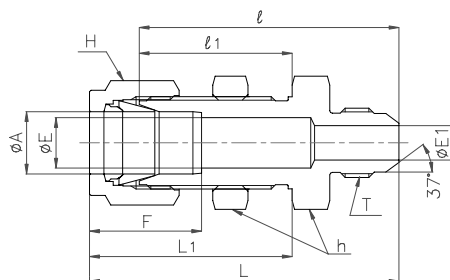
BI-LoK	DUC	AN Union Connects fractional tube to 37° flared tube
---------------	------------	--



H : See dimensional data(Last page)

Part No.	A (Tube O. D)		AN (Tube O. D)		T UNF	E mm	E ₁ mm	h (HEX)		l mm	L mm	F mm
	in	mm	in	mm				in	mm			
DUC 1-2	1/16	1.59	1/8	3.18	5/16-24	1.3	1.3	7/16	11.11	23.4	27.4	8.9
DUC 1-4	1/16	1.59	1/4	6.35	7/16-20	1.3	4.3	1/2	12.7	27.0	31.0	8.9
DUC 2-2	1/8	3.18	1/8	3.18	5/16-24	2.3	1.5	7/16	11.11	24.9	31.6	13.0
DUC 2-4	1/8	3.18	1/4	6.35	7/16-20	2.3	4.3	1/2	12.7	28.4	35.1	13.0
DUC 4-2	1/4	6.35	1/8	3.18	5/16-24	4.8	1.5	1/2	12.7	27.5	35.0	15.4
DUC 4-4	1/4	6.35	1/4	6.35	7/16-20	4.8	4.3	1/2	12.7	30.2	37.7	15.4
DUC 5-5	5/16	7.94	5/16	7.94	1/2-20	6.0	6.0	9/16	14.29	31.3	38.8	16.3
DUC 6-4	3/8	9.53	1/4	6.35	7/16-20	7.1	4.3	5/8	15.88	32.3	39.8	17.0
DUC 6-6	3/8	9.53	3/8	9.53	9/16-18	7.1	7.1	5/8	15.88	32.3	39.8	17.0
DUC 8-6	1/2	12.7	3/8	9.53	9/16-18	10.4	7.1	13/16	20.64	33.0	43.3	23.0
DUC 8-8	1/2	12.7	1/2	12.7	3/4-16	10.4	9.9	13/16	20.64	35.6	45.9	23.0
DUC 10-8	5/8	15.88	1/2	12.7	3/4-16	12.7	9.9	15/16	23.81	36.5	46.8	24.6
DUC 10-10	5/8	15.88	5/8	15.88	7/8-14	12.7	12.7	15/16	23.81	39.2	49.5	24.6
DUC 12-8	3/4	19.05	1/2	12.7	3/4-16	15.8	9.9	1-1/8	28.58	39.0	49.3	24.6
DUC 12-12	3/4	19.05	3/4	19.05	1-1/16-12	15.8	15.8	1-1/8	28.58	44.2	54.5	24.6
DUC 16-12	1	25.4	3/4	19.05	1-1/16-12	22.5	15.5	1-3/8	34.93	48.1	60.7	31.6
DUC 16-16	1	25.4	1	25.4	1-5/16-12	22.5	21.5	1-3/8	34.93	49.3	61.9	31.6

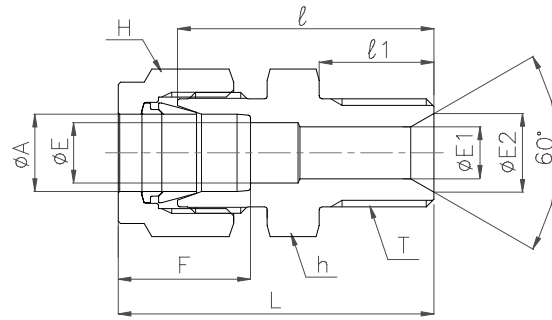
BI-LoK	DUE	AN Bulkhead Union Connects fractional tube to 37° flared tube
---------------	------------	---



H : See dimensional data(Last page)

Part No.	A (Tube O. D)		AN (Tube O. D)		T UNF	E mm	E ₁ mm	h (HEX)		l mm	l ₁ mm	L mm	L ₁ mm	F mm	Panel	
	in	mm	in	mm				in	mm						Hole	Thick
DUE 2-2	1/8	3.18	1/8	3.18	5/16-24	2.3	1.5	1/2	12.7	41.0	24.6	47.7	31.3	13.0	8.3	12.7
DUE 4-4	1/4	6.35	1/4	6.35	7/16-20	4.8	4.3	5/8	15.88	46.5	26.0	54.0	33.5	15.4	11.5	10.2
DUE 6-4	3/8	9.53	1/4	6.35	7/16-20	7.1	4.3	3/4	19.05	49.9	29.5	57.3	37.0	17.0	11.5	10.2
DUE 6-6	3/8	9.53	3/8	9.53	9/16-18	7.1	7.1	3/4	19.05	49.8	29.5	57.3	37.0	17.0	14.7	11.2
DUE 8-6	1/2	12.7	3/8	9.53	9/16-18	10.4	7.1	15/16	23.81	53.0	32.0	63.3	42.3	23.0	14.7	11.2
DUE 8-8	1/2	12.7	1/2	12.7	3/4-16	10.4	9.9	15/16	23.81	55.7	32.0	66.0	42.3	23.0	19.4	12.7
DUE 12-12	3/4	19.05	3/4	19.05	1-1/16-12	15.8	15.8	1-3/16	30.16	68.8	37.3	79.1	47.6	24.6	25.8	16.8
DUE 16-16	1	25.4	1	25.4	1-5/16-12	22.5	21.5	1-5/8	41.28	80.2	45.2	92.8	57.8	31.6	33.7	19.1

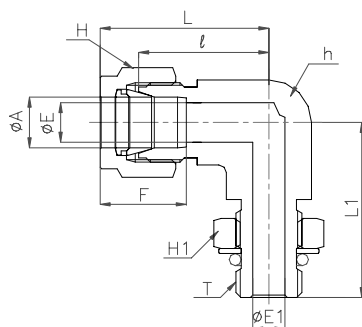
BI-LoK	DUD	Male Connector /for 30° Hose Adapter Connects fractional tube to 30° Hose Adapter (ISO parallel thread)
---------------	------------	--



H : See dimensional data (Last page)

Part No.	A (Tube O. D)		T	E	E ₁	E ₂	h (HEX)		l	l ₁	L	F
	in	mm	G	mm	mm	mm	in	mm	mm	mm	mm	mm
DUD 6-G4	3/8	9.53	1/4	7.1	6.0	9.5	5/8	15.88	32.5	14.0	40.0	17.0
DUD 8-G4	1/2	12.7	1/4	10.4	6.0	9.5	13/16	20.64	34.0	14.0	44.0	23.0

BI-LoK	DLO	Positional Male Elbow Connects fractional tube to UNF straight thread
---------------	------------	---



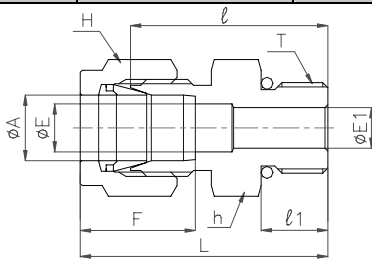
H : See dimensional data (Last page)

Part No.	A (Tube O. D)		T	E	E ₁	h (Flat)		H ₁ (HEX)		ℓ	L	L ₁	F	O-ring AS568 (フッ素ゴム)
	in	mm	UNF	mm	mm	in	mm	in	mm	mm	mm	mm	mm	
DLO 4-4	1/4	6.35	7/16-20	4.8	4.8	5/8	15.9	9/16	14.29	21.0	28.5	28.5	15.4	-904
DLO 4-6	1/4	6.35	9/16-18	4.8	7.1	5/8	15.9	11/16	17.46	23.0	30.5	32.5	15.4	-906
DLO 5-5	5/16	7.94	1/2-20	6.4	6.4	5/8	15.9	5/8	15.88	23.0	30.5	29.5	16.3	-905
DLO 6-6	3/8	9.53	9/16-18	7.1	7.1	5/8	15.9	11/16	17.46	24.5	32.0	32.5	17.0	-906
DLO 6-8	3/8	9.53	3/4-16	7.1	10.4	13/16	20.6	7/8	22.23	27.5	35.0	38.0	17.0	-908
DLO 8-8	1/2	12.7	3/4-16	10.4	10.4	13/16	20.6	7/8	22.23	27.5	37.8	38.0	23.0	-908

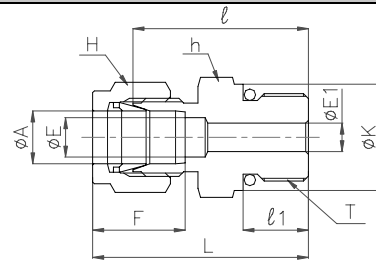
BI-LoK	DLO	Positional Male Elbow Connects fractional tube to ISO/parallel thread
---------------	------------	---

Part No.	A (Tube O. D)		T	E	E ₁	h (Flat)		H ₁ (HEX)		ℓ	L	L ₁	F	O-ring JIS B 2401 (フッ素ゴム)
	in	mm	G	mm	mm	in	mm	in	mm	mm	mm	mm	mm	
DLO 4-G4	1/4	6.35	1/4	4.8	6.4	5/8	15.9	3/4	19.05	21.5	29.0	32.5	15.4	4D-P11
DLO 6-G4	3/8	9.53	1/4	7.1	6.4	5/8	15.9	3/4	19.05	23.0	30.5	32.5	17.0	4D-P11
DLO 6-G6	3/8	9.53	3/8	7.1	7.9	13/16	20.6	-	22.0	26.0	33.5	37.0	17.0	4D-P14
DLO 8-G4	1/2	12.7	1/4	10.4	6.4	13/16	20.6	3/4	19.05	26.0	36.3	35.0	23.0	4D-P11
DLO 8-G6	1/2	12.7	3/8	10.4	7.9	13/16	20.6	-	22.0	26.0	36.3	37.0	23.0	4D-P14
DLO 8-G8	1/2	12.7	1/2	10.4	12.0	13/16	20.6	1-1/16	26.99	28.0	38.3	43.5	23.0	4D-P18

BI-LoK	DCU	O-ring seal Male Connector Connects fractional tube to UNF straight thread
---------------	------------	--



UNF straight thread



ISO/straight thread

H : See dimensional data(Last page)

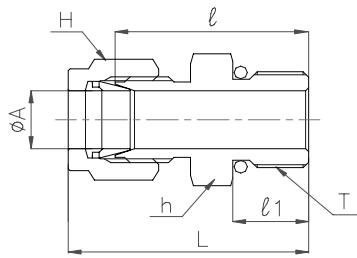
Part No.	A(Tube O. D)		T	E	E ₁	h(HEX)		l	l ₁	L	F	O-ring AS568 (NBR)
	in	mm	UNF	mm	mm	in	mm	mm	mm	mm	mm	
DCU 2-2	1/8	3.18	5/16-24	2.3	2.3	7/16	11.11	23.4	7.5	30.1	13.0	-902
DCU 2-4	1/8	3.18	7/16-20	2.3	4.8	9/16	14.29	24.9	9.0	31.6	13.0	-904
DCU 4-2	1/4	6.35	5/16-24	4.8	3.5	1/2	12.7	25.4	7.5	32.9	15.4	-902
DCU 4-4	1/4	6.35	7/16-20	4.8	4.8	9/16	14.29	26.7	9.0	34.2	15.4	-904
DCU 4-6	1/4	6.35	9/16-18	4.8	4.8	11/16	17.46	28.2	10.0	35.7	15.4	-906
DCU 4-8	1/4	6.35	3/4-16	4.8	4.8	7/8	22.23	30.0	11.0	37.5	15.4	-908
DCU 4-10	1/4	6.35	7/8-14	4.8	10.4	1	25.4	33.0	12.5	40.5	15.4	-910
DCU 6-4	3/8	9.53	7/16-20	7.1	5.1	5/8	15.88	28.2	9.0	35.7	17.0	-904
DCU 6-6	3/8	9.53	9/16-18	7.1	7.1	11/16	17.46	29.7	10.0	37.2	17.0	-906
DCU 6-8	3/8	9.53	3/4-16	7.1	7.1	7/8	22.23	31.8	11.0	39.3	17.0	-908
DCU 6-10	3/8	9.53	7/8-14	7.1	10.4	1	25.4	35.0	12.5	42.5	17.0	-910
DCU 8-6	1/2	12.7	9/16-18	10.4	7.1	7/8	22.23	29.0	10.0	39.3	23.0	-906
DCU 8-8	1/2	12.7	3/4-16	10.4	10.4	13/16	22.23	31.8	11.0	42.1	23.0	-908
DCU 8-10	1/2	12.7	7/8-14	10.4	10.4	1	25.4	35.1	12.5	45.4	23.0	-910
DCU 8-12	1/2	12.7	1-1/16-12	10.4	10.4	1-1/4	31.75	38.9	15.0	49.2	23.0	-912
DCU10-8	5/8	15.88	3/4-16	12.7	10.7	15/16	23.81	31.8	11.0	42.1	24.6	-908
DCU10-10	5/8	15.88	7/8-14	12.7	12.7	1	25.4	35.1	12.5	45.4	24.6	-910
DCU12-8	3/4	19.05	3/4-16	15.8	10.7	1-1/16	26.99	32.8	11.0	43.1	24.6	-908
DCU12-12	3/4	19.05	1-1/16-12	15.8	15.8	1-1/4	31.75	38.9	15.0	49.2	24.6	-912
DCU16-12	1	25.4	1-1/16-12	22.5	16.8	1-3/8	34.93	41.4	15.0	54.0	31.6	-912
DCU16-16	1	25.4	1-5/16-12	22.5	22.5	1-1/2	38.1	42.2	15.0	54.8	31.6	-916

BI-LoK	DCU	O-ring seal Male Connector Connects fractional tube to ISO/straight thread
---------------	------------	--

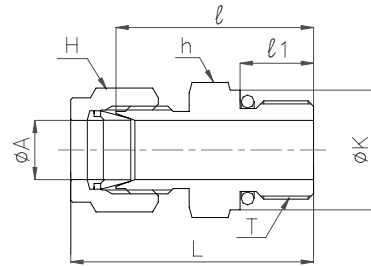
H : See dimensional data(Last page)

Part No.	A(Tube O. D)		T	E	E ₁	h(HEX)		l	l ₁	L	K	F	O-ring JIS B 2401 (NBR)
	in	mm	G	mm	mm	in	mm	mm	mm	mm	mm	mm	
DCU 4-G2	1/4	6.35	1/8	4.8	4.0	9/16	14.29	27.0	8.0	34.5	14.0	15.4	1B-P 8
DCU 4-G4	1/4	6.35	1/4	4.8	6.4	3/4	19.05	31.0	12.0	38.5	19.0	15.4	11
DCU 4-G6	1/4	6.35	3/8	4.8	4.8	7/8	22.23	31.4	12.0	38.9	22.0	15.4	14
DCU 6-G4	3/8	9.53	1/4	7.1	6.4	3/4	19.05	32.8	12.0	40.3	19.0	17.0	11
DCU 6-G6	3/8	9.53	3/8	7.1	7.1	7/8	22.23	32.8	12.0	40.3	22.0	17.0	14
DCU 6-G8	3/8	9.53	1/2	7.1	12.0	1-1/16	26.99	39.0	14.0	46.5	26.5	17.0	18
DCU 8-G4	1/2	12.7	1/4	10.4	6.4	13/16	20.64	33.0	12.0	43.3	19.0	23.0	11
DCU 8-G6	1/2	12.7	3/8	10.4	10.4	7/8	22.23	32.8	12.0	43.1	22.0	23.0	14
DCU 8-G8	1/2	12.7	1/2	10.4	12.0	1-1/16	26.99	39.0	14.0	49.3	26.5	23.0	18
DCU 8-G12	1/2	12.7	3/4	10.4	15.8	1-1/4	31.75	42.7	16.0	53.0	31.5	23.0	24
DCU12-G4	3/4	19.05	1/4	15.8	6.4	1-1/16	26.99	35.8	12.0	46.1	19.0	24.6	11
DCU12-G6	3/4	19.05	3/8	15.8	15.8	1-1/16	26.99	33.8	12.0	44.1	22.0	24.6	14
DCU12-G8	3/4	19.05	1/2	15.8	12.0	1-1/16	26.99	39.0	14.0	49.3	26.5	24.6	18
DCU12-G12	3/4	19.05	3/4	15.8	15.8	1-1/4	31.75	42.7	16.0	53.0	31.5	24.6	24

BI-LoK	DCUZ	O-ring seal Male Connector/ Bored-through Connects fractional tube to UNF straight thread
---------------	-------------	---



UNF straight thread



ISO/G straight thread

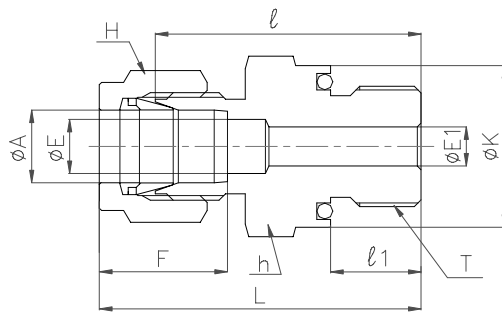
H : See dimensional data(Last page)

Part No.	A (Tube O. D)		T	E	h (HEX)		l	l ₁	L	O-ring AS568 (NBR)
	in	mm	UNF	mm	in	mm	mm	mm	mm	
DCUZ 2-8	1/8	3.18	3/4-16	4.8	7/8	22.23	27.0	11.0	33.7	-908
DCUZ 4-8	1/4	6.35	3/4-16	4.8	7/8	22.23	30.0	11.0	37.5	-908
DCUZ 6-10	3/8	9.53	7/8-14	10.4	1	25.4	35.0	12.5	42.5	-910

BI-LoK	DCUZ	O-ring seal Male Connector/ Bored thru Connects fractional tube to ISO/G straight thread
---------------	-------------	--

Part No.	A (Tube O. D)		T	h (HEX)		l	l ₁	L	K	O-ring JIS B 2401 (NBR)
	in	mm	G	in	mm	mm	mm	mm	mm	
DCUZ 2-G4	1/8	3.17	1/4	3/4	19.05	29.4	12.0	36.1	19.0	1B-P11
DCUZ 4-G4	1/4	6.35	1/4	3/4	19.05	31.0	12.0	38.5	19.0	11
DCUZ 4-G12	1/4	6.35	3/4	1-1/4	31.75	41.1	16.0	48.6	31.5	24
DCUZ 6-G6	3/8	9.52	3/8	7/8	22.23	32.8	12.0	40.3	22.0	14
DCUZ12-G12	3/4	19.05	3/4	1-1/4	31.75	42.7	16.0	53.0	31.5	24

BI-LoK	DCO	O-ring seal Male Connector/ straight thread Connects Fractional tube to UNF straight thread
---------------	------------	--



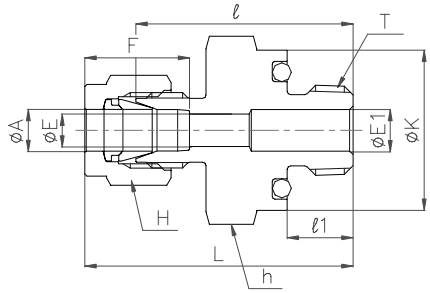
H : See dimensional data(Last page)

Part No.	A(Tube O. D)		T	E	E ₁	K	h(HEX)		ℓ	ℓ ₁	L	F	O-ring AS568 (NBR)
	in	mm	UNF	mm	mm	mm	in	mm	mm	mm	mm	mm	
DCO 1-2	1/16	1.59	5/16-24	1.3	2.3	14.0	9/16	14.29	22.9	8.6	26.9	8.9	-011
DCO 2-2	1/8	3.18	5/16-24	2.3	2.3	14.0	9/16	14.29	26.0	8.6	32.7	13.0	-011
DCO 3-3	3/16	4.76	3/8-24	3.0	3.0	15.4	5/8	15.88	28.0	9.7	34.7	13.8	-012
DCO 4-4	1/4	6.35	7/16-20	4.8	4.8	18.5	3/4	19.05	31.2	10.4	38.7	15.4	-111
DCO 5-5	5/16	7.94	1/2-20	6.4	6.4	21.9	7/8	22.23	33.5	11.2	41.0	16.3	-112
DCO 6-6	3/8	9.53	9/16-18	7.1	7.1	23.6	15/16	23.81	35.0	11.9	42.5	17.0	-113
DCO 8-8	1/2	12.7	3/4-16	10.4	10.4	28.0	1-1/8	28.58	35.8	11.9	46.1	23.0	-116
DCO12-12	3/4	19.05	1-1/16-12	15.8	15.8	37.6	1-1/2	38.1	42.0	14.2	52.3	24.6	-215
DCO16-16	1	25.4	1-5/16-12	22.5	22.5	44.0	1-3/4	44.45	46.0	14.2	58.6	31.6	-219

BI-LoK	DCO	O-ring seal Male Connector/ straight thread Connects fractional tube to ISO straight thread
---------------	------------	--

Part No.	A(Tube O. D)		T	E	E ₁	K	h(HEX)		ℓ	ℓ ₁	L	F	O-ring JIS B 2401 (フッ素ゴム)
	in	mm	G	mm	mm	mm	in	mm	mm	mm	mm	mm	
DCO 4-G2	1/4	6.35	1/8	4.8	4.0	18.5	3/4	19.05	29.0	8.0	36.4	15.4	4D-P11
DCO 4-G4	1/4	6.35	1/4	4.8	6.4	23.5	15/16	23.81	32.8	12.0	40.3	15.4	15
DCO 4-G6	1/4	6.35	3/8	4.8	7.9	26.5	1-1/16	26.99	34.0	12.0	41.5	15.4	18
DCO 6-G4	3/8	9.53	1/4	7.1	6.4	23.5	15/16	23.81	35.0	12.0	42.5	17.0	15
DCO 6-G6	3/8	9.53	3/8	7.1	7.1	26.5	1-1/16	26.99	36.0	12.0	43.5	17.0	18
DCO 6-G8	3/8	9.53	1/2	7.1	12.0	31.5	1-1/4	31.75	41.0	14.0	48.5	17.0	22
DCO 8-G4	1/2	12.7	1/4	10.4	6.4	23.5	15/16	23.81	35.0	12.0	45.3	23.0	15
DCO 8-G6	1/2	12.7	3/8	10.4	7.9	26.5	1-1/16	26.99	36.0	12.0	46.3	23.0	18
DCO 8-G8	1/2	12.7	1/2	10.4	12.0	31.5	1-1/4	31.75	41.0	14.0	51.3	23.0	22
DCO 8-G12	1/2	12.7	3/4	10.4	16.0	40.5	1-5/8	41.27	44.0	18.0	54.3	23.0	28

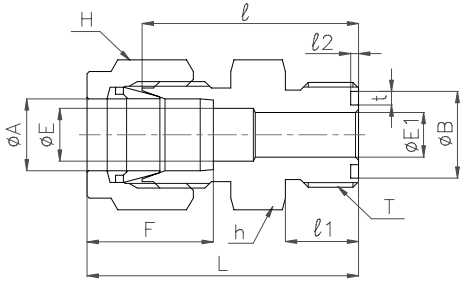
BI-LoK	DCM	O-ring seal Male Connector/ Pipe tapered thread Connects fractional tube to female tapered pipe thread
---------------	------------	---



H : See dimensional data(Last page)

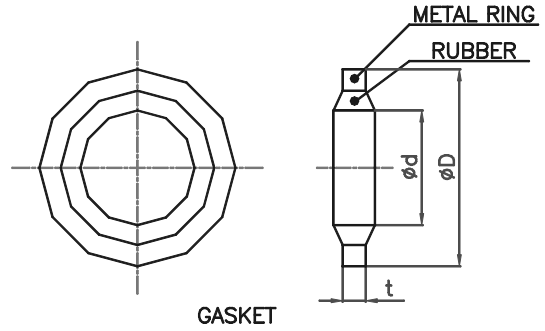
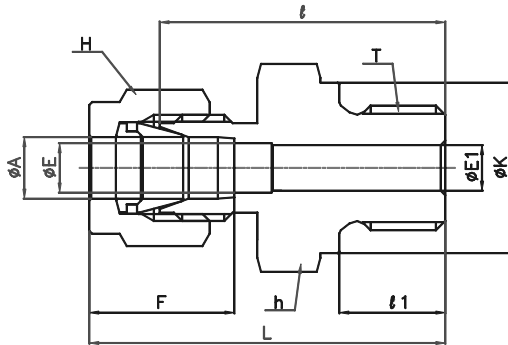
Part No.		A(Tube O. D)		T	E	E ₁	K	h(HEX)		l	l ₁	L	F	O-ring AS568 (NBR)
ANSI NPT	ISO/JIS R	in	mm	NPT/R	mm	mm	mm	in	mm	mm	mm	mm	mm	
DCM 1-4		1/16	1.59	1/4	1.3	4.8	23.6	15/16	23.81	28.3	9.7	32.3	8.9	-113
DCM 2-2	DCM 2-R4	1/8	3.18	1/8	2.3	4.8	18.9	3/4	19.05	26.2	7.1	32.9	13.0	-111
		1/8	3.18	1/4	2.3	4.8	23.6	15/16	23.81	29.9	9.7	36.6	13.0	-113
DCM 4-2 DCM 4-4	DCM 4-R4	1/4	6.35	1/8	4.8	4.8	18.9	3/4	19.05	27.9	7.1	35.4	15.4	-111
		1/4	6.35	1/4	4.8	4.8	23.6	15/16	23.81	31.2	9.7	38.7	15.4	-113
		1/4	6.35	1/4	4.8	4.8	23.6	15/16	23.81	31.6	9.7	39.1	15.4	-113
DCM 6-2 DCM 6-4		3/8	9.53	1/8	7.1	4.8	18.9	3/4	19.05	29.9	7.1	37.4	17.0	-111
		3/8	9.53	1/4	7.1	4.8	23.6	15/16	23.81	32.8	9.7	40.3	17.0	-113

BI-LoK	DCF	O-ring seal Male Connector/ straight thread Connects fractional tube to UNF straight thread
---------------	------------	--



H : See dimensional data(Last page)

Part No.	A(Tube O. D)		T	E	E ₁	h(HEX)	l	l ₁	l ₂	L	F	B	t	O-ring AS568
	in	mm	UNF	mm	mm	in	mm	mm	mm	mm	mm	mm	mm	
DCF 4-4	1/4	6.35	9/16-18	4.8	4.8	3/4	30.2	14.0	1.4	37.7	15.4	11.0	2.4	-011
DCF 6-6	3/8	9.53	11/16-16	7.1	6.6	5/8	32.4	14.0	1.4	39.9	17.0	12.6	2.4	-012
DCF 8-8	1/2	12.7	13/16-16	10.4	9.6	7/8	38.1	19.0	1.4	48.4	23.0	15.8	2.4	-014
DCF 12-12	3/4	19.05	1-3/16-12	15.8	15.8	1-3/8	41.0	19.0	1.4	51.3	24.6	22.2	2.4	-018
DCF 16-16	1	25.4	1-7/16-12	22.5	20.6	1-5/8	50.0	24.0	1.4	52.6	31.6	26.9	2.4	-021

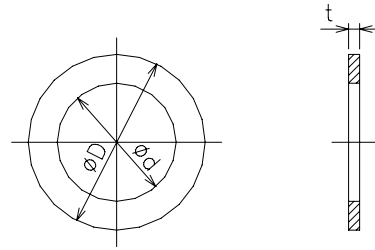
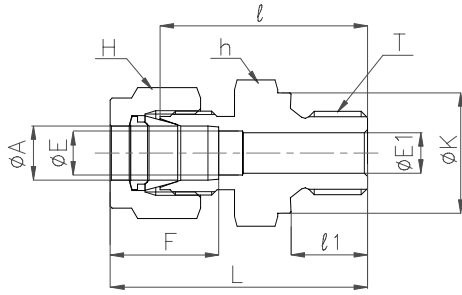
BI-LoK**DCQ**
Bonded seal Male Connector/ straight thread
Connects fractional tube to ISO straight thread


Part No.	T	D	d	t
KP-C-01	G1/8	17	9.9	2
KP-C-02	G1/4	20.5	13.3	2
KP-C-03	G3/8	24	16.8	2
KP-C-04	G1/2	29	21.1	2

H : See dimensional data(Last page)

Part No.	A (Tube O. D)		T	E	E ₁	K	h (HEX)		ℓ	ℓ_1	L	F
	in	mm	G	mm	mm	mm	in	mm	mm	mm	mm	mm
DCQ 2-G2	1/8	3.18	1/8	2.3	2.3	13.8	9/16	14.29	23.4	7.1	30.1	13.0
DCQ 2-G4	1/8	3.18	1/4	2.3	2.3	18.0	3/4	19.05	27.8	11.2	34.5	13.0
DCQ 4-G2	1/4	6.35	1/8	4.8	4.1	13.8	9/16	14.29	24.9	7.1	32.4	15.4
DCQ 4-G4	1/4	6.35	1/4	4.8	4.8	18.0	3/4	19.05	30.2	11.2	37.7	15.4
DCQ 4-G6	1/4	6.35	3/8	4.8	4.8	21.8	7/8	22.23	31.5	11.2	39.0	15.4
DCQ 6-G4	3/8	9.53	1/4	7.1	5.9	18.0	3/4	19.05	31.8	11.2	39.3	17.0
DCQ 6-G6	3/8	9.53	3/8	7.1	7.1	21.8	7/8	22.23	33.0	11.2	40.5	17.0
DCQ 6-G8	3/8	9.53	1/2	7.1	7.1	26.0	1-1/16	26.99	38.9	14.2	46.4	17.0
DCQ 8-G4	1/2	12.7	1/4	10.4	5.9	18.0	13/16	20.64	32.5	11.2	42.8	23.0
DCQ 8-G6	1/2	12.7	3/8	10.4	7.9	21.8	7/8	22.23	33.0	11.2	43.3	23.0
DCQ 8-G8	1/2	12.7	1/2	10.4	10.4	26.0	1-1/16	26.99	38.9	14.2	49.2	23.0

BI-LoK	DCJ	Cu Gasket seal Male Connector/ straight thread Connects fractional tube to ISO straight thread
---------------	------------	--



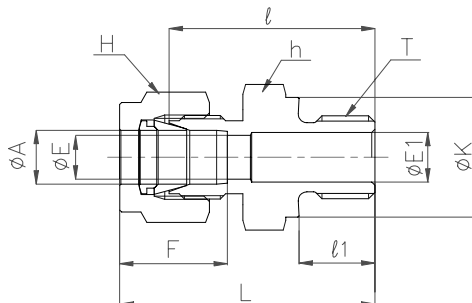
Gasket Material : Copper

Part No.	T	D	d	t
KP-A-01	G1/8	18	10	2
KP-A-03	G1/4	22	14	2
KP-A-05	G3/8	26	17	2
KP-A-07	G1/2	32	21.5	2

H : See dimensional data(Last page)

Part No.	A (Tube O.D)		T	E	E ₁	K	h (HEX)		ℓ	ℓ_1	L	F	Gasket
	in	mm	G	mm	mm	mm	in	mm	mm	mm	mm	mm	
DCJ 2-G2	1/8	3.18	1/8	2.3	4.1	13.8	9/16	14.29	23.4	7.1	30.1	13.0	KP-A-01
DCJ 2-G4	1/8	3.18	1/4	2.3	5.9	18.0	3/4	19.05	27.8	11.2	34.5	13.0	KP-A-03
DCJ 4-G2	1/4	6.35	1/8	4.8	4.1	13.8	9/16	14.29	24.9	7.1	32.4	15.4	KP-A-01
DCJ 4-G4	1/4	6.35	1/4	4.8	5.9	18.0	3/4	19.05	30.2	11.2	37.7	15.4	KP-A-03
DCJ 4-G6	1/4	6.35	3/8	4.8	7.9	21.8	7/8	22.23	31.5	11.2	39.0	15.4	KP-A-05
DCJ 6-G4	3/8	9.53	1/4	7.1	5.9	18.0	3/4	19.05	31.8	11.2	39.3	17.0	KP-A-03
DCJ 6-G6	3/8	9.53	3/8	7.1	7.9	21.8	7/8	22.23	33.0	11.2	40.5	17.0	KP-A-05
DCJ 6-G8	3/8	9.53	1/2	7.1	11.9	26.0	1-1/16	26.99	38.9	14.2	46.4	17.0	KP-A-07
DCJ 8-G4	1/2	12.7	1/4	10.4	5.9	18.0	13/16	20.64	31.8	11.2	42.1	23.0	KP-A-03
DCJ 8-G6	1/2	12.7	3/8	10.4	7.9	21.8	7/8	22.23	33.0	11.2	43.3	23.0	KP-A-05
DCJ 8-G8	1/2	12.7	1/2	10.4	11.9	26.0	1-1/16	26.99	38.9	14.2	49.2	23.0	KP-A-07
DCJ 12-G4	3/4	19.05	1/4	15.8	5.9	18.0	1-1/16	26.99	34.9	11.2	45.2	24.6	KP-A-03
DCJ 12-G6	3/4	19.05	3/8	15.8	7.9	21.8	1-1/16	26.99	35.4	11.2	45.7	24.6	KP-A-05
DCJ 12-G8	3/4	19.05	1/2	15.8	11.9	26.0	1-1/16	26.99	38.9	14.2	49.2	24.6	KP-A-07

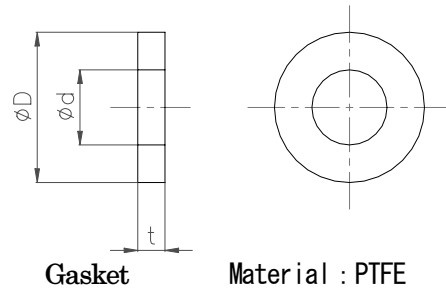
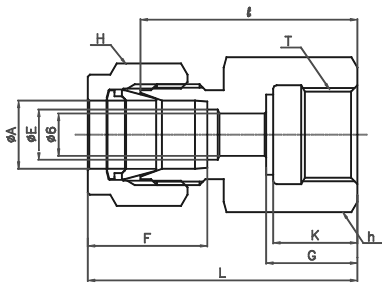
BI-LoK	DCG	Cu Gasket seal Male Connector/ straight thread Connects fractional tube to ISO straight thread
---------------	------------	--



H : See dimensional data(Last page)

Part No.	A (Tube O.D)		T	E	E ₁	K	h (HEX)		ℓ	ℓ_1	L	F	Gasket
	in	mm	G	mm	mm	mm	in	mm	mm	mm	mm	mm	
DCG 4-G4	1/4	6.35	1/4	4.8	5.9	18.0	3/4	19.05	30.2	11.2	37.7	15.4	KP-A-03
DCG 6-G6	3/8	9.53	3/8	7.1	7.9	21.8	7/8	22.23	33.0	11.2	40.5	17.0	KP-A-05

BI-LoK	DGA	Gauge Connector Connects fractional tube to ISO parallel thread
---------------	------------	---

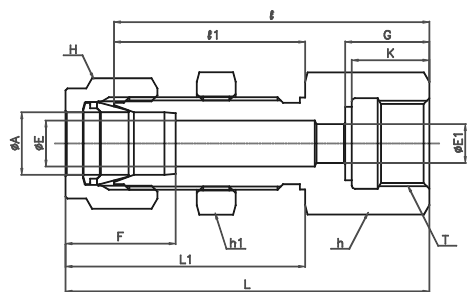


Part No.	T	D	d	t
KP-F-01	G1/4	11	5.5	2
KP-F-02	G3/8	14	5.5	2
KP-F-03	G1/2	18	5.5	2

H : See dimensional data(Last page)

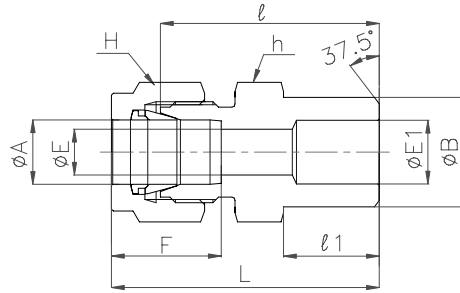
Part No.	A(Tube O. D)		T	E	h(HEX)		ℓ	L	G	F	K
	in	mm	G	mm	in	mm	mm	mm	mm	mm	mm
DGA 2-G2	1/8	3.18	1/8	2.3	9/16	14.29	28.7	35.4	13.0	12.0	12.0
DGA 2-G4	1/8	3.18	1/4	2.3	3/4	19.05	30.7	37.4	13.0	14.0	12.0
DGA 4-G2	1/4	6.35	1/8	4.8	9/16	14.29	30.3	37.8	13.0	12.0	12.0
DGA 4-G4	1/4	6.35	1/4	4.8	3/4	19.05	32.1	39.6	13.0	14.0	12.0
DGA 4-G6	1/4	6.35	3/8	4.8	7/8	22.23	34.1	41.6	15.0	16.0	14.0
DGA 4-G8	1/4	6.35	1/2	4.8	1-1/16	26.99	36.1	43.6	17.0	18.0	16.0
DGA 6-G2	3/8	9.53	1/8	7.1	5/8	15.88	29.0	36.5	13.0	12.0	12.0
DGA 6-G4	3/8	9.53	1/4	7.1	3/4	19.05	30.9	38.4	13.0	14.0	12.0
DGA 6-G6	3/8	9.53	3/8	7.1	7/8	22.23	32.7	40.2	15.0	16.0	14.0
DGA 6-G8	3/8	9.53	1/2	7.1	1-1/16	26.99	34.7	42.2	17.0	18.0	16.0
DGA 8-G4	1/2	12.7	1/4	10.4	13/16	20.64	31.9	42.2	13.0	14.0	12.0
DGA 8-G6	1/2	12.7	3/8	10.4	7/8	22.23	33.7	44.0	15.0	16.0	14.0
DGA 8-G8	1/2	12.7	1/2	10.4	1-1/16	26.99	35.7	46.0	17.0	18.0	16.0
DGA 12-G4	3/4	19.05	1/4	12.7	1-1/16	26.99	34.7	45.0	13.0	14.0	12.0
DGA 12-G6	3/4	19.05	3/8	12.7	1-1/16	26.99	36.7	47.0	15.0	16.0	14.0
DGA 12-G8	3/4	19.05	1/2	12.7	1-1/16	26.99	38.7	49.0	17.0	18.0	16.0

BI-LoK	DGB	Bulkhead Gauge Connector Connects fractional tube to ISO parallel thread
---------------	------------	--



H : See dimensional data(Last page)

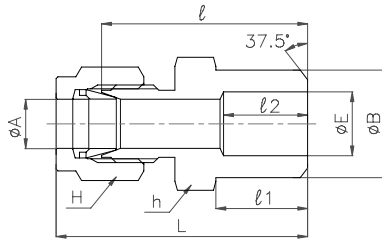
Part No.	A(Tube O. D)		T	E	E ₁	h(HEX)	h ₁ (HEX)	L	ℓ	L ₁	ℓ ₁	G	F	Panel	K	
	in	mm	G	mm	mm	in	in	mm	mm	mm	mm	mm	mm	Hole Thic	mm	
DGB 6-G6	3/8	9.53	3/8	7.1	6.0	7/8	3/4	58.0	50.5	37.0	29.5	15.0	17.0	14.7	11.2	14.0

BI-LoK**DCB****Male pipe weld Connector
Connects fractional tube to pipe**

H : See dimensional data(Last page)

Part No.	A(Tube O. D)		B (Pipe size)		E	E ₁	h(HEX)		L	l	l ₁	F
	in	mm	Nom.	mm			in	mm				
DCB 2-2	1/8	3.18	1/8	10.3	2.3	5.5	7/16	11.11	29.8	23.1	9.7	13.0
DCB 3-2	3/16	4.76	1/8	10.3	3.0	5.5	7/16	11.11	31.1	24.4	9.7	13.8
DCB 4-2	1/4	6.35	1/8	10.3	4.8	5.5	1/2	12.7	33.2	25.7	9.7	15.4
DCB 4-4	1/4	6.35	1/4	13.7	4.8	7.7	9/16	14.29	37.8	30.3	14.2	15.4
DCB 4-6	1/4	6.35	3/8	17.0	4.8	10.4	11/16	17.46	38.7	31.2	14.2	15.4
DCB 4-8	1/4	6.35	1/2	21.3	4.8	13.9	7/8	22.23	44.2	36.7	19.1	15.4
DCB 6-4	3/8	9.53	1/4	13.7	7.1	7.7	5/8	15.88	40.0	32.5	14.2	17.0
DCB 6-6	3/8	9.53	3/8	17.0	7.1	10.4	11/16	17.46	40.0	32.5	14.2	17.0
DCB 6-8	3/8	9.53	1/2	21.3	7.1	13.9	7/8	22.23	45.6	38.1	19.1	17.0
DCB 8-4	1/2	12.7	1/4	13.7	10.4	7.7	13/16	20.64	43.6	33.3	14.2	23.0
DCB 8-6	1/2	12.7	3/8	17.0	10.4	10.4	13/16	20.64	43.6	33.3	14.2	23.0
DCB 8-8	1/2	12.7	1/2	21.3	10.4	13.9	7/8	22.23	48.4	38.1	19.1	23.0
DCB 8-12	1/2	12.7	3/4	26.5	10.4	18.8	1-1/16	26.99	50.9	40.6	19.1	23.0
DCB 10-8	5/8	15.88	1/2	21.3	12.7	13.9	15/16	23.81	49.2	38.9	19.1	24.6
DCB 12-6	3/4	19.05	3/8	17.0	15.8	10.4	1-1/16	26.99	45.9	35.6	14.2	24.6
DCB 12-8	3/4	19.05	1/2	21.3	15.8	13.9	1-1/16	26.99	50.8	40.5	19.1	24.6
DCB 12-12	3/4	19.05	3/4	26.5	15.8	18.8	1-1/16	26.99	50.9	40.6	19.1	24.6
DCB 12-16	3/4	19.05	1	33.4	15.8	24.3	1-3/8	34.93	57.9	47.6	23.9	24.6
DCB 16-8	1	25.4	1/2	21.3	22.5	13.9	1-3/8	34.93	57.6	45.0	19.1	31.6
DCB 16-16	1	25.4	1	33.4	22.5	24.3	1-3/8	34.93	62.6	50.0	23.9	31.6

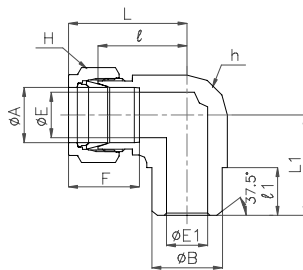
BI-LoK	DCBZ	Male pipe weld Connector/ Bored-through Connects fractional tube to pipe
---------------	-------------	--



H : See dimensional data(Last page)

Part No.	A (Tube O. D)		B (Pipe size)		E	h (HEX)		L	l	l ₁	l ₂
	in	mm	Nom.	mm		in	mm				
DCBZ 2-2	1/8	3.18	1/8	10.3	5.5	7/16	11.11	29.8	23.1	9.7	8.0
DCBZ 3-2	3/16	4.76	1/8	10.3	5.5	7/16	11.11	31.1	24.4	9.7	8.0
DCBZ 4-4	1/4	6.35	1/4	13.7	7.7	9/16	14.29	37.8	30.3	14.2	12.0
DCBZ 6-6	3/8	9.53	3/8	17.0	10.4	11/16	17.46	40.0	32.5	14.2	12.0
DCBZ 6-8	3/8	9.53	1/2	21.3	13.9	7/8	22.23	45.6	38.1	19.1	17.0
DCBZ 8-8	1/2	12.7	1/2	21.3	13.9	7/8	22.23	48.4	38.1	19.1	17.0

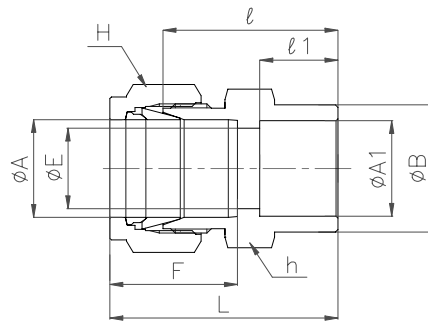
BI-LoK	DLB	Male pipe weld Elbow Connects fractional tube to pipe
---------------	------------	---



H : See dimensional data(Last page)

Part No.	A (Tube O. D)		B (Pipe size)		E	E ₁	h (Flat)		L	L ₁	l	l ₁	F
	in	mm	Nom.	mm			in	mm					
DLB 2-2	1/8	3.18	1/8	10.3	2.3	5.5	7/16	11.1	23.5	19.1	16.8	9.7	13.0
DLB 3-2	3/16	4.76	1/8	10.3	3.0	5.5	1/2	12.7	25.7	19.1	19.0	9.7	13.8
DLB 4-2	1/4	6.35	1/8	10.3	4.8	5.5	1/2	12.7	27.3	19.1	19.8	9.7	15.4
DLB 4-4	1/4	6.35	1/4	13.7	4.8	7.7	1/2	12.7	27.5	23.9	19.8	14.2	15.4
DLB 6-4	3/8	9.53	1/4	13.7	7.1	7.7	5/8	15.9	30.6	25.4	23.1	14.2	17.0
DLB 6-6	3/8	9.53	3/8	17.1	7.1	10.4	11/16	17.5	31.5	28.5	24.0	14.2	17.0
DLB 6-8	3/8	9.53	1/2	21.3	7.1	13.9	15/16	23.8	33.7	33.5	26.2	19.1	17.0
DLB 8-6	1/2	12.7	3/8	17.1	10.4	10.4	13/16	20.6	35.3	27.5	25.0	14.2	23.0
DLB 8-8	1/2	12.7	1/2	21.3	10.4	13.9	15/16	23.8	36.5	33.5	26.2	19.1	23.0
DLB 12-12	3/4	19.05	3/4	26.5	15.8	18.8	1-1/16	27.0	38.5	35.5	28.2	19.1	24.6
DLB 16-16	1	25.4	1	33.4	22.5	24.3	1-5/16	33.3	45.9	46.7	33.3	26.7	31.6

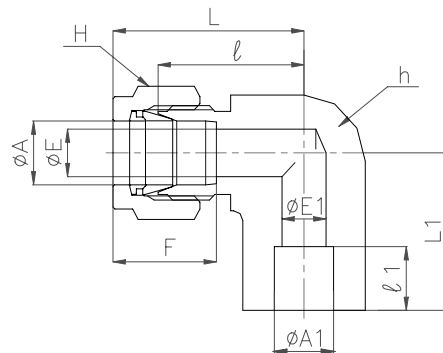
BI-LoK	DCW	Tube socket weld union Connects fractional tubes
---------------	------------	--



H : See dimensional data(Last page)

Part No.	A Tube OD		A ₁ Tube OD		E	B	h (HEX)		L	l	l ₁	F
	in	mm	in	mm	mm	mm	in	mm	mm	mm	mm	mm
DCW 2-2	1/8	3.18	1/8	3.18	2.3	7.9	7/16	11.11	29.1	22.4	6.4	13.0
DCW 4-4	1/4	6.35	1/4	6.35	4.8	11.2	1/2	12.7	33.7	26.2	7.9	15.4
DCW 4-6	1/4	6.35	3/8	9.53	4.8	15.4	5/8	15.88	36.0	28.5	9.7	15.4
DCW 5-5	5/16	7.93	5/16	7.93	6.4	13.0	9/16	14.29	35.0	27.5	9.0	16.3
DCW 6-6	3/8	9.53	3/8	9.53	7.1	15.7	5/8	15.88	37.7	30.2	9.7	17.0
DCW 6-8	3/8	9.53	1/2	12.7	7.1	19.1	13/16	20.64	38.5	31.0	12.7	17.0
DCW 8-8	1/2	12.7	1/2	12.7	10.4	19.1	13/16	20.64	41.3	31.0	12.7	23.0
DCW 8-12	1/2	12.7	3/4	19.05	10.4	26.7	1-1/16	26.99	43.6	33.3	14.2	23.0
DCW 10-10	5/8	15.88	5/8	15.88	12.7	23.2	15/16	23.81	42.1	31.8	14.2	24.6
DCW 12-12	3/4	19.05	3/4	19.05	15.8	26.7	1-1/16	26.99	43.6	33.3	14.2	24.6
DCW 16-16	1	25.4	1	25.4	22.5	33.3	1-3/8	34.93	53.1	40.5	19.1	31.6

BI-LoK	DLW	Tube socket weld Elbow Connects fractional tubes
---------------	------------	--



H : See dimensional data(Last page)

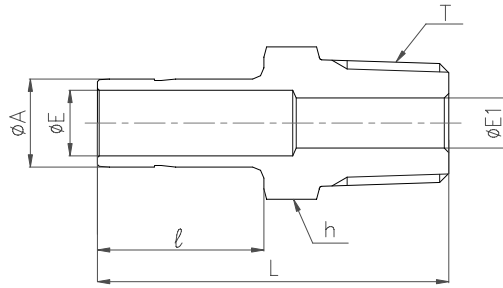
Part No.	A (Tube O. D)		A ₁ (Tube O. D)		E	E ₁	h (Flat)		l	l ₁	L	L ₁	F
	in	mm	in	mm	mm	mm	in	mm	mm	mm	mm	mm	mm
DLW 2-2	1/8	3.18	1/8	3.18	2.3	2.3	3/8	9.5	15.8	6.4	22.5	15.8	13.0
DLW 3-3	3/16	4.76	3/16	4.76	3.0	3.0	1/2	12.7	19.0	7.1	25.7	19.0	13.8
DLW 4-4	1/4	6.35	1/4	6.35	4.8	4.8	1/2	12.7	19.8	7.9	27.3	19.8	15.4
DLW 6-4	3/8	9.53	1/4	6.35	7.1	4.8	5/8	15.9	23.0	7.9	30.5	23.0	17.0
DLW 6-6	3/8	9.53	3/8	9.53	7.1	7.1	5/8	15.9	23.1	9.7	30.6	23.1	17.0
DLW 8-8	1/2	12.7	1/2	12.7	10.4	10.4	13/16	20.6	25.0	12.7	35.3	25.0	23.0
DLW 10-10	5/8	15.88	5/8	15.88	12.7	12.7	15/16	23.8	27.0	14.2	37.3	27.0	24.6
DLW 12-12	3/4	19.05	3/4	19.05	15.8	15.8	1-1/16	27.0	28.2	14.2	38.5	28.2	24.6
DLW 16-16	1	25.4	1	25.4	22.5	22.5	1-5/16	33.3	33.3	19.1	45.9	33.3	31.6

BI-LoK

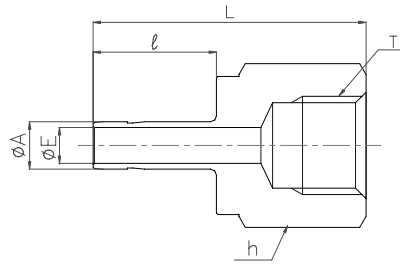
DHA

Male Adapter

Connects fractional BI-LOK port to female tapered pipe thread

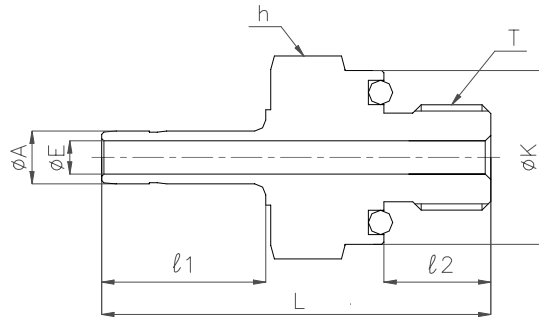


Part No.		A (Tube O. D)		T	E	E ₁	h (HEX)		ℓ	L
ANSI NPT	ISO/JIS R	in	mm	NPT/R	mm	mm	in	mm	mm	mm
DHA 2-1		1/8	3.18	1/16	1.8	3.0	7/16	11.11	14.0	26.9
DHA 2-2	DHA 2-R2	1/8	3.18	1/8	1.8	4.6	7/16	11.11	14.0	28.4
DHA 2-4	DHA 2-R4	1/8	3.18	1/4	1.8	7.1	9/16	14.29	14.0	33.5
DHA 3-2	DHA 3-R2	3/16	4.76	1/8	3.0	4.6	7/16	11.11	14.8	29.2
DHA 3-4	DHA 3-R4	3/16	4.76	1/4	3.0	7.1	9/16	14.29	14.8	34.0
DHA 4-2	DHA 4-R2	1/4	6.35	1/8	4.6	4.6	7/16	11.11	16.5	31.0
DHA 4-4	DHA 4-R4	1/4	6.35	1/4	4.6	7.1	9/16	14.29	16.5	35.5
DHA 4-6		1/4	6.35	3/8	4.6	10.4	11/16	17.46	16.5	36.5
	DHA 4-R6	1/4	6.35	3/8	4.6	10.4	11/16	17.46	16.5	37.5
DHA 4-8	DHA 4-R8	1/4	6.35	1/2	4.6	12.7	7/8	22.23	16.5	42.0
DHA 5-2	DHA 5-R2	5/16	7.94	1/8	6.4	4.6	7/16	11.11	17.2	31.8
DHA 5-4	DHA 5-R4	5/16	7.94	1/4	6.4	7.1	9/16	14.29	17.2	37.1
DHA 6-2	DHA 6-R2	3/8	9.53	1/8	7.1	4.6	7/16	11.11	18.0	33.3
DHA 6-4	DHA 6-R4	3/8	9.53	1/4	7.1	7.1	9/16	14.29	18.0	38.0
DHA 6-6		3/8	9.53	3/8	7.1	10.4	11/16	17.46	18.0	38.0
	DHA 6-R6	3/8	9.53	3/8	7.1	10.4	11/16	17.46	18.0	39.0
DHA 6-8	DHA 6-R8	3/8	9.53	1/2	7.1	12.7	7/8	22.23	18.0	43.5
DHA 8-2		1/2	12.7	1/8	9.9	4.6	9/16	14.29	23.5	39.6
	DHA 8-R2	1/2	12.7	1/8	9.9	4.6	9/16	14.29	23.5	40.0
DHA 8-4	DHA 8-R4	1/2	12.7	1/4	9.9	7.1	9/16	14.29	23.5	43.5
DHA 8-6		1/2	12.7	3/8	9.9	10.4	11/16	17.46	23.5	44.5
	DHA 8-R6	1/2	12.7	3/8	9.9	10.4	11/16	17.46	23.5	45.5
DHA 8-8	DHA 8-R8	1/2	12.7	1/2	9.9	12.7	7/8	22.23	23.5	49.0
DHA 8-12		1/2	12.7	3/4	9.9	18.3	1-1/16	26.99	23.5	49.9
	DHA 8-R12	1/2	12.7	3/4	9.9	18.3	1-1/16	26.99	23.5	51.9
DHA 10-6		5/8	15.88	3/8	12.7	10.4	11/16	17.46	25.2	46.0
	DHA 10-R6	5/8	15.88	3/8	12.7	10.4	11/16	17.46	25.2	47.0
DHA 10-8	DHA 10-R8	5/8	15.88	1/2	12.7	12.7	7/8	22.23	25.2	50.8
DHA 10-12		5/8	15.88	3/4	12.7	18.3	1-1/16	26.99	25.2	51.6
	DHA 10-R12	5/8	15.88	3/4	12.7	18.3	1-1/16	26.99	25.2	53.6
DHA 12-6	DHA 12-R4	3/4	19.05	1/4	15.0	7.1	7/8	22.23	25.2	46.0
	DHA 12-R6	3/4	19.05	3/8	15.0	10.4	7/8	22.23	25.2	45.7
DHA 12-8	DHA 12-R8	3/4	19.05	3/8	15.0	10.4	7/8	22.23	25.2	47.7
DHA 12-12		3/4	19.05	1/2	15.0	12.7	7/8	22.23	25.2	50.7
	DHA 12-R12	3/4	19.05	3/4	15.0	18.3	1-1/16	26.99	25.2	51.6
DHA 12-16	DHA 12-R16	3/4	19.05	3/4	15.0	18.3	1-1/16	26.99	25.2	53.6
	DHA 12-R16	3/4	19.05	1	15.0	22.5	1-3/8	34.93	25.2	57.9
DHA 14-12		7/8	22.23	3/4	17.3	18.3	1-1/16	26.99	27.0	53.1
	DHA 14-R12	7/8	22.23	3/4	17.3	18.3	1-1/16	26.99	27.0	55.1
DHA 16-12		1	25.4	3/4	20.1	18.3	1-1/16	26.99	32.5	58.0
	DHA 16-R12	1	25.4	3/4	20.1	18.3	1-1/16	26.99	32.5	60.0
DHA 16-16	DHA 16-R16	1	25.4	1	20.1	22.5	1-3/8	34.93	32.5	65.0

BI-LoK**DHC****Female Adapter
Connects fractional BI-LOK port to male tapered pipe thread**

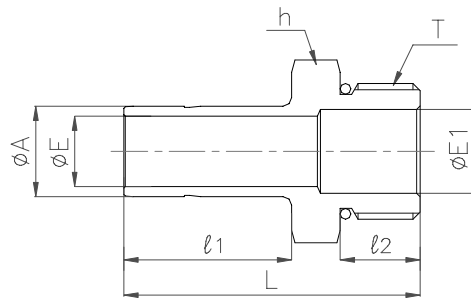
Part No.		A (Tube O.D.)		T	E	h (HEX)		ℓ	L	
ANSI NPT	ISO/JIS R _c	in	mm	NPT/ R _c	mm	in	mm	mm	mm	
DHC 2-2	DHC 2-R2	1/8	3.18	1/8	1.8	9/16	14.29	14.0	31.0	
DHC 2-4	DHC 2-R4	1/8	3.18	1/4	1.8	3/4	19.05	14.0	34.0	
DHC 3-2	DHC 3-R2	3/16	4.76	1/8	3.2	9/16	14.29	14.8	32.1	
DHC 3-4	DHC 3-R4	3/16	4.76	1/4	3.2	3/4	19.05	14.8	34.8	
DHC 4-2	DHC 4-R2	1/4	6.35	1/8	4.6	9/16	14.29	16.5	33.5	
DHC 4-4	DHC 4-R4	1/4	6.35	1/4	4.6	3/4	19.05	16.5	36.5	
DHC 4-6	DHC 4-R6	1/4	6.35	3/8	4.6	7/8	22.23	16.5	39.5	
DHC 4-8	DHC 4-R8	1/4	6.35	1/2	4.6	1-1/16	26.99	16.5	45.2	
DHC 5-2	DHC 5-R2	5/16	7.94	1/8	6.4	9/16	14.29	17.2	34.3	
DHC 5-4	DHC 5-R4	5/16	7.94	1/4	6.4	3/4	19.05	17.2	37.1	
DHC 6-2	DHC 6-R2	3/8	9.53	1/8	7.1	9/16	14.29	18.0	35.3	
DHC 6-4	DHC 6-R4	3/8	9.53	1/4	7.1	3/4	19.05	18.0	38.0	
DHC 6-6	DHC 6-R6	3/8	9.53	3/8	7.1	7/8	22.23	18.0	41.0	
DHC 6-8	DHC 6-R8	3/8	9.53	1/2	7.1	1-1/16	26.99	18.0	46.5	
DHC 8-4	DHC 8-R2	1/2	12.7	1/8	9.9	9/16	14.29	23.5	40.5	
	DHC 8-R4	1/2	12.7	1/4	9.9	3/4	19.05	23.5	43.5	
	DHC 8-6	DHC 8-R6	1/2	12.7	3/8	9.9	7/8	22.23	23.5	47.0
	DHC 8-8	DHC 8-R8	1/2	12.7	1/2	9.9	1-1/16	26.99	23.5	52.5
	DHC 8-R12	DHC 8-R12	1/2	12.7	3/4	9.9	1-5/16	33.34	23.5	54.0
DHC 10-6	DHC 10-R6	5/8	15.88	3/8	12.7	7/8	22.23	25.2	48.3	
DHC 10-8	DHC 10-R8	5/8	15.88	1/2	12.7	1-1/16	26.99	25.2	53.8	
DHC 10-12	DHC 10-R12	5/8	15.88	3/4	12.7	1-5/16	33.34	25.2	55.4	
DHC 12-8	DHC 12-R8	3/4	19.05	1/2	15.0	1-1/16	26.99	25.2	54.0	
DHC 12-12	DHC 12-R12	3/4	19.05	3/4	15.0	1-5/16	33.34	25.2	55.4	
DHC 12-16	DHC 12-R16	3/4	19.05	1	15.0	1-5/8	41.28	25.2	62.5	
DHC 14-12	DHC 14-R12	7/8	22.23	3/4	17.3	1-5/16	33.34	27.0	57.2	
DHC 16-12	DHC 16-R8	1	25.4	1/2	20.1	1-1/16	26.99	32.5	61.0	
	DHC 16-R12	1	25.4	3/4	20.1	1-5/16	33.34	32.5	62.0	
	DHC 16-R16	1	25.4	1	20.1	1-5/8	41.28	32.5	68.8	

BI-LoK	DHO	O-ring seal Male Adapter / Straight thread Connects fractional BI-LOK port to female UNF straight thread
---------------	------------	--



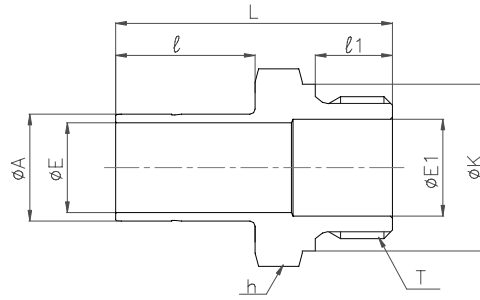
Part No.	A (Tube O. D)		T	E	h (HEX)		l ₁	l ₂	L	K	O-ring AS568 (NBR)
	in	mm	UNF	mm	in	mm	mm	mm	mm	mm	
DHO 2-2	1/8	3.18	5/16-24	1.8	9/16	14.29	14.0	8.6	32.5	14.0	-011
DHO 3-3	3/16	4.76	3/8-24	3.2	5/8	15.88	14.8	9.7	35.1	15.4	-012
DHO 4-4	1/4	6.35	7/16-20	4.6	3/4	19.05	16.5	10.4	39.1	18.5	-111
DHO 5-5	5/16	7.94	1/2-20	6.4	7/8	22.23	17.2	11.2	41.7	21.8	-112
DHO 6-6	3/8	9.53	9/16-18	7.1	15/16	23.81	18.0	11.9	43.2	23.6	-113
DHO 8-8	1/2	12.7	3/4-16	9.9	1-1/8	28.58	23.5	11.9	49.5	28.0	-116

BI-LoK	DHB	O-ring seal Male Adapter / Straight thread Connects fractional BI-LOK port to female UNF straight thread
---------------	------------	--



Part No.	A (Tube O. D)		T	E	E ₁	h (HEX)		l ₁	l ₂	L	O-ring AS568 (NBR)
	in	mm	UNF	mm	mm	in	mm	mm	mm	mm	
DHB 2-2	1/8	3.18	5/16-24	1.8	2.3	7/16	11.11	14.0	7.5	27.0	-902
DHB 4-4	1/4	6.35	7/16-20	4.6	4.6	9/16	14.29	16.5	9.0	33.0	-904
DHB 6-4	3/8	9.53	7/16-20	7.1	4.6	9/16	14.29	18.0	9.0	34.5	-904
DHB 6-6	3/8	9.53	9/16-18	7.1	7.1	11/16	17.46	18.0	10.0	34.7	-906
DHB 6-8	3/8	9.53	3/4-16	7.1	9.9	7/8	22.23	18.0	11.0	36.0	-908
DHB 8-6	1/2	12.7	9/16-18	9.9	9.9	11/16	17.46	23.5	10.0	40.0	-906
DHB 8-8	1/2	12.7	3/4-16	9.9	9.9	7/8	22.23	23.5	11.0	41.5	-908

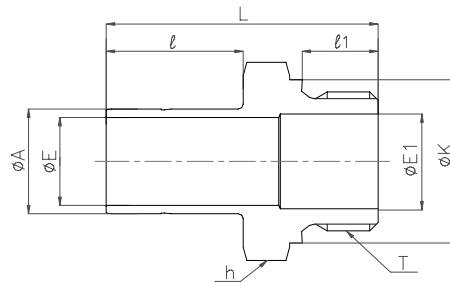
BI-LoK	DHQ	Bonded seal Male Adapter / Straight thread Connects fractional BI-LOK port to female ISO straight thread
---------------	------------	--



Part No.	A (Tube O. D)		T	E	E ₁	h (HEX)		l	l ₁	L	K
	in	mm				in	mm				
DHQ 4-G2	1/4	6.35	1/8	4.6	4.1	9/16	14.29	16.5	7.1	33.3	13.8
DHQ 4-G4	1/4	6.35	1/4	4.6	5.9	3/4	19.05	16.5	11.2	38.1	18.0
DHQ 6-G4	3/8	9.53	1/4	7.1	5.9	3/4	19.05	18.0	11.2	39.9	18.0
DHQ 6-G6	3/8	9.53	3/8	7.1	7.1	7/8	22.23	18.0	11.2	40.6	21.8
DHQ 8-G4	1/2	12.7	1/4	9.9	5.9	3/4	19.05	23.5	11.2	45.5	18.0
DHQ 8-G6	1/2	12.7	3/8	9.9	7.9	7/8	22.23	23.5	11.2	46.2	21.8
DHQ 8-G8	1/2	12.7	1/2	9.9	9.9	1-1/16	26.99	23.5	14.2	49.3	26.0

Note: Gasket dimension for bonded seal is shown in **DCQ** on page 34.

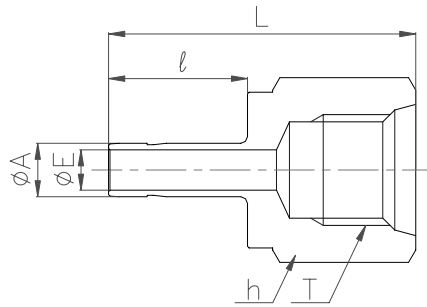
BI-LoK	DHJ	Cu Gasket seal Male Adapter / Straight thread Connects fractional BI-LOK port to female ISO straight thread
---------------	------------	---



Part No.	A (Tube O. D)		T	E	E ₁	h (HEX)		l	l ₁	L	K
	in	mm				in	mm				
DHJ 4-G2	1/4	6.35	1/8	4.6	4.1	9/16	14.29	16.5	7.1	33.3	13.8
DHJ 4-G4	1/4	6.35	1/4	4.6	5.9	3/4	19.05	16.5	11.2	36.4	18.0
DHJ 4-G6	1/4	6.35	3/8	4.6	4.6	7/8	22.23	16.5	11.2	38.8	21.8
DHJ 6-G4	3/8	9.53	1/4	7.1	5.9	3/4	19.05	18.0	11.2	39.9	18.0
DHJ 6-G6	3/8	9.53	3/8	7.1	7.9	7/8	22.23	18.0	11.2	39.2	21.8
DHJ 6-G8	3/8	9.53	1/2	7.1	7.1	1-1/16	26.99	18.0	14.2	43.7	26.0
DHJ 8-G4	1/2	12.7	1/4	9.9	5.9	3/4	19.05	23.5	11.2	45.5	18.0
DHJ 8-G6	1/2	12.7	3/8	9.9	7.9	7/8	22.23	23.5	11.2	46.2	21.8
DHJ 8-G8	1/2	12.7	1/2	9.9	9.9	1-1/16	26.99	23.5	14.2	49.3	26.0

Note: Cu Gasket dimension is shown in **DCJ** on page 35

BI-LoK	DHF	Gauge Adapter Connects fractional BI-LOK port to female UNF straight thread
---------------	------------	---

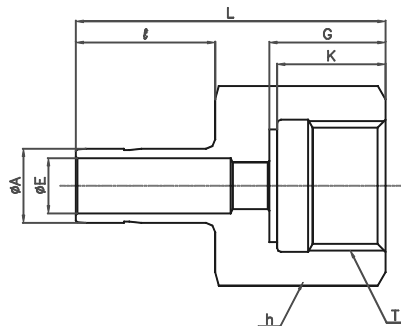


Part No.	A (Tube O. D)		T	E	h (HEX)		ℓ	L	O-ring AS568 (NBR)
	in	mm	UNF	mm	in	mm	mm	mm	
DHF 6-6	3/8	9.53	9/16-18	7.1	7/8	22.23	18.0	40.0	-906
DHF 6-8	3/8	9.53	3/4-16	7.1	1-1/16	26.99	18.0	44.0	-908
DHF 8-6	1/2	12.7	9/16-18	9.9	7/8	22.23	23.5	45.0	-906
DHF 8-8	1/2	12.7	3/4-16	9.9	1-1/16	26.99	23.5	48.0	-908

BI-LoK	DHF	Gauge Adapter Connects fractional BI-LOK port to female ISO/straight thread
---------------	------------	---

Part No.	A (Tube O. D)		T	E	h (HEX)		ℓ	L	O-ring JIS B 2401
	in	mm	G	mm	in	mm	mm	mm	
DHF 4-G4	1/4	6.35	1/4	4.6	3/4	19.05	16.5	36.5	IB-P11
DHF 4-G6	1/4	6.35	3/8	4.6	7/8	22.23	16.5	39.5	14

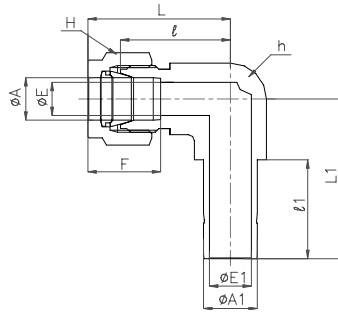
BI-LoK	DHG	Gauge Adapter Connects fractional BI-LOK port to female ISO/G straight thread
---------------	------------	---



Part No.	A (Tube O/D)		T	E	E ₁	h (HEX)		ℓ	G	L	K
	in	mm	G	mm	mm	in	mm	mm	mm	mm	mm
DHG 4-G4	1/4	6.35	1/4	4.6	6.0	3/4	19.05	16.5	15.0	38.0	14.0
DHG 4-G6	1/4	6.35	3/8	4.6	6.0	7/8	22.23	16.5	15.0	40.0	14.0
DHG 6-G6	3/8	9.53	3/8	7.1	6.0	7/8	22.23	18.0	15.0	40.0	14.0
DHG 8-G8	1/2	12.7	1/2	9.9	6.0	1-1/16	26.99	23.5	17.0	47.5	16.0

Note: Gasket dimension is shown in **DGA** on page 36.

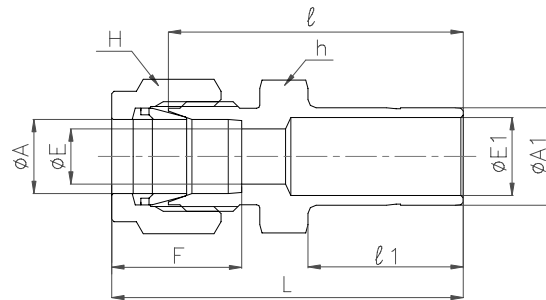
BI-LoK	DLH	Elbow Adapter Connects fractional tubes
---------------	------------	---



H : See dimensional data(Last page)

Part No.	A(Tube O. D)		A ₁ (Tube O. D)		E	E ₁	h(Flat)		l	l ₁	L	L ₁	F
	in	mm	in	mm	mm	mm	in	mm	mm	mm	mm	mm	mm
DLH 4-4	1/4	6.35	1/4	6.35	4.8	4.6	5/8	15.9	19.8	16.5	27.3	26.2	15.4
DLH 5-5	5/16	7.94	5/16	7.94	6.4	6.4	5/8	15.9	22.4	17.2	29.9	26.9	16.3
DLH 6-6	3/8	9.53	3/8	9.53	7.1	7.1	5/8	15.9	23.1	18.0	30.6	27.7	17.0
DLH 8-8	1/2	12.7	1/2	12.7	10.4	9.9	13/16	20.6	26.2	23.5	36.5	39.9	23.0

BI-LoK	DRE	Reducer Connects fractional tube to metric BI-LOK port
---------------	------------	--



H : See dimensional data(Last page)

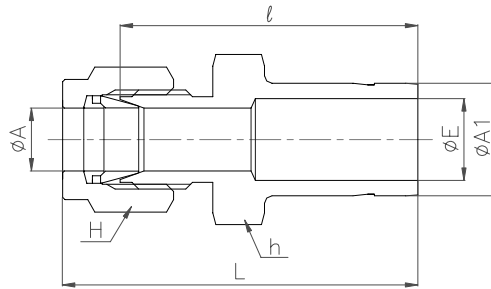
Part No.	A(Tube O. D)		A ₁	E	E ₁	h(HEX)		l	l ₁	L	F
	in	mm	mm	mm	mm	in	mm	mm	mm	mm	mm
DRE 1-6M	1/16	1.59	6	1.3	4.0	7/16	11.11	28.7	16.5	32.7	8.9
DRE 2-6M	1/8	3.18	6	2.3	4.0	7/16	11.11	30.2	16.5	36.9	13.0
DRE 4-3M	1/4	6.35	3	4.8	1.5	1/2	12.7	29.7	14.0	37.2	15.4
DRE 4-6M	1/4	6.35	6	4.8	4.0	1/2	12.7	32.6	16.5	40.1	15.4
DRE 6-6M	3/8	9.53	6	7.1	4.0	5/8	15.88	34.8	16.5	42.3	17.0
DRE 6-10M	3/8	9.53	10	7.1	8.0	5/8	15.88	36.3	18.0	43.8	17.0
DRE 8-12M	1/2	12.7	12	10.4	9.5	13/16	20.64	43.3	23.5	53.6	23.0

BI-LoK	DRE	Reducer Connects fractional tube to fractional BI-LOK port
---------------	------------	---

H : See dimensional data(Last page)

Part No.	A (Tube O.D)		A ₁ (Tube O.D)		E	E ₁	h (HEX)		ℓ	ℓ ₁	L	F
	in	mm	in	mm	mm	mm	in	mm	mm	mm	mm	mm
DRE 1-2	1/16	1.59	1/8	3.18	1.3	2.0	5/16	7.94	25.4	14.0	29.4	8.9
DRE 1-4	1/16	1.59	1/4	6.35	1.3	4.8	5/16	7.94	27.9	16.5	31.9	8.9
DRE 1-6	1/16	1.59	3/8	9.53	1.3	7.1	7/16	11.11	30.0	18.0	34.0	8.9
DRE 2-2	1/8	3.18	1/8	3.18	2.3	2.0	7/16	11.11	27.0	14.0	33.7	13.0
DRE 2-3	1/8	3.18	3/16	4.76	2.3	3.0	7/16	11.11	27.7	14.8	34.4	13.0
DRE 2-4	1/8	3.18	1/4	6.35	2.3	4.8	7/16	11.11	29.5	16.5	36.2	13.0
DRE 2-5	1/8	3.18	5/16	7.94	2.3	6.4	7/16	11.11	30.2	17.2	36.9	13.0
DRE 2-6	1/8	3.18	3/8	9.53	2.3	7.1	7/16	11.11	31.0	18.0	37.7	13.0
DRE 2-8	1/8	3.18	1/2	12.7	2.3	9.9	9/16	14.29	37.4	23.5	44.1	13.0
DRE 3-4	3/16	4.76	1/4	6.35	3.0	4.8	7/16	11.11	30.5	16.5	37.2	13.8
DRE 3-5	3/16	4.76	5/16	7.94	3.0	6.4	7/16	11.11	31.2	17.2	37.9	13.8
DRE 3-8	3/16	4.76	1/2	12.7	3.0	9.9	9/16	14.29	38.0	23.5	46.8	13.8
DRE 4-2	1/4	6.35	1/8	3.18	4.8	2.0	1/2	12.7	29.5	14.0	37.0	15.4
DRE 4-3	1/4	6.35	3/16	4.76	4.8	3.0	1/2	12.7	30.2	14.8	37.7	15.4
DRE 4-4	1/4	6.35	1/4	6.35	4.8	4.8	1/2	12.7	31.8	16.5	39.3	15.4
DRE 4-5	1/4	6.35	5/16	7.94	4.8	6.4	1/2	12.7	32.5	17.2	40.0	15.4
DRE 4-6	1/4	6.35	3/8	9.53	4.8	7.1	1/2	12.7	33.3	18.0	40.8	15.4
DRE 4-8	1/4	6.35	1/2	12.7	4.8	9.9	9/16	14.29	39.0	23.5	46.5	15.4
DRE 4-10	1/4	6.35	5/8	15.88	4.8	12.7	11/16	17.46	40.7	25.2	48.2	15.4
DRE 4-12	1/4	6.35	3/4	19.05	4.8	15.0	7/8	22.23	43.0	25.2	50.5	15.4
DRE 5-6	5/16	7.94	3/8	9.53	6.4	7.1	9/16	14.29	34.6	18.0	42.1	16.3
DRE 5-8	5/16	7.94	1/2	12.7	6.4	9.9	9/16	14.29	40.1	23.5	47.6	16.3
DRE 6-2	3/8	9.53	1/8	3.18	7.1	2.0	5/8	15.88	31.5	14.0	39.0	17.0
DRE 6-3	3/8	9.53	3/16	4.76	7.1	3.0	5/8	15.88	32.3	14.8	39.8	17.0
DRE 6-4	3/8	9.53	1/4	6.35	7.1	4.8	5/8	15.88	34.0	16.5	41.5	17.0
DRE 6-5	3/8	9.53	5/16	7.94	7.1	6.4	5/8	15.88	34.7	17.2	42.2	17.0
DRE 6-6	3/8	9.53	3/8	9.53	7.1	7.1	5/8	15.88	35.5	18.0	43.0	17.0
DRE 6-8	3/8	9.53	1/2	12.7	7.1	9.9	5/8	15.88	41.0	23.5	48.5	17.0
DRE 6-10	3/8	9.53	5/8	15.88	7.1	12.7	11/16	17.46	42.9	25.2	50.4	17.0
DRE 6-12	3/8	9.53	3/4	19.05	7.1	15.0	13/16	20.64	43.0	25.2	50.5	17.0
DRE 6-14	3/8	9.53	7/8	22.23	7.1	17.3	15/16	23.81	46.0	27.0	53.5	17.0
DRE 8-4	1/2	12.7	1/4	6.35	10.4	4.8	13/16	20.64	35.5	16.5	45.8	23.0
DRE 8-6	1/2	12.7	3/8	9.53	10.4	7.1	13/16	20.64	37.0	18.0	47.3	23.0
DRE 8-8	1/2	12.7	1/2	12.7	10.4	9.9	13/16	20.64	42.5	23.5	52.8	23.0
DRE 8-10	1/2	12.7	5/8	15.88	10.4	12.7	13/16	20.64	43.7	25.2	54.0	23.0
DRE 8-12	1/2	12.7	3/4	19.05	10.4	15.0	13/16	20.64	43.7	25.2	54.0	23.0
DRE 8-16	1/2	12.7	1	25.4	10.4	20.1	1-1/16	26.99	50.0	32.5	60.3	23.0
DRE 10-8	5/8	15.88	1/2	12.7	12.7	9.9	15/16	23.81	43.0	23.5	53.3	24.6
DRE 10-12	5/8	15.88	3/4	19.05	12.7	15.0	15/16	23.81	44.5	25.2	54.8	24.6
DRE 10-14	5/8	15.88	7/8	22.23	12.7	17.3	15/16	23.81	46.0	27.0	56.3	24.6
DRE 10-16	5/8	15.88	1	25.4	12.7	20.1	1-1/16	26.99	51.5	32.5	61.8	24.6
DRE 12-4	3/4	19.05	1/4	6.35	15.8	4.8	1-1/16	26.99	37.9	16.5	48.2	24.6
DRE 12-6	3/4	19.05	3/8	9.53	15.8	7.1	1-1/16	26.99	39.4	18.0	49.7	24.6
DRE 12-8	3/4	19.05	1/2	12.7	15.8	9.9	1-1/16	26.99	45.5	23.5	55.8	24.6
DRE 12-10	3/4	19.05	5/8	15.88	15.8	12.7	1-1/16	26.99	46.0	25.2	56.3	24.6
DRE 12-14	3/4	19.05	7/8	22.23	15.8	17.3	1-1/16	26.99	47.0	27.0	57.3	24.6
DRE 12-16	3/4	19.05	1	25.4	15.8	20.1	1-1/16	26.99	52.5	32.5	62.8	24.6
DRE 14-6	7/8	22.23	3/8	9.53	18.3	7.1	1-3/16	30.16	41.5	18.0	51.7	26.1
DRE 14-12	7/8	22.23	3/4	19.05	18.3	15.0	1-3/16	30.16	48.3	25.2	58.5	26.1
DRE 16-8	1	25.4	1/2	12.7	22.5	9.9	1-3/8	34.93	51.5	23.5	64.1	31.6
DRE 16-12	1	25.4	3/4	19.05	22.5	15.0	1-3/8	34.93	53.2	25.2	65.8	31.6
DRE 16-14	1	25.4	7/8	22.23	22.5	17.3	1-3/8	34.93	53.2	27.0	65.8	31.6

BI-LoK	DREZ	Reducer/ Bored-through Connects fractional tube to fractional BI-LoK port
---------------	-------------	---



H : See dimensional data(Last page)

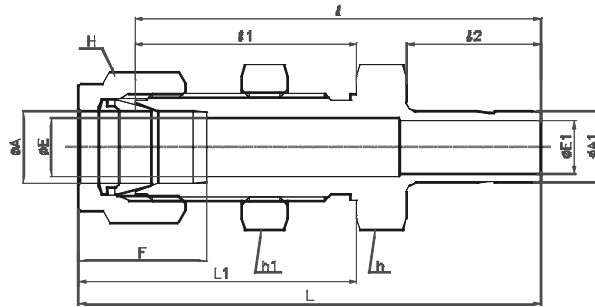
Part No.	A (Tube O. D)		A ₁ (Tube O. D)		E	h (HEX)		ℓ	ℓ ₁	L
	in	mm	in	mm		in	mm			
DREZ 1-2	1/16	1.59	1/8	3.18	2.0	5/16	7.94	25.4	14.0	29.4
DREZ 1-4	1/16	1.59	1/4	6.35	4.8	5/16	7.94	27.9	16.5	31.9
DREZ 1-6	1/16	1.59	3/8	9.53	7.1	7/16	11.11	30.0	18.0	34.0
DREZ 2-4	1/8	3.18	1/4	6.35	4.8	7/16	11.11	29.5	16.5	36.2
DREZ 2-6	1/8	3.18	3/8	9.53	7.1	7/16	11.11	31.0	18.0	37.7
DREZ 4-6	1/4	6.35	3/8	9.53	7.1	1/2	12.7	33.3	18.0	40.8
DREZ 4-8	1/4	6.35	1/2	12.7	9.9	9/16	14.29	39.0	23.5	46.5
DREZ 6-10	3/8	9.53	5/8	15.88	12.7	11/16	17.46	42.9	25.2	50.4
DREZ 6-12	3/8	9.53	3/4	19.05	15.0	13/16	20.64	43.0	25.2	50.5

BI-LoK	DREZ	Reducer/ Bored-through Connects fractional tube to Metric BI-LoK port
---------------	-------------	---

H : See dimensional data(Last page)

Part No.	A (Tube O. D)		A ₁ (Tube O. D)	E	h (HEX)		ℓ	ℓ ₁	L
	in	mm	mm		in	mm			
DREZ 1-6M	1/16	1.59	6	4.0	7/16	11.11	28.7	16.5	32.7
DREZ 2-6M	1/8	3.18	6	4.0	7/16	11.11	30.2	16.5	36.9
DREZ 2-10M	1/8	3.18	10	8.0	7/16	11.11	34.2	18.0	41.7

BI-LoK	DSE	Bulkhead Reducer Connects fractional tube to fractional BI-LoK Port
---------------	------------	---

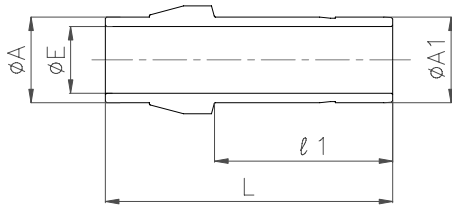


H : See dimensional data(Last page)

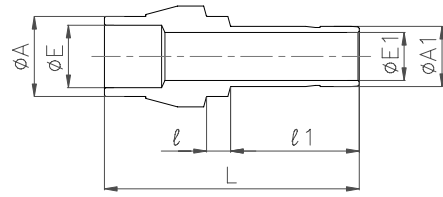
Part No.	A(Tube O. D)		A ₁ (Tube O. D)		E	E ₁	h(HEX)		l	l ₁	l ₂	L	L ₁	F
	in	mm	in	mm	mm	mm	in	mm	mm	mm	mm	mm	mm	mm
DSE 2-2	1/8	3.18	1/8	3.18	2.3	1.8	1/2	12.7	42.9	24.6	14.0	49.6	31.3	13.0
DSE 4-4	1/4	6.35	1/4	6.35	4.8	4.8	5/8	15.88	48.3	26.0	16.5	55.8	33.5	15.4
DSE 5-5	5/16	7.94	5/16	7.94	6.4	6.4	11/16	17.46	52.1	28.5	17.2	59.6	36.0	16.3
DSE 6-6	3/8	9.53	3/8	9.53	7.1	7.1	3/4	19.05	54.1	29.5	18.0	61.6	37.0	17.0
DSE 8-8	1/2	12.7	1/2	12.7	10.4	9.9	15/16	23.81	62.7	32.0	23.5	73.0	42.3	23.0

Part No.	Panel	
	Hole	Thick
DSE 2-2	8.3	12.7
DSE 4-4	11.5	10.2
DSE 5-5	13.1	10.9
DSE 6-6	14.7	11.2
DSE 8-8	19.4	12.7

BI-LoK	D P C	Port Connector Connects to fractional BI-LOK Port
---------------	--------------	---



Straight type



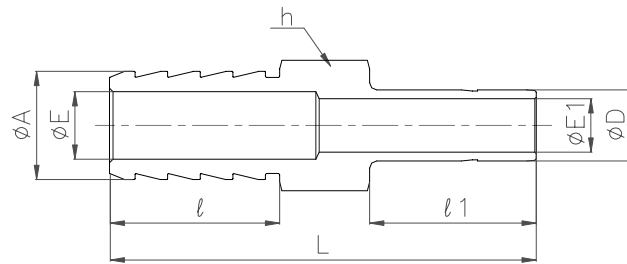
Reducing type

Part No.	A (Tube O. D)		A ₁ (Tube O. D)		E	E ₁	L	ℓ ₁	ℓ
	in	mm	in	mm	mm	mm	mm	mm	mm
DPC 1-1	1/16	1.59	1/16	1.59	0.6	0.6	15.4	10.0	–
DPC 2-1	1/8	3.18	1/16	1.59	2.1	0.6	21.0	10.0	2.8
DPC 2-2	1/8	3.18	1/8	3.18	2.1	2.1	24.6	16.3	–
DPC 4-1	1/4	6.35	1/16	1.59	4.8	0.6	22.4	10.0	3.6
DPC 4-2	1/4	6.35	1/8	3.18	4.8	2.1	28.7	16.3	3.6
DPC 4-4	1/4	6.35	1/4	6.35	4.8	4.8	27.7	18.8	–
DPC 5-5	5/16	7.94	5/16	7.94	6.3	6.3	28.9	20.0	–
DPC 6-4	3/8	9.53	1/4	6.35	7.6	4.8	31.5	18.8	3.6
DPC 6-6	3/8	9.53	3/8	9.53	7.6	7.6	29.5	20.3	–
DPC 8-4	1/2	12.7	1/4	6.35	9.9	4.8	38.7	18.8	3.8
DPC 8-6	1/2	12.7	3/8	9.53	9.9	7.6	40.2	20.3	3.8
DPC 8-8	1/2	12.7	1/2	12.7	9.9	9.9	42.4	26.2	–
DPC 10-10	5/8	15.88	5/8	15.88	12.7	12.7	45.8	27.7	–
DPC 12-6	3/4	19.05	3/8	9.53	15.0	7.6	42.2	20.3	3.8
DPC 12-8	3/4	19.05	1/2	12.7	15.0	9.9	45.0	23.1	3.8
DPC 12-12	3/4	19.05	3/4	19.05	15.0	15.0	45.8	27.7	–
DPC 16-16	1	25.4	1	25.4	20.1	20.1	58.0	36.0	–

BI-LoK	D P C	Port Connector Connects fractional BI-LOK Port to metric BI-LOK Port
---------------	--------------	--

Part No.	A (Tube O. D)		A ₁ (Tube O. D)	E	E ₁	L	ℓ ₁	ℓ
	in	mm	mm	mm	mm	mm	mm	mm
DPC 4-6M	1/4	6.35	6	4.8	4.0	31.4	19.0	3.6

<i>BI-LoK</i>	DAH	Hose Adapter Connects Hose to fractional BI-LOK Port
---------------	------------	---

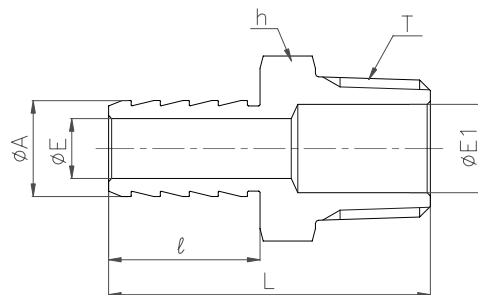


Part No.	A (Hose I. D)		D (Tube O. D)		E	E_1	h (HEX)		L	ℓ	ℓ_1
	in	mm	in	mm	mm	mm	in	mm	mm	mm	mm
DAH 4-4	1/4	7.7	1/4	6.35	4.8	4.6	7/16	11.11	46.5	20.0	16.5
DAH 5-4	5/16	9.5	1/4	6.35	4.8	4.8	7/16	11.11	48.5	22.0	16.5
DAH 6-4	3/8	11.4	1/4	6.35	7.6	4.6	1/2	12.7	49.0	22.0	16.5
DAH 6-6	3/8	11.4	3/8	9.53	7.6	7.1	9/16	14.29	50.5	22.0	18.0
DAH 12-12	3/4	22.9	3/4	19.05	15.0	15.0	1-1/16	26.99	62.0	27.0	25.2

<i>BI-LoK</i>	DAH	Hose Adapter Connects Hose to metric BI-LOK Port
---------------	------------	---

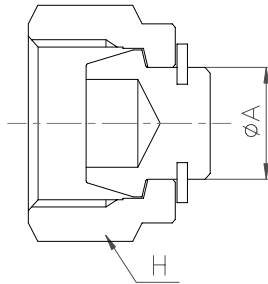
Part No.	A (Hose ID)		D (Tube OD)	E	E_1	h (HEX)		L	ℓ	ℓ_1
	in	mm	mm	mm	mm	in	mm	mm	mm	mm
DAH 4-6M	1/4	7.7	6	4.8	4.6	7/16	11.11	47.0	20.0	16.5
DAH 4-8M	1/4	7.7	8	4.8	6.4	7/16	11.11	48.0	20.0	17.2
DAH 6-8M	3/8	11.4	8	7.6	6.4	1/2	12.7	49.0	22.0	17.2
DAH 8-12M	1/2	15.2	12	9.5	9.5	5/8	15.88	61.0	24.0	23.5

<i>BI-LoK</i>	DAT	Hose Adapter Connects Hose to Female NPT thread
---------------	------------	--



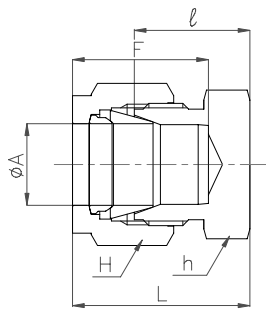
Part No.	A (Hose I. D)		T	E	E_1	h (HEX)		L	ℓ
	in	mm	NPT	mm	mm	in	mm	mm	mm
DAT 2-2	1/8	3.8	1/8	2.0	4.8	7/16	11.11	27.4	10.1
DAT 3-2	3/16	5.8	1/8	3.0	3.0	7/16	11.11	32.3	15.0
DAT 4-2	1/4	7.7	1/8	4.8	4.8	7/16	11.11	37.3	20.0
DAT 6-6	3/8	11.4	3/8	7.6	7.6	11/16	17.46	44.2	22.0
DAT 8-6	1/2	15.2	3/8	9.5	9.5	11/16	17.46	46.0	24.0

BI-LoK	DBA	Plug Fractional tube
---------------	------------	---------------------------------



Part No.	A (Tube O. D)		H (HEX)	
	in	mm	in	mm
DBA 1	1/16	1.59	5/16	7.94
DBA 2	1/8	3.18	7/16	11.11
DBA 3	3/16	4.76	1/2	12.7
DBA 4	1/4	6.35	9/16	14.29
DBA 5	5/16	7.94	5/8	15.88
DBA 6	3/8	9.53	11/16	17.46
DBA 8	1/2	12.7	7/8	22.23
DBA 10	5/8	15.88	1	25.4
DBA 12	3/4	19.05	1-1/8	28.58
DBA 14	7/8	22.23	1-1/4	31.75
DBA 16	1	25.4	1-1/2	38.1

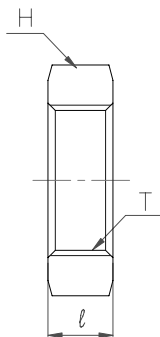
BI-LoK	DCA	Cap Caps end of fractional tube
---------------	------------	--



H : See dimensional data (Last page)

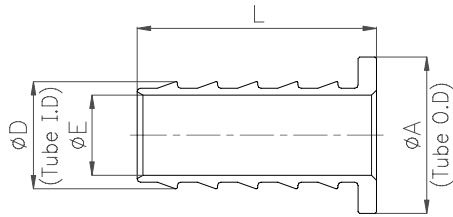
Part No.	A (Tube O. D)		h (HEX)		ℓ	L	F
	in	mm	in	mm	mm	mm	mm
DCA 1	1/16	1.59	5/16	7.94	11.0	15.0	8.9
DCA 2	1/8	3.18	7/16	11.11	13.5	20.2	13.0
DCA 3	3/16	4.76	7/16	11.11	15.0	21.7	13.8
DCA 4	1/4	6.35	1/2	12.7	16.0	23.5	15.4
DCA 5	5/16	7.94	9/16	14.29	17.0	24.5	16.3
DCA 6	3/8	9.53	5/8	15.88	18.5	26.0	17.0
DCA 8	1/2	12.7	13/16	20.64	19.5	29.8	23.0
DCA 10	5/8	15.88	15/16	23.81	20.0	30.3	24.6
DCA 12	3/4	19.05	1-1/16	26.99	21.5	31.8	24.6
DCA 14	7/8	22.23	1-3/16	30.16	23.9	34.1	26.1
DCA 16	1	25.4	1-3/8	34.93	26.1	38.7	31.6

BI-LoK	DNN	Lock Nut for bulkhead type
---------------	------------	---------------------------------------



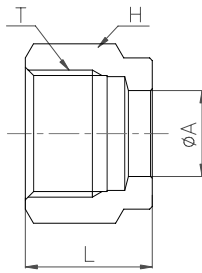
Part No.	H (HEX)		T	ℓ
	in	mm	UNF	mm
DNN 1	5/16	7.94	10-32	4.0
DNN 2	1/2	12.7	5/16-20	4.5
DNN 3	9/16	14.29	3/8-20	5.5
DNN 4	5/8	15.88	7/16-20	6.0
DNN 5	11/16	17.46	1/2-20	6.0
DNN 6	3/4	19.05	9/16-20	6.0
DNN 8	15/16	23.81	3/4-20	7.0
DNN 10	1-1/16	26.99	7/8-20	8.0
DNN 12	1-3/16	30.16	1-20	9.0
DNN 14	1-3/8	34.93	1-1/8-20	10.8
DNN 16	1-5/8	41.28	1-5/16-20	11.9

BI-LoK	DTI	Insert (Saw type) for fractional plastics tube
---------------	------------	---



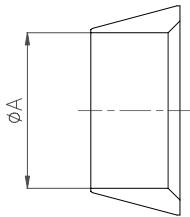
Part No.	A (Tube O. D)		D (Tube I. D)		E	L
	in	mm	in	mm		
DTI 3-2	3/16	4.76	1/8	3.18	2.3	11.9
DTI 4-2	1/4	6.35	1/8	3.18	2.3	11.9
DTI 4-2.5	1/4	6.35	5/32	3.97	2.7	11.9
DTI 4-2.72	1/4	6.35	2.72/16	4.32	2.7	11.9
DTI 4-3	1/4	6.35	3/16	4.76	3.5	11.9
DTI 5-2	5/16	7.94	1/8	3.18	2.3	11.9
DTI 5-3	5/16	7.94	3/16	4.76	3.0	14.3
DTI 5-4	5/16	7.94	1/4	6.35	4.8	14.3
DTI 6-3	3/8	9.53	3/16	4.76	3.0	14.3
DTI 6-4	3/8	9.53	1/4	6.35	4.8	14.3
DTI 8-4	1/2	12.7	1/4	6.35	4.8	19.1
DTI 8-6	1/2	12.7	3/8	9.53	7.9	19.1
DTI 10-6	5/8	15.88	3/8	9.53	7.9	21.5
DTI 10-8	5/8	15.88	1/2	12.7	11.2	21.8
DTI 12-8	3/4	19.05	1/2	12.7	11.2	21.8
DTI 12-10	3/4	19.05	5/8	15.88	14.2	21.8
DTI 16-12	1	25.4	3/4	19.05	17.5	23.8
DTI 16-14	1	25.4	7/8	22.23	20.6	23.8

BI-LoK	DNA	Nut Fractional tube
---------------	------------	--------------------------------



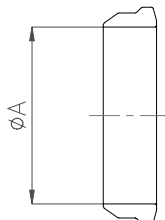
Part No.	A (Tube O. D)		H (HEX)		L mm	T (Straight thread)
	in	mm	in	mm		
DNA 1	1/16	1.59	5/16	7.94	8.0	10-32UNF
DNA 2	1/8	3.18	7/16	11.11	11.9	5/16-20UN
DNA 3	3/16	4.76	1/2	12.7	11.9	3/8-20UN
DNA 4	1/4	6.35	9/16	14.29	12.7	7/16-20UNF
DNA 5	5/16	7.94	5/8	15.88	13.5	1/2-20UNF
DNA 6	3/8	9.53	11/16	17.46	14.2	9/16-20UN
DNA 8	1/2	12.7	7/8	22.23	17.5	3/4-20UNEF
DNA 10	5/8	15.88	1	25.4	17.5	7/8-20UNEF
DNA 12	3/4	19.05	1-1/8	28.58	17.5	1-20UNEF
DNA 14	7/8	22.23	1-1/4	31.75	17.5	1-1/8-20UN
DNA 16	1	25.4	1-1/2	38.1	20.6	1-5/16-20UN

BI-LoK	DOF	Front Ferrule Fractional tube
---------------	------------	--

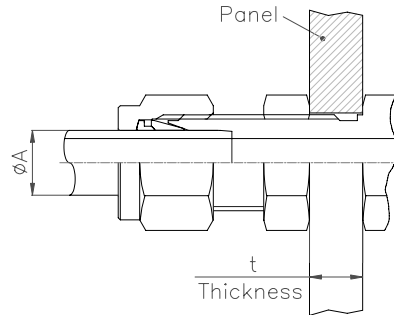
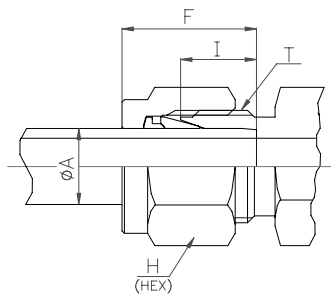


Part No.	A (Tube O. D)	
	in	mm
DOF 1	1/16	1.59
DOF 2	1/8	3.18
DOF 3	3/16	4.76
DOF 4	1/4	6.35
DOF 5	5/16	7.94
DOF 6	3/8	9.53
DOF 8	1/2	12.7
DOF 10	5/8	15.88
DOF 12	3/4	19.05
DOF 14	7/8	22.23
DOF 16	1	25.4

BI-LoK	DOB	Back Ferrule Fractional tube
---------------	------------	---



Part No.	A (Tube O. D)	
	in	mm
DOB 1	1/16	1.59
DOB 2	1/8	3.18
DOB 3	3/16	4.76
DOB 4	1/4	6.35
DOB 5	5/16	7.94
DOB 6	3/8	9.53
DOB 8	1/2	12.7
DOB 10	5/8	15.88
DOB 12	3/4	19.05
DOB 14	7/8	22.23
DOB 16	1	25.4



Fractional tube series

Nominal Size	Tube end dimensional data						Panel size for Bulkhead		
	A (Tube O.D)		T Unified Straight thread	I	H (Hex)		F	Panel Hole Drill dia	Panel wall thickness(t)
	in	mm			mm	in			
1	1/16	1.59	10-32	4.9	5/16	7.94	8.9	5.2	3.0
2	1/8	3.18	5/16-20	6.4	7/16	11.11	13.0	8.3	12.7
3	3/16	4.76	3/8-20	7.2	1/2	12.7	13.8	9.9	12.7
4	1/4	6.35	7/16-20	7.9	9/16	14.29	15.4	11.5	10.2
5	5/16	7.94	1/2-20	8.8	5/8	15.88	16.3	13.1	10.9
6	3/8	9.53	9/16-20	9.5	11/16	17.46	17.0	14.7	11.2
8	1/2	12.7	3/4-20	12.7	7/8	22.23	23.0	19.4	12.7
10	5/8	15.88	7/8-20	14.3	1	25.4	24.6	22.6	12.7
12	3/4	19.05	1-20	14.3	1-1/8	28.58	24.6	25.8	16.8
14	7/8	22.23	1-1/8-20	15.9	1-1/4	31.75	26.1	29.0	19.6
16	1	25.4	1-5/16-20	19.1	1-1/2	38.1	31.6	33.7	19.1

Metric tube series

Nominal Size	Tube end dimensional data						Panel size for Bulkhead		
	A (Tube O.D)		T Unified Straight thread	I	H (Hex)		F	Panel Hole Drill dia	Panel wall thickness(t)
	mm	mm			mm	mm			
2M	2		1/4-24	5.6	1 2		11.1	6.7	3.0
3M	3		5/16-20	6.4	1 2		13.0	8.3	12.7
4M	4		3/8-20	7.2	1 3		13.9	9.9	10.4
6M	6		7/16-20	7.9	1 4		15.4	11.5	9.7
8M	8		1/2-20	8.8	1 7		16.3	13.1	11.4
10M	10		5/8-20	9.5	1 9		17.3	16.3	11.6
12M	12		3/4-20	12.7	2 2		22.9	19.4	13.1
15M	15		7/8-20	14.3	2 7		24.3	22.6	12.0
16M	16		7/8-20	14.3	2 7		24.5	22.6	12.0
18M	18		1-20	14.3	3 0		24.5	25.8	16.7
20M	20		1-1/16-20	14.3	3 0		24.5	27.0	16.7
22M	22		1-1/8-20	15.9	3 2		26.1	29.0	16.7
25M	25		1-5/16-20	19.1	4 1		31.6	33.7	20.0

Schedule pipe series

Nominal Size	Tube end dimensional data						Panel size for Bulkhead		
	A (Tube O.D)		T Unified Straight thread	I	H (Hex)		F	Panel Hole Drill dia	Panel wall thickness(t)
	in	mm			mm	mm			
10.5	1/8B	10.5	3/4-20	12.7	2 2		22.7	19.4	11.1
13.8	1/4B	13.8	13/16-20	12.7	2 4		23.3	21.0	12.1
17.3	3/8B	17.3	1-20	14.3	3 0		24.5	25.8	14.9
21.7	1/2B	21.7	1-1/8-20	15.9	3 2		26.1	29.0	19.5

