

RoHS Compliant

**ep** fit

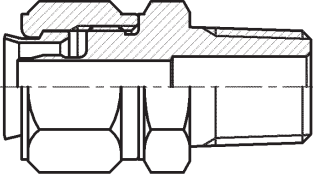
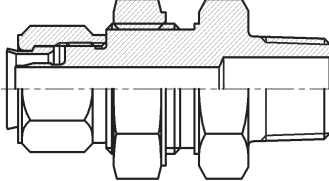
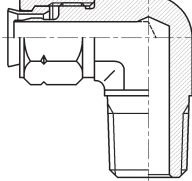
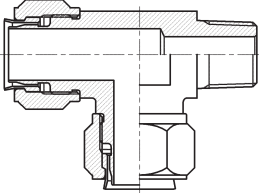
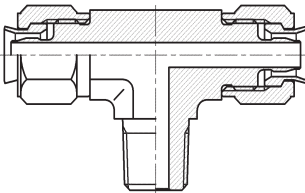
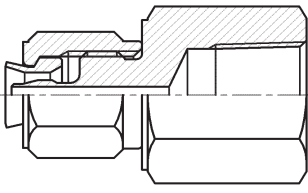
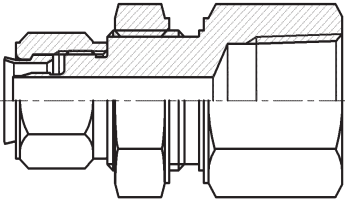
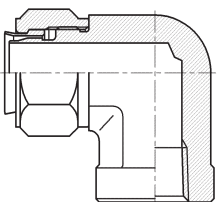
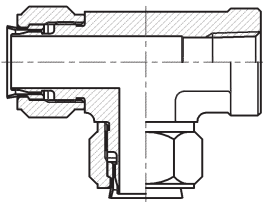
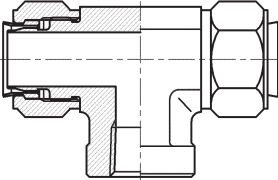
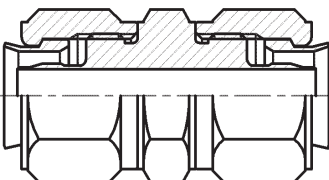
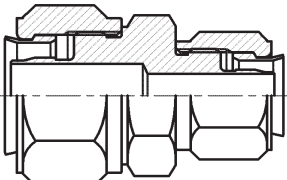
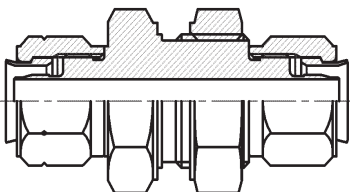
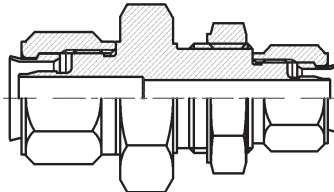
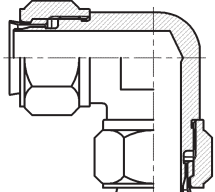
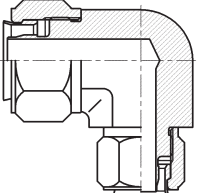
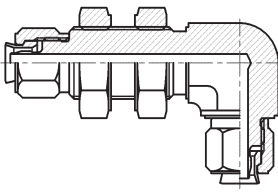
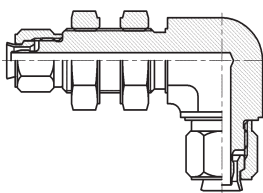
Stainless fitting for plastic tube

# **DIMENSION SHEET**

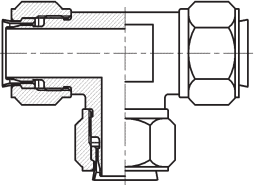
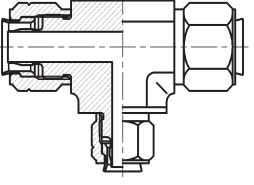
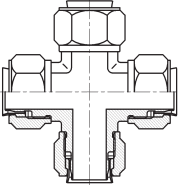
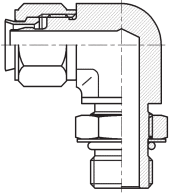
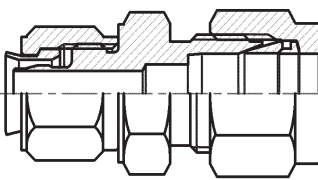
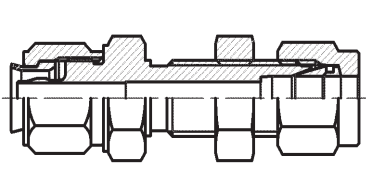
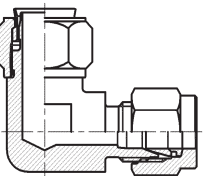
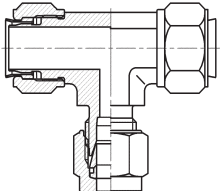
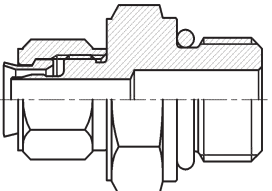
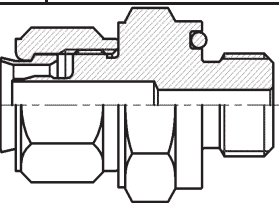
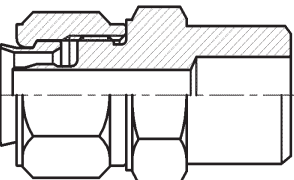
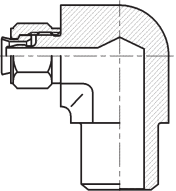
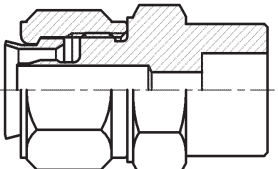
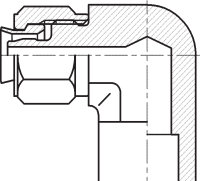
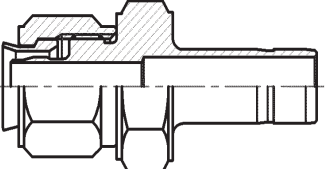
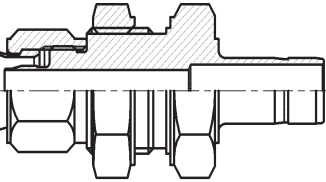
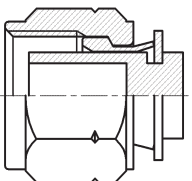
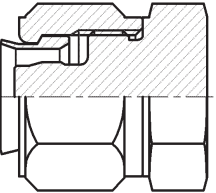
**Fractional Series**

*IHARA SCIENCE CORPORATION*

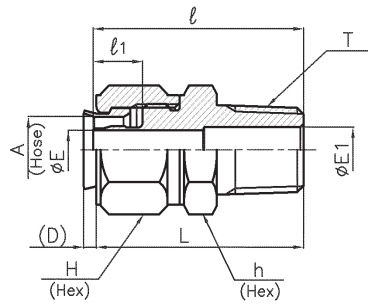
# Visual Index

4	Male Connector EPCT	5	Bulkhead Male Connector EPSC	6	Male Elbow EPLN
					
7	Male Run Tee EPTK	7	Male Branch Tee EPTN	8	Female Connector EPSA
					
9	Bulkhead Female Connector EPSS	9	Female Elbow Connector EPLF	10	Female Run Tee EPTF
					
10	Female Branch Tee EPTH	11	Union EPUA	11	Reducing Union EPUR
					
12	Bulkhead Union EPSU	12	Bulkhead Reducing Union EPSUR	13	Union Elbow EPLA
					
13	Reducing Union Elbow EPLR	14	Bulkhead Union Elbow EPSL	14	Bulkhead Reducing Union Elbow EPSLR
					

# Visual Index

15	Union Tee EPTA	15	Reducing Union Tee EPTR	16	Union Cross EPXA
					
16	Positional Elbow EPL0	17	BI-Lok to Epfit Union EPUY	18	BI-Lok to Epfit Bulkhead Union EPSUY
					
19	BI-Lok to Epfit Elbow EPLY	20	BI-Lok to Epfit Tee EPTY	21	O-ring seal Connector EPCU
					
22	O-ring seal Connector EPCO	23	Male Pipe Weld Connector EPCB	23	Male Pipe Weld Elbow EPLB
					
24	Tube Socket Weld Connector EPCW	25	Tube Socket Weld Elbow EPLW	25	Reducer for BI-Lok EPRE
					
26	Bulkhead Reducer for BI-Lok EPSE	26	Plug EPFA	27	Cap EPCA
					





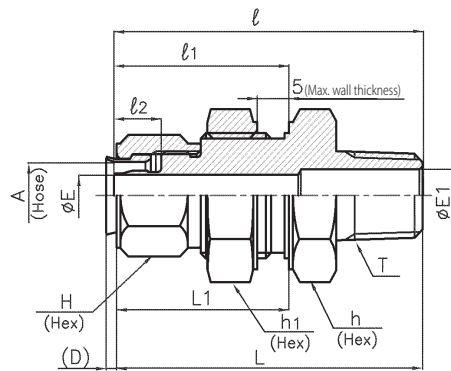
φ E (Hose I·D): Refer to Hose dimension sheet on page 27

Part No.		A (Hose O.D)	T	E1	h (HEX)	H (HEX)	ℓ	ℓ1	L	(D)
ANSI NPT	ISO/JIS R	mm	NPT/R	mm	mm	mm	mm	mm	mm	mm
EPCT 4.76X□-2 ss	EPCT 4.76X□-R2 ss	4.76	1/8	4.8	12	12	27.5	6.0	26.5	1.5
EPCT 4.76X□-4 ss	EPCT 4.76X□-R4 ss	4.76	1/4	7.1	14	12	31.5	6.0	30.5	1.5
EPCT 6.35X□-2 ss	EPCT 6.35X□-R2 ss	6.35	1/8	4.8	14	14	27.3	6.8	26.5	2.0
EPCT 6.35X□-4 ss	EPCT 6.35X□-R4 ss	6.35	1/4	7.1	14	14	32.3	6.8	31.5	2.0
EPCT 6.35X□-6 ss		6.35	3/8	9.0	19	14	33.0	6.8	32.2	2.0
	EPCT 6.35X□-R6 ss	6.35	3/8	9.0	19	14	34.0	6.8	33.2	2.0
EPCT 9.53X□-2 ss	EPCT 9.53X□-R2 ss	9.53	1/8	4.8	17	17	30.0	8.0	29.5	2.0
EPCT 9.53X□-4 ss	EPCT 9.53X□-R4 ss	9.53	1/4	7.1	17	17	34.0	8.0	33.5	2.0
EPCT 9.53X□-6 ss		9.53	3/8	9.0	19	17	35.0	8.0	34.5	2.0
	EPCT 9.53X□-R6 ss	9.53	3/8	9.0	19	17	36.0	8.0	35.5	2.0
EPCT 9.53X□-8 ss	EPCT 9.53X□-R8 ss	9.53	1/2	12.7	22	17	40.0	8.0	39.5	2.0
EPCT 12.7X□-4 ss	EPCT 12.7X□-R4 ss	12.7	1/4	7.1	22	22	38.0	9.0	37.5	2.0
EPCT 12.7X□-6 ss	EPCT 12.7X□-R6 ss	12.7	3/8	9.0	22	22	39.0	9.0	38.5	2.0
EPCT 12.7X□-8 ss	EPCT 12.7X□-R8 ss	12.7	1/2	12.7	22	22	42.7	9.0	42.2	2.0
EPCT 12.7X□-12 ss		12.7	3/4	18.3	27	22	44.5	9.0	44.0	2.0
	EPCT 12.7X□-R12 ss	12.7	3/4	18.3	27	22	44.5	9.0	50.0	2.0
EPCT 19.05X□-6 ss		19.05	3/8	9.0	27	27	45.0	11.0	43.0	2.0
	EPCT 19.05X□-R6 ss	19.05	3/8	9.0	27	27	46.0	11.0	44.0	2.0
EPCT 19.05X□-8 ss	EPCT 19.05X□-R8 ss	19.05	1/2	12.7	27	27	50.0	11.0	48.0	2.0
EPCT 19.05X□-12 ss	EPCT 19.05X□-R12 ss	19.05	3/4	18.3	27	27	52.0	11.0	50.0	2.0
	EPCT 19.05X□-R16 ss	19.05	1	22.5	36	27	56.5	11.0	54.5	2.0

EP-fit

EPSC

Bulkhead Male Connector ISO/JIS R



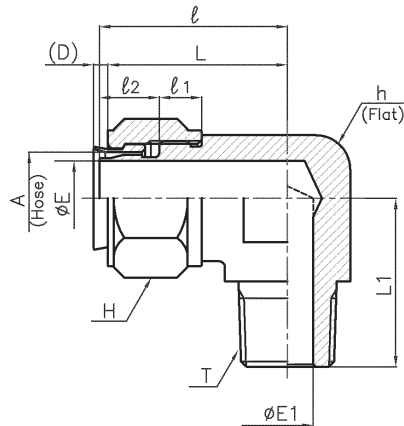
$\phi E$  (Hose I.D.): Refer to Hose dimension sheet on page 27

Part No.	A (Hose O.D)	T	E1	h (HEX)	h1 (HEX)	H (HEX)	$\varrho$	$\varrho 1$	$\varrho 2$	L	L1	(D)	Panel hole diameter
ISO/JIS R	mm	R	mm	mm	mm	mm	mm	mm	mm	mm	mm	mm	mm
EPSC 6.35X□-R2 ss	6.35	1/8	4.8	22	22	14	46.0	26.5	6.8	45.2	25.7	2.0	16.3
EPSC 6.35X□-R4 ss	6.35	1/4	7.1	22	22	14	49.0	26.5	6.8	48.2	25.7	2.0	16.3
EPSC 6.35X□-R6 ss	6.35	3/8	10.4	22	22	14	50.0	26.5	6.8	49.2	25.7	2.0	16.3
EPSC 6.35X□-R8 ss	6.35	1/2	12.0	22	22	14	53.5	26.5	6.8	52.7	25.7	2.0	16.3
EPSC 9.53X□-R4 ss	9.53	1/4	7.1	24	24	17	51.0	28.5	8.0	50.5	28.0	2.0	19.4
EPSC 9.53X□-R6 ss	9.53	3/8	10.4	24	24	17	52.0	28.5	8.0	51.5	28.0	2.0	19.4
EPSC 9.53X□-R8 ss	9.53	1/2	12.0	24	24	17	56.0	28.5	8.0	55.5	28.0	2.0	19.4
EPSC 12.7X□-R8 ss	12.7	1/2	12.0	27	27	22	59.5	32.0	9.0	59.0	31.5	2.0	22.6
EPSC 19.05X□-R8 ss	19.05	1/2	12.0	32	32	27	65.5	37.0	11.0	63.5	35.0	2.0	27.0
EPSC 19.05X□-R12 ss	19.05	3/4	16.5	32	32	27	68.5	37.0	11.0	66.5	35.0	2.0	27.0

EP-fit

EPLN

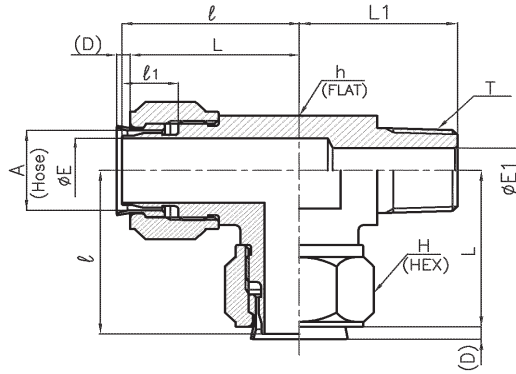
Male Elbow ANSI NPT ISO/JIS R



$\phi E$  (Hose I.D): Refer to Hose dimension sheet on page 27

Part No.		A (Hose O.D)	T	E1	h (FLAT)	H (HEX)	$\ell$	$\ell_1$	L	L1	(D)
ANSI NPT	ISO/JIS R	mm	NPT/R	mm	mm	mm	mm	mm	mm	mm	mm
EPLN 4.76X□-2 ss	EPLN 4.76X□-R2 ss	4.76	1/8	4.0	12	12	21.0	6.0	20.0	19.0	1.5
EPLN 4.76X□-4 ss	EPLN 4.76X□-R4 ss	4.76	1/4	7.0	14	12	22.0	6.0	21.0	24.0	1.5
EPLN 6.35X□-2 ss	EPLN 6.35X□-R2 ss	6.35	1/8	4.0	14	14	22.0	6.8	21.2	20.0	2.0
EPLN 6.35X□-4 ss	EPLN 6.35X□-R4 ss	6.35	1/4	7.0	14	14	22.0	6.8	21.2	24.0	2.0
EPLN 6.35X□-6 ss	EPLN 6.35X□-R6 ss	6.35	3/8	9.0	17	14	25.0	6.8	24.2	28.0	2.0
EPLN 6.35X□-8 ss	EPLN 6.35X□-R8 ss	6.35	1/2	12.0	22	14	30.0	6.8	29.2	33.0	2.0
EPLN 9.53X□-4 ss	EPLN 9.53X□-R4 ss	9.53	1/4	7.0	17	17	25.0	8.0	24.5	28.0	2.0
EPLN 9.53X□-6 ss	EPLN 9.53X□-R6 ss	9.53	3/8	9.0	17	17	25.0	8.0	24.5	28.0	2.0
EPLN 9.53X□-8 ss	EPLN 9.53X□-R8 ss	9.53	1/2	12.0	22	17	30.0	8.0	29.5	33.0	2.0
EPLN 12.7X□-4 ss	EPLN 12.7X□-R4 ss	12.7	1/4	7.0	22	22	30.5	9.0	30.0	30.0	2.0
EPLN 12.7X□-6 ss	EPLN 12.7X□-R6 ss	12.7	3/8	9.0	22	22	30.5	9.0	30.0	30.0	2.0
EPLN 12.7X□-8 ss	EPLN 12.7X□-R8 ss	12.7	1/2	12.0	22	22	30.5	9.0	30.0	33.0	2.0
EPLN 19.05X□-8 ss	EPLN 19.05X□-R6 ss	19.05	3/8	9.0	27	27	39.0	11.0	37.0	31.5	2.0
EPLN 19.05X□-12 ss	EPLN 19.05X□-R8 ss	19.05	1/2	12.0	27	27	39.0	11.0	37.0	36.5	2.0
	EPLN 19.05X□-R12 ss	19.05	3/4	16.0	27	27	39.0	11.0	37.0	38.5	2.0

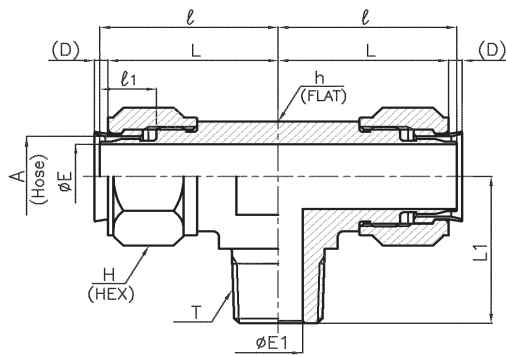
EP-fit	EPTK	Male Run Tee ISO/JIS R
--------	------	------------------------



φ E (Hose I·D): Refer to Hose dimension sheet on page 27

Part No.	A (Hose O.D)	T	E1	h (Flat)	H (HEX)	ℓ	ℓ1	L	L1	(D)
ISO/JIS R	mm	NPT/R	mm	mm	mm	mm	mm	mm	mm	mm
EPTK 6.35X□-R2 ss	6.35	1/8	4.0	14	14	22.5	6.8	21.7	19.0	2.0
EPTK 6.35X□-R4 ss	6.35	1/4	7.0	14	14	22.5	6.8	21.7	24.0	2.0
EPTK 6.35X□-R6 ss	6.35	3/8	9.0	17	14	24.5	6.8	23.7	28.0	2.0
EPTK 9.53X□-R4 ss	9.53	1/4	7.0	17	17	25.0	8.0	24.5	28.0	2.0
EPTK 9.53X□-R6 ss	9.53	3/8	9.0	17	17	25.0	8.0	24.5	28.0	2.0
EPTK 12.7X□-R6 ss	12.7	3/8	9.0	22	22	30.5	9.0	30.0	30.0	2.0
EPTK 12.7X□-R8 ss	12.7	1/2	12.0	22	22	30.5	9.0	30.0	33.0	2.0
EPTK 19.05X□-R12 ss	19.05	3/4	16.0	27	27	39.0	11.0	37.0	38.5	2.0

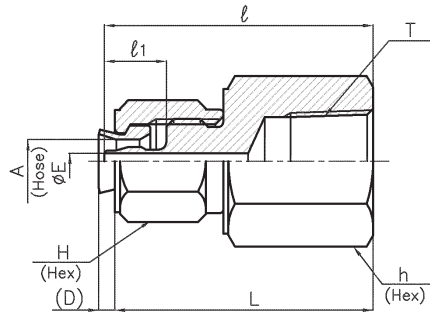
EP-fit	EPTN	Male Branch Tee ISO/JIS R
--------	------	---------------------------



φ E (Hose I·D): Refer to Hose dimension sheet on page 27

Part No.	A (Hose O.D)	T	E1	h (Flat)	H (HEX)	ℓ	ℓ1	L	L1	(D)
ISO/JIS R	mm	NPT/R	mm	mm	mm	mm	mm	mm	mm	mm
EPTN 6.35X□-R2 ss	6.35	1/8	4.0	14	14	22.5	6.8	21.7	19.0	2.0
EPTN 6.35X□-R4 ss	6.35	1/4	7.0	14	14	22.5	6.8	21.7	24.0	2.0
EPTN 6.35X□-R6 ss	6.35	3/8	9.0	17	14	24.5	6.8	23.7	28.0	2.0
EPTN 9.53X□-R4 ss	9.53	1/4	7.0	17	17	25.0	8.0	24.5	28.0	2.0
EPTN 9.53X□-R6 ss	9.53	3/8	9.0	17	17	25.0	8.0	24.5	28.0	2.0
EPTN 12.7X□-R4 ss	12.7	1/4	7.0	22	22	30.5	9.0	30.0	28.0	2.0
EPTN 12.7X□-R6 ss	12.7	3/8	9.0	22	22	30.5	9.0	30.0	30.0	2.0
EPTN 12.7X□-R8 ss	12.7	1/2	12.0	22	22	30.5	9.0	30.0	33.0	2.0
EPTN 19.05X□-R12 ss	19.05	3/4	16.0	27	27	39.0	11.0	37.0	38.5	2.0

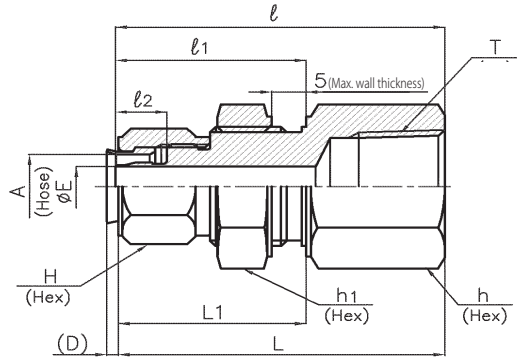




$\phi E$  (Hose I·D): Refer to Hose dimension sheet on page 27

Part No.	A (Hose O.D)	T	h (HEX)	H (HEX)	$l$	$l_1$	L	(D)
ISO/JIS Rc	mm	Rc	mm	mm	mm	mm	mm	mm
EPSA 6.35X□-R2 ss	6.35	1/8	14	14	26.0	6.8	25.2	2.0
EPSA 6.35X□-R4 ss	6.35	1/4	19	14	30.5	6.8	29.2	2.0
EPSA 6.35X□-R6 ss	6.35	3/8	22	14	33.3	6.8	32.5	2.0
EPSA 6.35X□-R8 ss	6.35	1/2	27	14	37.8	6.8	37.0	2.0
EPSA 9.53X□-R2 ss	9.53	1/8	17	17	27.5	8.0	27.0	2.0
EPSA 9.53X□-R4 ss	9.53	1/4	19	17	32.3	8.0	31.8	2.0
EPSA 9.53X□-R6 ss	9.53	3/8	22	17	35.0	8.0	34.5	2.0
EPSA 9.53X□-R8 ss	9.53	1/2	27	17	38.6	8.0	38.1	2.0
EPSA 12.7X□-R4 ss	12.7	1/4	22	22	36.5	9.0	36.0	2.0
EPSA 12.7X□-R6 ss	12.7	3/8	22	22	37.5	9.0	37.0	2.0
EPSA 12.7X□-R8 ss	12.7	1/2	27	22	41.2	9.0	40.7	2.0
EPSA 12.7X□-R12 ss	12.7	3/4	32	22	44.7	9.0	44.2	2.0
EPSA 19.05X□-R4 ss	19.05	1/4	27	27	41.4	11.0	39.4	2.0
EPSA 19.05X□-R6 ss	19.05	3/8	27	27	43.6	11.0	41.6	2.0
EPSA 19.05X□-R8 ss	19.05	1/2	27	27	36.2	11.0	44.2	2.0
EPSA 19.05X□-R12 ss	19.05	3/4	32	27	49.7	11.0	47.7	2.0

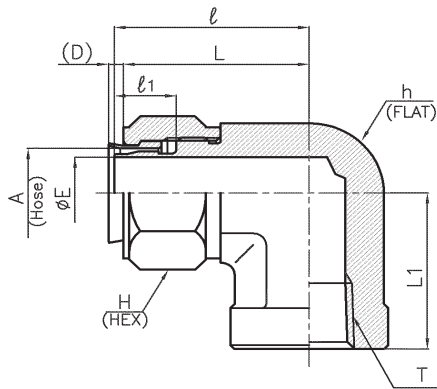
EP-fit	EPSS	<b>Bulkhead Female Connector ISO/JIS Rc</b>
--------	------	---



φ E (Hose I·D): Refer to Hose dimension sheet on page 27

Part No.	A (Hose O.D)	T	h (HEX)	h1 (HEX)	H (HEX)	φ	φ1	φ2	L	L1	(D)	Panel hole diameter
ISO/JIS Rc	mm	Rc	mm	mm	mm	mm	mm	mm	mm	mm	mm	mm
EPSS 6.35X□-R4 ss	6.35	1/4	22	22	14	44.5	26.5	6.8	43.7	25.7	2.0	16.3
EPSS 6.35X□-R6 ss	6.35	3/8	22	22	14	46.5	26.5	6.8	45.7	25.7	2.0	16.3
EPSS 9.53X□-R4 ss	9.53	1/4	24	24	17	47.5	28.5	8.0	47.0	28.0	2.0	19.4
EPSS 9.53X□-R6 ss	9.53	3/8	24	24	17	49.5	28.5	8.0	49.0	28.0	2.0	19.4
EPSS 12.7X□-R4 ss	12.7	1/4	27	27	22	51.5	32.0	9.0	51.0	31.5	2.0	22.6
EPSS 12.7X□-R6 ss	12.7	3/8	27	27	22	53.5	32.0	9.0	53.0	31.5	2.0	22.6
EPSS 12.7X□-R8 ss	12.7	1/2	27	27	22	57.5	32.0	9.0	57.0	31.5	2.0	22.6
EPSS 19.05X□-R4 ss	19.05	1/4	32	32	27	57.0	37.0	11.0	55.0	35.0	2.0	27.0
EPSS 19.05X□-R6 ss	19.05	3/8	32	32	27	59.0	37.0	11.0	57.0	35.0	2.0	27.0
EPSS 19.05X□-R8 ss	19.05	1/2	32	32	27	62.0	37.0	11.0	60.0	35.0	2.0	27.0
EPSS 19.05X□-R12 ss	19.05	3/4	32	32	27	65.0	37.0	11.0	63.0	35.0	2.0	27.0

EP-fit	EPLF	<b>Female Elbow Connector ISO/JIS Rc</b>
--------	------	--



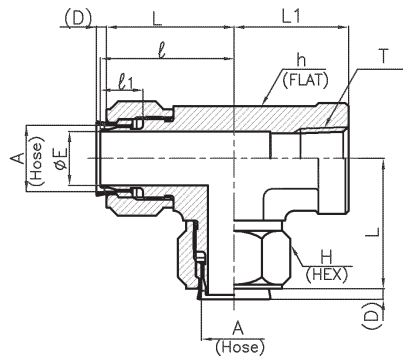
φ E (Hose I·D): Refer to Hose dimension sheet on page 27

Part No.	A (Hose O.D)	T	h (Flat)	H (HEX)	φ	φ1	L	L1	(D)
ISO/JIS Rc	mm	NPT/R	mm	mm	mm	mm	mm	mm	mm
EPLF 6.35X□-R2 ss	6.35	1/8	17	14	24.5	6.8	23.7	19.0	2.0
EPLF 6.35X□-R4 ss	6.35	1/4	22	14	26.5	6.8	25.7	22.5	2.0
EPLF 6.35X□-R6 ss	6.35	3/8	24	14	27.5	6.8	26.7	23.5	2.0
EPLF 6.35X□-R8 ss	6.35	1/2	27	14	29.0	6.8	28.2	28.5	2.0
EPLF 9.53X□-R4 ss	9.53	1/4	22	17	27.5	8.0	27.0	22.5	2.0
EPLF 9.53X□-R6 ss	9.53	3/8	24	17	29.0	8.0	28.5	23.5	2.0
EPLF 9.53X□-R8 ss	9.53	1/2	27	17	30.5	8.0	30.0	28.5	2.0
EPLF 12.7X□-R2 ss	12.7	1/8	22	22	30.0	9.0	29.5	22.5	2.0
EPLF 12.7X□-R4 ss	12.7	1/4	22	22	30.0	9.0	29.5	22.5	2.0
EPLF 12.7X□-R6 ss	12.7	3/8	24	22	32.0	9.0	31.5	23.5	2.0
EPLF 12.7X□-R8 ss	12.7	1/2	27	22	33.5	9.0	33.0	28.5	2.0

EP-fit

EPTF

Female Run Tee ISO/JIS Rc



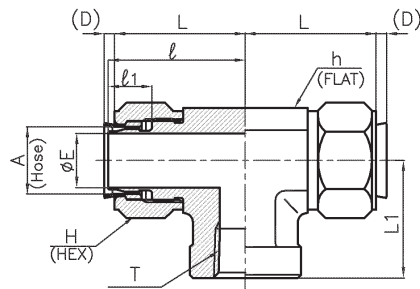
$\phi E$  (Hose I·D): Refer to Hose dimension sheet on page 27

Part No.	A (Hose O.D)	T	h (FLAT)	H (HEX)	$\phi$	$\phi 1$	L	L1	(D)
ISO/JIS Rc	mm	Rc	mm	mm	mm	mm	mm	mm	mm
EPTF 6.35X□-R2 ss	6.35	1/8	17	14	24.5	6.8	23.7	19.0	2.0
EPTF 6.35X□-R4 ss	6.35	1/4	22	14	26.5	6.8	25.7	22.5	2.0
EPTF 6.35X□-R6 ss	6.35	3/8	24	14	27.5	6.8	26.7	23.5	2.0
EPTF 6.35X□-R8 ss	6.35	1/2	27	14	29.5	6.8	28.7	28.5	2.0
EPTF 9.53X□-R4 ss	9.53	1/4	22	17	27.5	8.0	27.0	22.5	2.0
EPTF 9.53X□-R6 ss	9.53	3/8	24	17	29.0	8.0	28.5	23.5	2.0
EPTF 12.7X□-R2 ss	12.7	1/8	22	22	30.0	9.0	29.5	22.5	2.0
EPTF 12.7X□-R4 ss	12.7	1/4	22	22	30.0	9.0	29.5	22.5	2.0
EPTF 12.7X□-R6 ss	12.7	3/8	24	22	32.0	9.0	31.5	23.5	2.0

EP-fit

EPTH

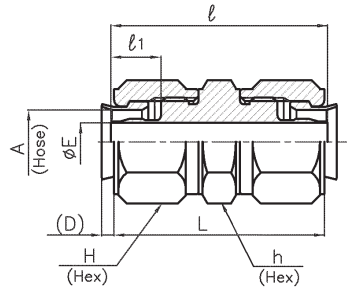
Female Branch Tee ISO/JIS R



$\phi E$  (Hose I·D): Refer to Hose dimension sheet on page 27

Part No.	A (Hose O.D)	T	h (FLAT)	H (HEX)	$\phi$	$\phi 1$	L	L1	(D)
ISO/JIS R	mm	Rc	mm	mm	mm	mm	mm	mm	mm
EPTH 6.35X□-R2 ss	6.35	1/8	17	14	24.5	6.8	23.7	19.0	2.0
EPTH 6.35X□-R4 ss	6.35	1/4	22	14	26.5	6.8	25.7	22.5	2.0
EPTH 6.35X□-R6 ss	6.35	3/8	24	14	27.5	6.8	26.7	23.5	2.0
EPTH 9.53X□-R4 ss	9.53	1/4	22	17	27.5	8.0	27.0	22.5	2.0
EPTH 9.53X□-R6 ss	9.53	3/8	24	17	29.0	8.0	28.5	23.5	2.0
EPTH 12.7X□-R4 ss	12.7	1/4	22	22	30.0	9.0	29.5	22.5	2.0
EPTH 12.7X□-R6 ss	12.7	3/8	24	22	32.0	9.0	31.5	23.5	2.0
EPTH 12.7X□-R8 ss	12.7	1/2	27	22	33.5	9.0	33.0	28.5	2.0

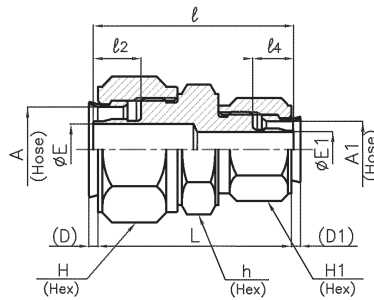
EP-fit	EPUA	Union
--------	------	-------



$\phi E$  (Hose I·D): Refer to Hose dimension sheet on page 27

Part No.	A (Hose O.D)	h (HEX)	H (HEX)	$\varrho$	$\varrho 1$	L	(D)
	mm	mm	mm	mm	mm	mm	mm
EPUA 6.35X□ ss	6.35	14	14	30.0	6.8	28.4	2.0
EPUA 9.53X□ ss	9.53	17	17	35.0	8.0	34.0	2.0
EPUA 12.7X□ ss	12.7	27	22	40.5	9.0	39.0	2.0
EPUA 19.05X□ ss	19.05	27	27	52.5	11.0	50.5	2.0

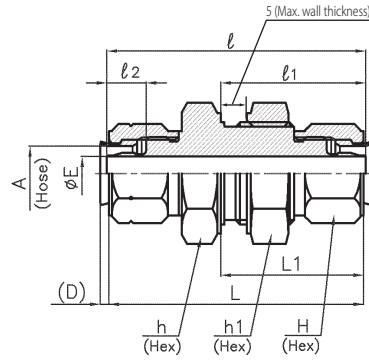
EP-fit	EPUR	Reducing Union
--------	------	----------------



$\phi E$  (Hose I·D): Refer to Hose dimension sheet on page 27

Part No.	A (Hose O.D)	A1 (Hose O.D)	h (HEX)	H (HEX)	H1 (HEX)	$\varrho$	$\varrho 1$	$\varrho 2$	L	(D)	(D1)
	mm	mm	mm	mm	mm	mm	mm	mm	mm	mm	mm
EPUR 6.35X□-6.35X□ ss	6.35	6.35	14	14	14	30.0	6.8	6.8	28.4	2.0	2.0
EPUR 9.53X□-6.35X□ ss	9.53	6.35	17	17	14	33.3	8.0	6.8	32.0	2.0	2.0
EPUR 9.53X□-9.53X□ ss	9.53	9.53	17	17	17	35.0	8.0	8.0	34.0	2.0	2.0
EPUR 12.7 X□-6.35X□ ss	12.7	6.35	22	22	14	36.3	9.0	6.8	35.0	2.0	2.0
EPUR 12.7 X□-9.53X□ ss	12.7	9.53	22	22	17	38.0	9.0	8.0	37.0	2.0	2.0
EPUR 12.7 X□-12.7 X□ ss	12.7	12.7	22	22	22	40.5	9.0	9.0	39.5	2.0	2.0
EPUR 19.05X□-6.35X□ ss	19.05	6.35	27	27	17	43.5	11.0	6.8	40.7	2.0	2.0
EPUR 19.05X□-9.53X□ ss	19.05	9.53	27	27	17	45.0	11.0	8.0	42.5	2.0	2.0
EPUR 19.05X□-12.7 X□ ss	19.05	12.7	27	27	27	47.5	11.0	9.0	45.0	2.0	2.0

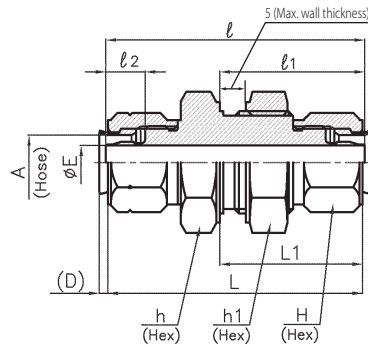
EP-fit	EPSU	Bulkhead Union
--------	------	----------------



φ E (Hose I·D): Refer to Hose dimension sheet on page 27

Part No.	A (Hose O.D)	h (HEX)	h1 (HEX)	H (HEX)	ℓ	ℓ1	ℓ2	L	L1	(D)	Panel hole diameter
	mm	mm	mm	mm	mm	mm	mm	mm	mm	mm	mm
EPSU 6.35X□ ss	6.35	22	22	14	48.0	26.5	6.8	46.4	25.7	2.0	16.3
EPSU 9.53X□ ss	9.53	24	24	17	52.0	28.5	8.0	51.0	28.0	2.0	19.4
EPSU 12.7 X□ ss	12.7	27	27	22	58.5	32.0	9.0	57.5	31.5	2.0	22.6
EPSU 19.05X□ ss	19.05	32	32	27	68.0	37.0	11.0	64.0	35.0	2.0	27.0

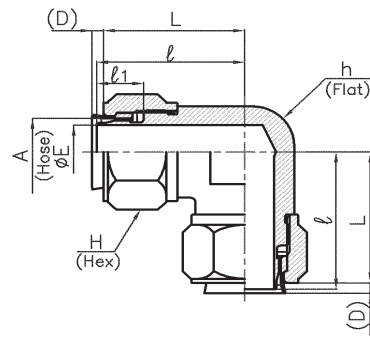
EP-fit	EPSUR	Bulkhead Reducing Union
--------	-------	-------------------------



φ E (Hose I·D): Refer to Hose dimension sheet on page 27

Part No.	A (Hose O.D)	A1 (Hose O.D)	h (HEX)	h1 (HEX)	H (HEX)	H1 (HEX)	ℓ	ℓ1	ℓ2	ℓ3	L	L1	(D)	(D1)	Panel hole diameter
	mm	mm	mm	mm	mm	mm	mm	mm	mm	mm	mm	mm	mm	mm	mm
EPSUR 6.35X□-6.35X□ ss	6.35	6.35	22	22	14	14	48.0	26.5	6.8	6.8	46.4	25.7	2.0	2.0	16.3
EPSUR 6.35X□-9.53X□ ss	6.35	9.53	24	24	14	17	51.0	28.5	6.8	8.0	49.7	28.0	2.0	2.0	19.4
EPSUR 9.53X□-6.35X□ ss	9.53	6.35	24	22	17	14	50.0	26.5	8.0	6.8	48.7	25.7	2.0	2.0	16.3
EPSUR 9.53X□-9.53X□ ss	9.53	9.53	24	24	17	17	52.0	28.5	8.0	8.0	51.0	28.0	2.0	2.0	19.4
EPSUR 9.53X□-12.7 X□ ss	9.53	12.7	27	27	17	22	56.0	32.0	8.0	9.0	55.0	32.0	2.0	2.0	22.6
EPSUR 12.7 X□-9.53X□ ss	12.7	9.53	27	24	22	14	55.0	28.5	9.0	8.0	54.0	28.0	2.0	2.0	19.4
EPSUR 12.7 X□-12.7 X□ ss	12.7	12.7	27	27	22	22	58.5	32.0	9.0	9.0	57.5	31.5	2.0	2.0	22.6
EPSUR 12.7 X□-19.05X□ ss	12.7	19.05	32	32	22	27	63.0	37.0	9.0	11.0	60.5	35.0	2.0	2.0	27.0

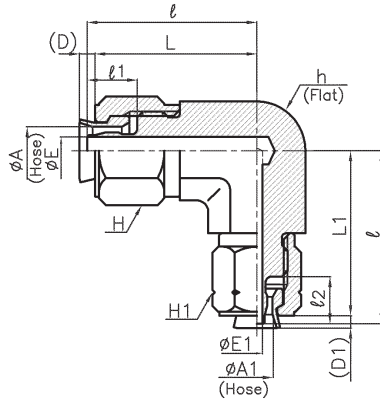
EP-fit	EPLA	Union Elbow
--------	------	-------------



$\phi E$  (Hose I·D): Refer to Hose dimension sheet on page 27

Part No.	A (Hose O.D)	h (FLAT)	H (HEX)	$\varrho$	$\varrho_1$	L	(D)
	mm	mm	mm	mm	mm	mm	mm
EPLA 6.35X□ ss	6.35	14	14	22.0	6.8	21.2	2.0
EPLA 9.53X□ ss	9.53	17	17	24.5	8.0	24.0	2.0
EPLA 12.7X□ ss	12.7	22	22	30.0	9.0	29.5	2.0
EPLA 19.05X□ ss	19.05	27	27	39.0	11.0	37.0	2.0

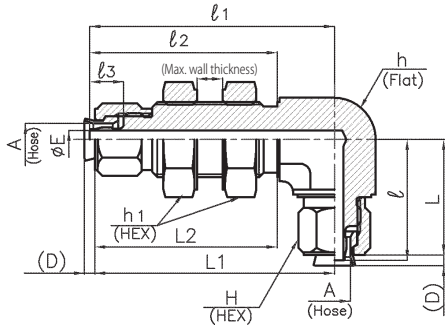
EP-fit	EPLR	Reducing Union Elbow
--------	------	----------------------



$\phi E$  (Hose I·D): Refer to Hose dimension sheet on page 27

Part No.	A (Hose O.D)	A1 (Hose O.D)	h (FLAT)	H (HEX)	H1 (HEX)	$\varrho$	$\varrho_1$	$\varrho_2$	L	L1	(D)	(D1)
	mm	mm	mm	mm	mm	mm	mm	mm	mm	mm	mm	mm
EPLR 6.35X□-6.35X□ ss	6.35	6.35	14	14	14	22.0	6.8	6.8	21.2	21.2	2.0	2.0
EPLR 9.53X□-6.35X□ ss	9.53	6.35	17	17	14	24.5	8.0	6.8	24.0	23.7	2.0	2.0
EPLR 9.53X□-9.53X□ ss	9.53	9.53	17	17	17	24.5	8.0	8.0	24.0	24.0	2.0	2.0
EPLR 12.7X□-6.35X□ ss	12.7	6.35	22	22	14	30.0	9.0	6.8	29.5	29.2	2.0	2.0
EPLR 12.7X□-9.53X□ ss	12.7	9.53	22	22	17	30.0	9.0	8.0	29.5	29.5	2.0	2.0
EPLR 12.7X□-12.7X□ ss	12.7	12.7	22	22	22	30.0	9.0	9.0	29.5	29.5	2.0	2.0

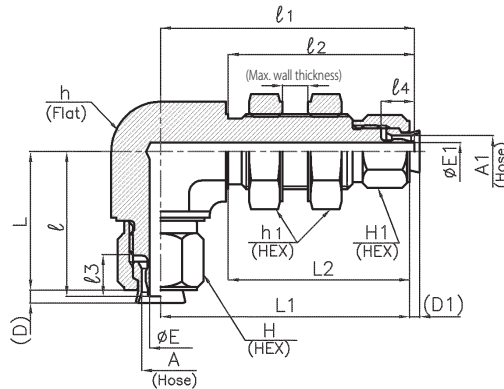
EP-fit	EPSL	Bulkhead Union Elbow
--------	------	----------------------



$\phi E$  (Hose I·D): Refer to Hose dimension sheet on page 27

Part No.	A	h	h1	H	$\ell$	$\ell_1$	$\ell_2$	$\ell_3$	L	L1	L2	(D)	Max. wall thickness	Panel hole diameter
	(Hose O.D)	(FLAT)	(HEX)	(HEX)	mm	mm	mm	mm	mm	mm	mm	mm	mm	mm
EPSL 6.35X□ ss	6.35	20.6	22	14	24.5	56.5	41.5	6.8	23.7	55.7	40.7	2.0	12	16.3
EPSL 9.53X□ ss	9.53	23.8	24	17	27.5	59.0	43.0	8.0	27.0	58.5	42.5	2.0	12	19.4

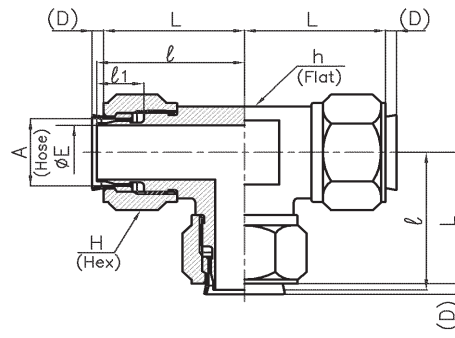
EP-fit	EPSLR	Bulkhead Reducing Union Elbow
--------	-------	-------------------------------



$\phi E$  (Hose I·D): Refer to Hose dimension sheet on page 27

Part No.	A	A1	h	h1	H	H1	$\ell$	$\ell_1$	$\ell_2$	$\ell_3$	$\ell_4$	L	L1	L2	(D)	(D1)	Max. wall thickness	Panel hole diameter
	(Hose O.D)	(Hose O.D)	(FLAT)	(HEX)	(HEX)	(HEX)	mm	mm	mm	mm	mm	mm	mm	mm	mm	mm	mm	mm
EPSLR 6.35X□-9.53X□ ss	6.35	9.53	23.8	24	14	17	27.3	59.0	43.0	6.8	8.0	26.5	58.5	42.5	2.0	2.0	12	16.3
EPSLR 9.53X□-6.35X□ ss	9.53	6.35	23.8	22	17	14	27.5	57.5	41.5	8.0	6.8	27.0	56.7	40.7	2.0	2.0	12	19.4

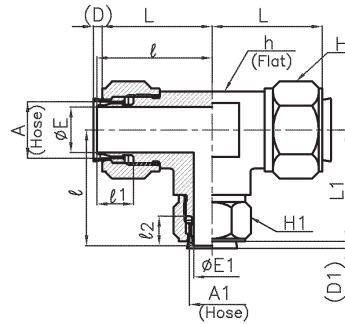
EP-fit	EPTA	Union Tee
--------	------	-----------



$\phi E$  (Hose I·D): Refer to Hose dimension sheet on page 27

Part No.	A	h	H	$\ell$	$\ell_1$	L	(D)
	(Hose O.D)	(HEX)	(HEX)	mm	mm	mm	mm
EPTA 6.35X□ ss	6.35	14	14	22.5	6.8	21.7	2.0
EPTA 9.53X□ ss	9.53	17	17	24.5	8.0	24.0	2.0
EPTA 12.7X□ ss	12.7	22	22	30.0	9.0	29.5	2.0
EPTA 19.05X□ ss	19.05	27	27	39.0	11.0	37.0	2.0

EP-fit	EPTR	Reducing Union Tee
--------	------	--------------------

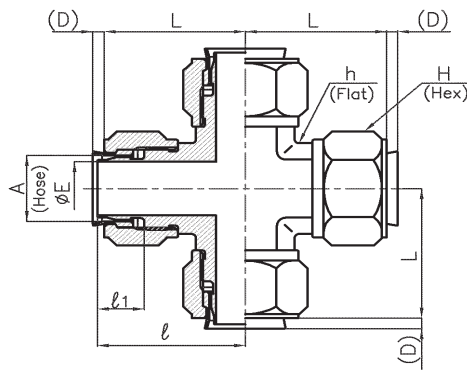


$\phi E$  (Hose I·D): Refer to Hose dimension sheet on page 27

Part No.	A	A1	h	H	H1	$\ell$	$\ell_1$	$\ell_2$	L	L1	(D)	(D1)
	(Hose O.D)	(Hose O.D)	(FLAT)	(HEX)	(HEX)	mm	mm	mm	mm	mm	mm	mm
EPTR 6.35X□-6.35X□ ss	6.35	6.35	14	14	14	22.5	6.8	6.8	21.7	21.7	2.0	2.0
EPTR 6.35X□-9.53X□ ss	6.35	9.53	17	14	17	24.5	6.8	8.0	23.7	24.0	2.0	2.0
EPTR 6.35X□-12.7 X□ ss	6.35	12.7	22	14	22	30.0	6.8	9.0	29.2	29.5	2.0	2.0
EPTR 9.53X□-6.35X□ ss	9.53	6.35	17	17	14	24.5	8.0	6.8	24.0	23.7	2.0	2.0
EPTR 9.53X□-9.53X□ ss	9.53	9.53	17	17	17	24.5	8.0	8.0	24.0	24.0	2.0	2.0
EPTR 9.53X□-12.7 X□ ss	9.53	12.7	22	17	22	30.0	8.0	9.0	29.5	29.5	2.0	2.0
EPTR 12.7 X□-6.35X□ ss	12.7	6.35	22	22	14	30.0	9.0	6.8	29.5	29.2	2.0	2.0
EPTR 12.7 X□-9.53X□ ss	12.7	9.53	22	22	17	30.0	9.0	8.0	29.5	29.5	2.0	2.0
EPTR 12.7 X□-12.7 X□ ss	12.7	12.7	22	22	22	30.0	9.0	9.0	29.5	29.5	2.0	2.0
EPTR 12.7 X□-19.05X□ ss	12.7	19.05	27	22	27	39.0	9.0	11.0	38.5	37.0	2.0	2.0
EPTR 19.05X□-6.35X□ ss	19.05	6.35	27	27	14	39.0	11.0	6.8	37.0	38.2	2.0	2.0
EPTR 19.05X□-9.53X□ ss	19.05	9.53	27	27	17	39.0	11.0	8.0	37.0	38.5	2.0	2.0
EPTR 19.05X□-12.7 X□ ss	19.05	12.7	27	27	22	39.0	11.0	9.0	37.0	38.5	2.0	2.0



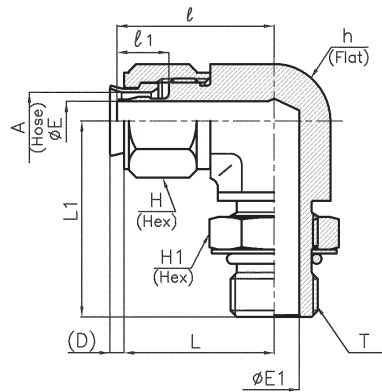
EP-fit	EPXA	Union Cross
--------	------	-------------



φE (Hose I·D): Refer to Hose dimension sheet on page 27

Part No.	A(Hose O.D)	h(HEX)	H(HEX)	ℓ	ℓ1	L	(D)
	mm	mm	mm	mm	mm	mm	mm
EPXA 6.35X□ ss	6.35	14	14	23.0	6.8	22.2	2.0
EPXA 9.53X□ ss	9.53	17	17	24.5	8.0	24.0	2.0

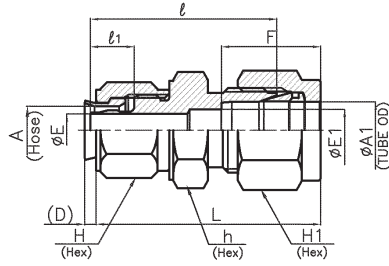
EP-fit	EPLO	Positional Elbow
--------	------	------------------



φE (Hose I·D): Refer to Hose dimension sheet on page 27

Part No.	A	T	E1	h	H	H1	ℓ	ℓ1	ℓ2	L	L1	(D)	O-ring
	(Hose O.D)	G	mm	(FLAT)	(HEX)	(HEX)	mm	mm	mm	mm	mm	mm	JIS B 2401
	mm			mm	mm	mm	mm	mm	mm	mm	mm	mm	4D-P※
EPLO 6.35X□-G2 ss	6.35	1/8	4.0	14.3	14	14	22.5	6.8	8.0	21.7	26.5	2.0	8
EPLO 6.35X□-G4 ss	6.35	1/4	6.4	15.9	14	19	24.0	6.8	9.0	23.2	32.5	2.0	11
EPLO 6.35X□-G6 ss	6.35	3/8	7.9	20.6	14	22	26.5	6.8	11.5	25.9	37.0	2.0	14
EPLO 9.53X□-G2 ss	9.53	1/8	4.0	20.6	17	14	28.0	6.8	8.0	27.5	31.0	2.0	8
EPLO 9.53X□-G4 ss	9.53	1/4	6.4	20.6	17	19	28.0	8.0	9.0	27.5	35.0	2.0	11
EPLO 9.53X□-G6 ss	9.53	3/8	7.9	20.6	17	22	28.0	8.0	11.5	27.5	37.0	2.0	14
EPLO 9.53X□-G8 ss	9.53	1/2	12.0	27.0	17	27	32.0	8.0	15.0	31.5	47.0	2.0	18
EPLO 12.7X□-G4 ss	12.7	1/4	6.4	20.6	22	19	29.0	9.0	9.0	28.5	35.0	2.0	11
EPLO 12.7X□-G6 ss	12.7	3/8	7.9	20.6	22	22	29.0	9.0	11.5	28.5	37.0	2.0	14
EPLO 12.7X□-G8 ss	12.7	1/2	12.0	27.0	22	27	31.0	9.0	15.0	30.5	47.0	2.0	18
EPLO 19.05X□-G12 ss	19.05	3/4	15.8	33.3	27	36	39.0	11.0	15.0	37.0	52.5	2.0	24

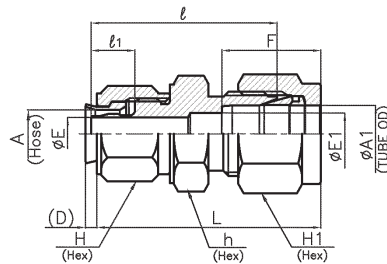
EP-fit	EPUY	Fractional Size BI-Lok to Epfit Union
--------	------	---------------------------------------



φ E (Hose I·D): Refer to Hose dimension sheet on page 27

Part No.	A	A1		E1	h (HEX)	H (HEX)	H1 (HEX)	l	l1	L	(D)	F
	(Hose O.D)	(TUBE O.D)	(TUBE O.D)									
	mm	inch	mm	mm	mm	mm	mm	mm	mm	mm	mm	mm
EPUY 6.35X□-2 ss	6.35	1/8	3.18	2.3	14	14	11.1	26.4	6.8	32.3	2.0	13.0
EPUY 6.35X□-4 ss	6.35	1/4	6.35	4.8	14	14	14.3	28.0	6.8	34.7	2.0	15.4
EPUY 6.35X□-6 ss	6.35	3/8	9.53	7.1	17	14	17.5	29.6	6.8	36.3	2.0	17.0
EPUY 6.35X□-8 ss	6.35	1/2	12.7	10.4	22	14	22.2	31.5	6.8	41.0	2.0	23.0
EPUY 9.53X□-4 ss	9.53	1/4	6.35	4.8	17	17	14.3	31.3	8.0	38.3	2.0	15.4
EPUY 9.53X□-6 ss	9.53	3/8	9.53	7.1	17	17	17.5	32.9	8.0	39.9	2.0	17.0
EPUY 9.53X□-8 ss	9.53	1/2	12.7	10.4	22	17	22.2	33.4	8.0	43.2	2.0	23.0
EPUY 12.7X□-4 ss	12.7	1/4	6.35	4.8	22	22	14.3	33.9	9.0	40.9	2.0	15.4
EPUY 12.7X□-6 ss	12.7	3/8	9.53	7.1	22	22	17.5	35.5	9.0	42.5	2.0	17.0
EPUY 12.7X□-8 ss	12.7	1/2	12.7	10.4	22	22	22.23	36.0	9.0	45.8	2.0	23.0
EPUY 19.05X□-8 ss	19.05	1/2	12.7	10.4	27	27	22.23	42.0	11.0	50.3	2.0	23.0
EPUY 19.05X□-12 ss	19.05	3/4	19.05	15.8	27	27	28.6	43.0	11.0	51.3	2.0	24.6

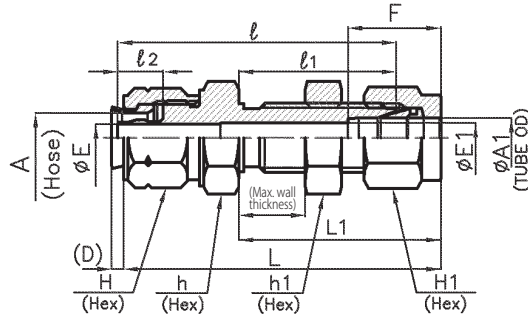
EP-fit	EPUY	Metric Size BI-Lok to Epfit Union
--------	------	-----------------------------------



φ E (Hose I·D): Refer to Hose dimension sheet on page 27

Part No.	A	A1	E1	h (HEX)	H (HEX)	H1 (HEX)	l	l1	L	(D)	F
	(Hose O.D)	(TUBE O.D)									
	mm	mm	mm	mm	mm	mm	mm	mm	mm	mm	mm
EPUY 6.35X□-4M ss	6.35	4	2.7	14	14	13	28.3	6.8	34.3	2.0	13.9
EPUY 6.35X□-6M ss	6.35	6	4.8	14	14	14	28.8	6.8	35.5	2.0	15.4
EPUY 6.35X□-8M ss	6.35	8	6.4	17	14	17	29.6	6.8	36.5	2.0	16.3
EPUY 9.53X□-8M ss	9.53	8	6.4	17	17	17	33.0	8.0	40.0	2.0	16.3
EPUY 9.53X□-10M ss	9.53	10	7.9	19	17	19	33.5	8.0	40.8	2.0	17.3
EPUY 12.7X□-10M ss	12.7	10	7.9	22	22	19	36.5	9.0	43.8	2.0	17.3
EPUY 12.7X□-12M ss	12.7	12	9.5	22	22	22	37.0	9.0	46.7	2.0	22.9
EPUY 19.05X□-12M ss	19.05	12	9.5	27	27	22	43.3	11.0	51.5	2.0	22.9
EPUY 19.05X□-16M ss	19.05	16	12.0	27	27	27	43.8	11.0	52.0	2.0	24.5

EP-fit	EPSUY	Fractional Size BI-Lok to Epsit Bulkhead Union
--------	-------	--

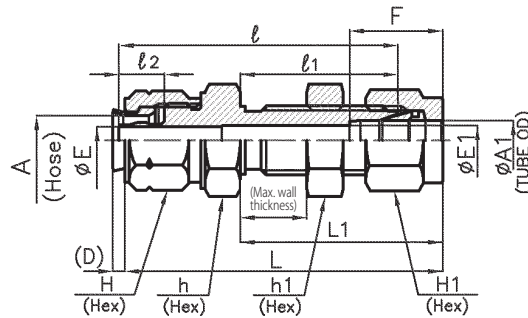


BI-LOK Side dimension				
A1 TUBE	E1	F	Panel hole diameter	Max. wall thickness
1/4	4.8	15.4	11.5	10.2
3/8	7.1	17.0	14.7	11.2
1/2	10.4	23.0	19.4	12.7

φ E (Hose I·D): Refer to Hose dimension sheet on page 27

Part No.	A (Hose O.D)	A1 (TUBE O.D)	h (HEX)	h1 (HEX)	H (HEX)	H1 (HEX)	ℓ	ℓ1	ℓ2	L	L1	(D)			
	mm	in	mm	mm	in	mm	mm	mm	mm	mm	mm	mm			
EPSUY 6.35X□-4 ss	6.35	1/4	6.35	17	5/8	15.88	14	9/16	14.29	45.0	26.0	6.8	51.7	33.5	2.0
EPSUY 6.35X□-6 ss	6.35	3/8	9.53	19	3/4	19.05	14	11/16	17.46	48.5	29.5	6.8	55.2	37.0	2.0
EPSUY 9.53X□-4 ss	9.53	1/4	6.35	17	5/8	15.88	17	9/16	14.29	46.5	26.0	8.0	53.5	33.5	2.0
EPSUY 9.53X□-6 ss	9.53	3/8	9.53	19	3/4	19.05	17	11/16	17.46	50.0	29.5	8.0	57.0	37.0	2.0
EPSUY 12.7X□-6 ss	12.7	3/8	9.53	22	3/4	19.05	22	11/16	17.46	53.0	29.5	9.0	60.0	37.0	2.0
EPSUY 12.7X□-8 ss	12.7	1/2	12.7	24	15/16	23.81	22	7/8	22.23	56.0	32.0	9.0	65.8	42.3	2.0

EP-fit	EPSUY	Metric Size BI-Lok to Epsit Bulkhead Union
--------	-------	--

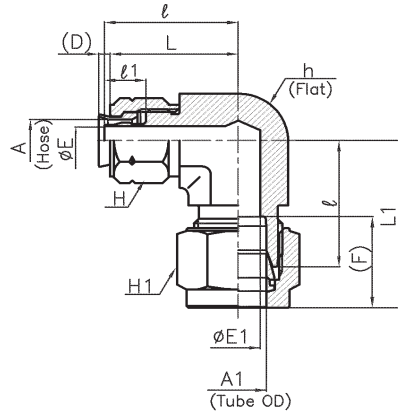


BI-LOK Side dimension				
A1 TUBE	E1	F	Panel hole diameter	Max. wall thickness
4	2.7	13.9	9.9	10.4
6	4.8	15.4	11.5	9.7
8	6.4	16.3	13.1	11.4
10	7.9	17.3	16.3	11.6
12	9.5	22.9	19.4	13.1

φ E (Hose I·D): Refer to Hose dimension sheet on page 27

Part No.	A (Hose O.D)	A1 (TUBE O.D)	h (HEX)	h1 (HEX)	H (HEX)	H1 (HEX)	ℓ	ℓ1	ℓ2	L	L1	(D)
	mm	mm	mm	mm	mm	mm	mm	mm	mm	mm	mm	mm
EPSUY 6.35X□-4M ss	6.35	4	14	14	14	13	47.8	25.5	6.8	53.8	32.3	2.0
EPSUY 6.35X□-6M ss	6.35	6	17	17	14	14	48.3	26.0	6.8	55.0	33.5	2.0
EPSUY 9.53X□-8M ss	9.53	8	19	19	17	17	52.8	28.5	8.0	59.8	36.0	2.0
EPSUY 9.53X□-10M ss	9.53	10	22	22	17	19	53.7	29.5	8.0	61.0	37.3	2.0
EPSUY 12.7X□-10M ss	12.7	10	22	22	22	19	56.7	29.5	9.0	64.0	37.3	2.0
EPSUY 12.7X□-12M ss	12.7	12	24	24	22	22	59.5	32.0	9.0	69.2	42.2	2.0

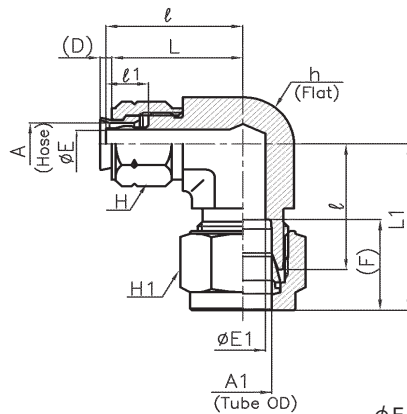
EP-fit	EPLY	Fractional Size BI-Lok to Epfit Elbow
--------	------	---------------------------------------



φ E (Hose I·D): Refer to Hose dimension sheet on page 27

Part No.	A	B		E1	h (Flat)	H (HEX)	H1 (HEX)	ℓ	ℓ1	L	L1	F	(D)
	(Hose O.D)	(Tube O.D)											
	mm	inch	mm	mm	mm	mm	mm	mm	mm	mm	mm	mm	mm
EPLY 6.35X□-2 ss	6.35	1/8	3.18	2.3	14	14	11.11	22.0	6.8	21.2	28.7	13.0	2.0
EPLY 6.35X□-4ss	6.35	1/4	6.35	4.8	14	14	14.29	22.0	6.8	21.2	29.5	15.4	2.0
EPLY 6.35X□-6 ss	6.35	3/8	9.53	7.1	17	14	17.46	24.5	6.8	23.7	32.0	17.0	2.0
EPLY 9.53X□-4 ss	9.53	1/4	6.35	4.8	17	17	14.29	24.5	8.0	24.0	32.0	15.4	2.0
EPLY 9.53X□-6 ss	9.53	3/8	9.53	7.1	17	17	17.46	24.5	8.0	24.0	32.0	17.0	2.0
EPLY 12.7X□-4ss	12.7	1/4	6.35	4.8	22	22	14.29	30.0	9.0	29.5	37.5	15.4	2.0
EPLY 12.7X□-6 ss	12.7	3/8	9.53	7.1	22	22	17.46	30.0	9.0	29.5	37.5	17.0	2.0
EPLY 12.7X□-8 ss	12.7	1/2	12.70	10.4	22	22	22.23	30.0	9.0	29.5	40.3	23.0	2.0
EPLY 19.05X□-8 ss	19.05	1/2	12.70	10.4	27	27	22.23	39.0	11.0	37.0	49.3	23.0	2.0
EPLY 19.05X□-12ss	19.05	3/4	19.05	15.8	27	27	28.58	39.0	11.0	37.0	49.3	24.6	2.0

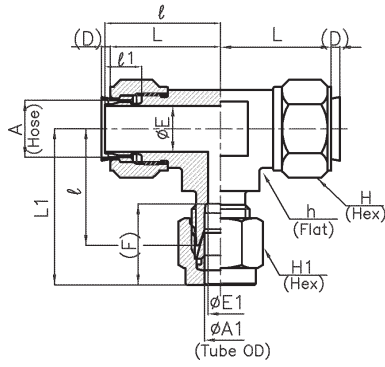
EP-fit	EPLY	Metric Size BI-Lok to Epfit Elbow
--------	------	-----------------------------------



φ E (Hose I·D): Refer to Hose dimension sheet on page 27

Part No.	A	A1	E1	h (Flat)	H (HEX)	H1 (HEX)	ℓ	ℓ1	L	L1	F	(D)
	(Hose O.D)	(Tube O.D)										
	mm	mm	mm	mm	mm	mm	mm	mm	mm	mm	mm	mm
EPLY 6.35X□-4M ss	6.35	4	2.7	14	14	13	22.0	6.8	21.2	28.8	13.9	2.0
EPLY 6.35X□-6M ss	6.35	6	4.8	14	14	14	22.5	6.8	21.7	30.0	15.4	2.0
EPLY 9.53X□-8M ss	9.53	8	6.4	17	17	17	24.5	8.0	24.0	32.0	16.3	2.0
EPLY 9.53X□-10M ss	9.53	10	7.9	17	17	19	24.5	8.0	24.0	32.3	17.3	2.0
EPLY 12.7X□-10M ss	12.7	10	7.9	22	22	19	30.0	9.0	29.5	37.8	17.9	2.0
EPLY 12.7X□-12M ss	12.7	12	9.5	22	22	22	30.0	9.0	29.5	40.2	22.9	2.0
EPLY 19.05X□-12M ss	19.05	12	9.5	27	27	22	39.0	11.0	37.0	49.2	22.9	2.0

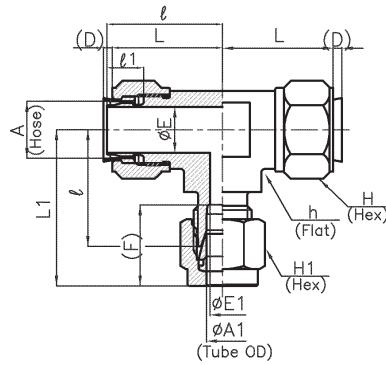
EP-fit	EPTY	Fractional Size BI-Lok to Epfitee Tee
--------	------	---------------------------------------



φ E (Hose I·D): Refer to Hose dimension sheet on page 27

Part No.	A	A1		E1	h	H	H1	ℓ	ℓ1	L	L1	F	(D)
	(Hose O.D)	(TUBE O.D)	(TUBE O.D)										
	mm	in	mm	mm	mm	mm	mm	mm	mm	mm	mm	mm	mm
EPTY 6.35X□-2 ss	6.35	1/8	3.18	2.3	14	14	11.11	22.0	6.8	21.2	28.7	13.0	2.0
EPTY 6.35X□-4 ss	6.35	1/4	6.35	4.8	14	14	14.29	22.0	6.8	21.2	29.5	15.4	2.0
EPTY 6.35X□-6 ss	6.35	3/8	9.53	7.1	17	14	17.46	24.5	6.8	23.7	32.0	17.0	2.0
EPTY 9.53X□-4 ss	9.53	1/4	6.35	4.8	17	17	14.29	24.5	8.0	24.0	32.0	15.4	2.0
EPTY 9.53X□-6 ss	9.53	3/8	9.53	7.1	17	17	17.46	24.5	8.0	24.0	32.0	17.0	2.0
EPTY 12.7X□-4 ss	12.7	1/4	6.35	4.8	22	22	14.29	30.0	9.0	29.5	37.5	15.4	2.0
EPTY 12.7X□-6 ss	12.7	3/8	9.53	7.1	22	22	17.46	30.0	9.0	29.5	37.5	17.0	2.0
EPTY 12.7X□-8 ss	12.7	1/2	12.7	10.4	22	22	22.23	30.0	9.0	29.5	40.3	23.0	2.0
EPTY 19.05X□-8 ss	19.05	1/2	12.7	10.4	27	27	22.23	39.0	11.0	37.0	49.3	23.0	2.0
EPTY 19.05X□-12 ss	19.05	3/4	19.05	15.8	27	27	28.58	39.0	11.0	37.0	49.3	24.6	2.0

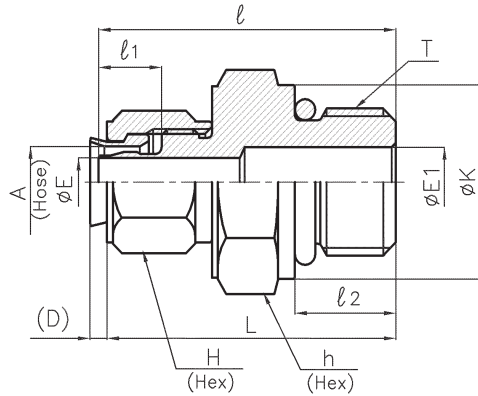
EP-fit	EPTY	Metric Size BI-Lok to Epfitee Tee
--------	------	-----------------------------------



φ E (Hose I·D): Refer to Hose dimension sheet on page 27

Part No.	A	A1	E1	h	H	H1	ℓ	ℓ1	L	L1	F	(D)
	(Hose O.D)	(TUBE O.D)										
	mm	mm	mm	mm	mm	mm	mm	mm	mm	mm	mm	mm
EPTY 6.35X□-6M ss	6.35	6	4.8	14	14	14	22.5	6.8	21.7	30.0	15.4	2.0
EPTY 9.53X□-6M ss	9.53	6	4.8	17	17	14	24.5	8.0	24.0	32.0	15.4	2.0
EPTY 9.53X□-8M ss	9.53	8	6.4	17	17	17	24.5	8.0	24.0	32.0	16.3	2.0
EPTY 12.7X□-10M ss	12.7	10	7.9	22	22	19	30.0	9.0	29.5	37.8	17.3	2.0
EPTY 12.7X□-12M ss	12.7	12	9.5	22	22	22	30.0	9.0	29.5	40.2	22.9	2.0

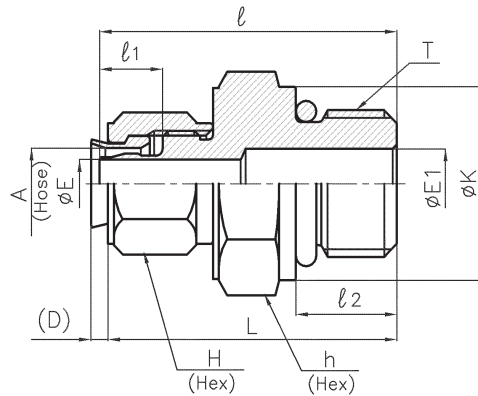
EP-fit	EPCU	UNF Thread O-ring seal Connector
--------	------	----------------------------------



$\phi E$  (Hose I·D): Refer to Hose dimension sheet on page 27

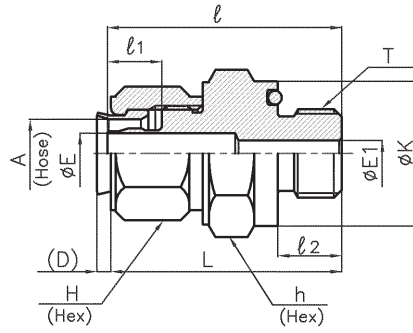
Part No.	A (Hose O.D)	T	E1	h (HEX)	H (HEX)	$\ell$	$\ell_1$	$\ell_2$	L	O-ring AS568	(D)
	mm	UNF	mm	mm	mm	mm	mm	mm	mm		mm
EPCU 12.7X□-8 ss	12.7	3/4-16UNF	10.7	24	22	36.5	9.0	11	36.0	908	2.0

EP-fit	EPCU	G Thread O-ring seal Connector
--------	------	--------------------------------



$\phi E$  (Hose I·D): Refer to Hose dimension sheet on page 27

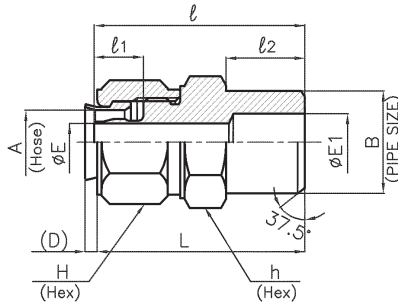
Part No.	A (Hose O.D)	T	E1	h (HEX)	H (HEX)	$\ell$	$\ell_1$	$\ell_2$	K	L	O-ring JIS B 2401	(D)
	mm	G	mm	mm	mm	mm	mm	mm	mm	mm	1B-P※	mm
EPCU 6.35X□-G2 ss	6.35	1/8	4.0	14	14	29.0	6.8	8	14.0	28.2	8	2.0
EPCU 6.35X□-G4 ss	6.35	1/4	6.4	19	14	33.0	6.8	12	19.0	32.2	11	2.0
EPCU 6.35X□-G6 ss	6.35	3/8	7.9	22	14	33.4	6.8	12	22.0	32.6	14	2.0
EPCU 9.53X□-G2 ss	9.53	1/8	4.0	17	17	30.9	8.0	8	14.0	30.4	8	2.0
EPCU 9.53X□-G4 ss	9.53	1/4	6.4	19	17	34.9	8.0	12	19.0	34.4	11	2.0
EPCU 9.53X□-G6 ss	9.53	3/8	7.9	22	17	35.9	8.0	12	22.0	35.4	14	2.0
EPCU 9.53X□-G8 ss	9.53	1/2	12.0	27	17	41.1	8.0	14	26.9	40.6	18	2.0
EPCU 12.7X□-G2 ss	12.7	1/8	4.0	22	22	33.9	9.0	8	14.0	33.4	8	2.0
EPCU 12.7X□-G4 ss	12.7	1/4	6.4	22	22	37.9	9.0	12	19.0	37.4	11	2.0
EPCU 12.7X□-G6 ss	12.7	3/8	7.9	22	22	38.1	9.0	12	22.0	37.6	14	2.0
EPCU 12.7X□-G8 ss	12.7	1/2	12.0	27	22	43.9	9.0	14	26.9	43.4	18	2.0
EPCU 12.7X□-G12 ss	12.7	3/4	15.8	32	22	47.6	9.0	16	31.5	47.1	24	2.0
EPCU 19.05X□-G4 ss	19.05	1/4	6.4	27	27	44.4	11.0	12	19.0	42.4	11	2.0
EPCU 19.05X□-G6 ss	19.05	3/8	7.9	27	27	46.4	11.0	12	22.0	44.4	14	2.0
EPCU 19.05X□-G8 ss	19.05	1/2	12.0	27	27	49.6	11.0	14	26.9	47.6	18	2.0
EPCU 19.05X□-G12 ss	19.05	3/4	15.8	32	27	53.3	11.0	16	31.5	51.3	24	2.0



$\phi E$  (Hose I·D): Refer to Hose dimension sheet on page 27

Part No.	A (Hose O.D)	T	E1	h (HEX)	H (HEX)	L	$\phi$	$\phi 1$	$\phi 2$	K	O-ring JIS B 2401	(D)
	mm	G	mm	mm	mm	mm	mm	mm	mm	mm	4D-P※	mm
EPCO 6.35X□-G2 ss	6.35	1/8	4.1	19	14	30.2	31.0	6.8	8	18.5	11	2.0
EPCO 6.35X□-G4 ss	6.35	1/4	6.4	24	14	34.0	34.8	6.8	12	23.5	15	2.0
EPCO 6.35X□-G6 ss	6.35	3/8	7.9	27	14	35.2	36.0	6.8	12	26.5	18	2.0
EPCO 9.53X□-G4 ss	9.53	1/4	6.4	24	17	36.6	37.1	8.0	12	23.5	15	2.0
EPCO 9.53X□-G6 ss	9.53	3/8	7.9	27	17	37.6	38.1	8.0	12	26.5	18	2.0
EPCO 9.53X□-G8 ss	9.53	1/2	12.0	32	17	42.6	43.1	8.0	14	31.5	22	2.0
EPCO 12.7X□-G4 ss	12.7	1/4	6.4	24	22	39.4	39.9	9.0	12	23.5	15	2.0
EPCO 12.7X□-G6 ss	12.7	3/8	7.9	27	22	40.4	40.9	9.0	12	26.5	18	2.0
EPCO 12.7X□-G8 ss	12.7	1/2	12.0	32	22	45.4	45.9	9.0	14	31.5	22	2.0
EPCO 12.7X□-G12 ss	12.7	3/4	16.0	41	22	48.4	48.9	9.0	18	40.5	28	2.0
EPCO 19.05X□-G12 ss	19.05	3/4	16.0	41	27	53.5	53.9	11.0	18	40.5	28	2.0

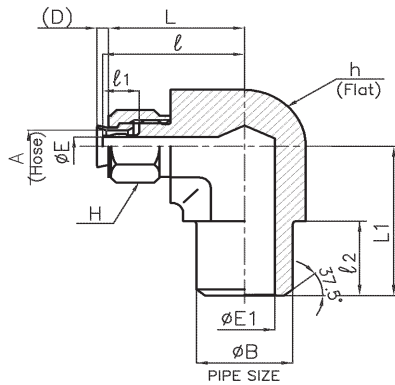
EP-fit	EPCB	Male Pipe Weld Connector
--------	------	--------------------------



φ E (Hose I·D): Refer to Hose dimension sheet on page 27

Part No.	A (Hose O.D)	B (PIPE SIZE)		E1	h (HEX)	H (HEX)	ℓ	ℓ1	ℓ2	L	(D)
	mm	in	mm	mm	mm	mm	mm	mm	mm	mm	mm
EPCB 6.35X□-2 ss	6.35	1/8	10.3	5.5	14	14	27.8	6.8	9.7	27.0	2.0
EPCB 6.35X□-4 ss	6.35	1/4	13.7	7.7	14	14	32.3	6.8	14.2	31.5	2.0
EPCB 6.35X□-6 ss	6.35	3/8	17.0	10.4	19	14	33.3	6.8	14.2	32.5	2.0
EPCB 6.35X□-8 ss	6.35	1/2	21.3	13.9	22	14	38.8	6.8	19.1	38.0	2.0
EPCB 9.53X□-4 ss	9.53	1/4	13.7	7.7	17	17	34.5	8.0	14.2	34.0	2.0
EPCB 9.53X□-6 ss	9.53	3/8	17.0	10.4	19	17	35.0	8.0	14.2	34.5	2.0
EPCB 9.53X□-8 ss	9.53	1/2	21.3	13.9	22	17	40.2	8.0	19.1	35.7	2.0
EPCB 9.53X□-12 ss	9.53	3/4	26.5	18.8	27	17	42.7	8.0	19.1	42.2	2.0
EPCB 12.7X□-4 ss	12.7	1/4	13.7	7.7	22	22	37.5	9.0	14.2	37.0	2.0
EPCB 12.7X□-6 ss	12.7	3/8	17.0	10.4	22	22	38.0	9.0	14.2	37.5	2.0
EPCB 12.7X□-8 ss	12.7	1/2	21.3	13.9	22	22	42.7	9.0	19.1	42.2	2.0
EPCB 12.7X□-12 ss	12.7	3/4	26.5	18.8	27	22	45.2	9.0	19.1	44.7	2.0
EPCB 19.05X□-6 ss	19.05	3/8	17.0	10.4	27	27	45.0	11.0	14.2	43.0	2.0
EPCB 19.05X□-8 ss	19.05	1/2	21.3	13.9	27	27	50.0	11.0	19.1	48.0	2.0
EPCB 19.05X□-12 ss	19.05	3/4	26.5	18.8	27	27	50.5	11.0	19.1	48.5	2.0

EP-fit	EPLB	Male Pipe Weld Elbow
--------	------	----------------------



φ E (Hose I·D): Refer to Hose dimension sheet on page 27

Part No.	A (Hose O.D)	B (Pipe Size)		E1	h (Flat)	H (HEX)	ℓ	ℓ1	ℓ2	L	L1	(D)
	mm	inch	mm	mm	mm	mm	mm	mm	mm	mm	mm	mm
EPLB 6.35X□-4ss	6.35	1/4 B	13.7	7.7	17	14	24.0	6.8	12.0	23.2	24.0	2.0
EPLB 6.35X□-6 ss	6.35	3/8 B	17.0	10.7	22	14	31.0	6.8	14.2	30.2	28.5	2.0
EPLB 9.53X□-4 ss	9.53	1/4 B	13.7	7.7	17	17	24.5	8.0	12.0	24.0	24.0	2.0
EPLB 9.53X□-6 ss	9.53	3/8 B	17.0	10.7	22	17	30.5	8.0	14.2	30.0	28.5	2.0
EPLB 12.7X□-4ss	12.7	1/4 B	13.7	7.7	22	22	30.5	9.0	12.0	30.0	27.0	2.0
EPLB 12.7X□-6 ss	12.7	3/8 B	17.0	10.7	22	22	30.5	9.0	14.2	30.0	28.5	2.0

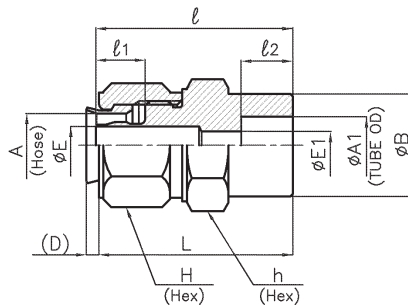


EP-fit	EPCW	Metric Size for O.D. Pipes Tube Socket Weld Connector
--------	------	---

□=Refer to Hose dimension sheet on page 27

Part No.	A (Hose O.D)	A1 (TUBE O.D)	B	E1	h (HEX)	H (HEX)	ℓ	ℓ1	ℓ2	L	(D)
	mm	mm	mm	mm	mm	mm	mm	mm	mm	mm	mm
EPCW 12.7X□-6M ss	12.7	6	12	4.8	22	22	33.5	9.0	8.0	33.0	2.0
EPCW 12.7X□-8M ss	12.7	8	15	6.4	22	22	34.5	9.0	9.0	34.0	2.0
EPCW 12.7X□-12M ss	12.7	10	17	7.9	22	22	35.5	9.0	10.0	35.0	2.0

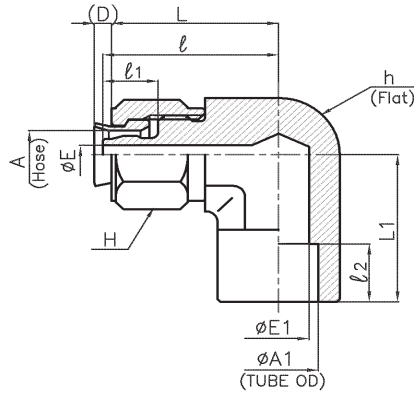
EP-fit	EPCW	Fractional Size for O.D. Pipes Tube Socket Weld Connector
--------	------	---



φE (Hose I·D): Refer to Hose dimension sheet on page 27

Part No.	A (Hose O.D)	A1 (TUBE O.D)		B	E1	h (HEX)	H (HEX)	ℓ	ℓ1	ℓ2	L	(D)
	mm	INCH	MM	mm	mm	mm	mm	mm	mm	mm	mm	mm
EPCW 6.35X□-2 ss	6.35	1/8	3.18	7.9	2.3	14	14	26.3	6.8	6.4	25.5	2.0
EPCW 6.35X□-4 ss	6.35	1/4	6.35	11.2	4.8	14	14	28.3	6.8	7.9	27.5	2.0
EPCW 6.35X□-6 ss	6.35	3/8	9.53	15.4	7.1	17	14	30.5	6.8	9.7	29.7	2.0
EPCW 9.53X□-6 ss	9.53	3/8	9.53	15.4	7.1	17	17	32.3	8.0	9.7	31.8	2.0
EPCW 9.53X□-8 ss	9.53	1/2	12.7	19.1	10.4	22	17	33.0	8.0	12.7	32.5	2.0
EPCW 12.7X□-8 ss	12.7	1/2	12.7	19.1	10.4	22	22	35.5	9.0	12.7	31.0	2.0
EPCW 12.7X□-12 ss	12.7	3/4	19.05	26.7	15.8	27	22	37.9	9.0	14.2	37.4	2.0
EPCW 19.05X□-12 ss	19.05	3/4	19.05	26.7	15.8	27	27	42.9	11.0	14.2	40.9	2.0

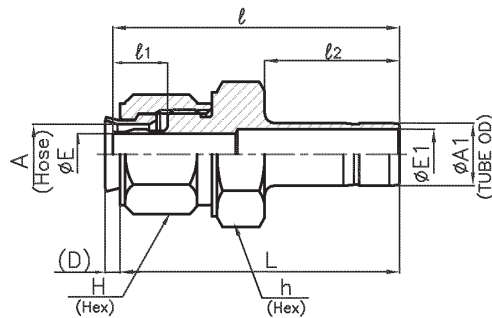
EP-fit	EPLW	Fractional Size for O.D. Pipes Tube Socket Weld Elbow
--------	------	---



φ E (Hose I·D): Refer to Hose dimension sheet on page 27

Part No.	A (Hose O.D)	A1 (Tube O.D)		E1	h (HEX)	H (HEX)	ℓ	ℓ1	ℓ2	L	L1	(D)
	mm	inch	mm	mm	mm	mm	mm	mm	mm	mm	mm	mm
EPLW 6.35X□-4 ss	6.35	1/4	6.35	4.8	14	14	23.0	6.8	7.9	22.2	23.0	2.0
EPLW 9.53X□-6 ss	9.53	3/8	9.53	7.1	17	17	24.0	8.0	9.7	23.5	24.0	2.0
EPLW 12.7X□-8 ss	12.7	1/2	12.7	10.4	22	22	30.0	9.0	12.7	29.5	30.0	2.0

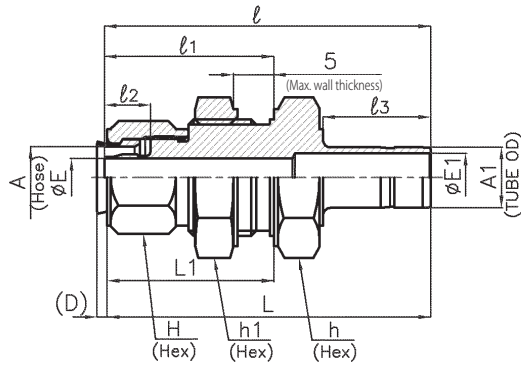
EP-fit	EPRE	Fractional Size Reducer for BI-Lok
--------	------	------------------------------------



φ E (Hose I·D): Refer to Hose dimension sheet on page 27

Part No.	A (Hose O.D)	A1 (TUBE O.D)		E1	h (HEX)	H (HEX)	ℓ	ℓ1	ℓ2	L	(D)
	mm	inch	mm	mm	mm	mm	mm	mm	mm	mm	mm
EPRE 6.35X□-4 ss	6.35	1/4	6.35	4.8	14	14	33.8	6.8	16.5	33.0	2.0
EPRE 6.35X□-6 ss	6.35	3/8	9.53	7.1	14	14	35.3	6.8	18.0	34.5	2.0
EPRE 6.35X□-8 ss	6.35	1/2	12.7	9.9	17	14	41.0	6.8	23.5	40.2	2.0
EPRE 6.35X□-12 ss	6.35	3/4	19.05	15.0	24	14	45.0	6.8	25.2	44.2	2.0
EPRE 9.53X□-4 ss	9.53	1/4	6.35	4.8	17	17	36.0	8.0	16.5	35.5	2.0
EPRE 9.53X□-6 ss	9.53	3/8	9.53	7.1	17	17	37.5	8.0	18.0	37.0	2.0
EPRE 9.53X□-8 ss	9.53	1/2	12.7	9.9	17	17	43.0	8.0	23.5	42.5	2.0
EPRE 9.53X□-12 ss	9.53	3/4	19.05	15.0	24	17	45.0	8.0	25.2	44.5	2.0
EPRE 12.7X□-4 ss	12.7	1/4	6.35	4.8	22	22	40.0	9.0	16.5	39.5	2.0
EPRE 12.7X□-6 ss	12.7	3/8	9.53	7.1	22	22	41.5	9.0	18.0	41.0	2.0
EPRE 12.7X□-8 ss	12.7	1/2	12.7	9.9	22	22	47.0	9.0	23.5	46.5	2.0
EPRE 12.7X□-12 ss	12.7	3/4	19.05	15.0	24	22	48.3	9.0	25.2	47.8	2.0
EPRE 19.05X□-4 ss	19.05	1/4	6.35	4.8	27	27	47.5	11.0	16.5	45.5	2.0
EPRE 19.05X□-6 ss	19.05	3/8	9.53	7.1	27	27	49.0	11.0	18.0	47.0	2.0
EPRE 19.05X□-8 ss	19.05	1/2	12.7	9.9	27	27	55.0	11.0	23.5	53.0	2.0
EPRE 19.05X□-12 ss	19.05	3/4	19.05	15.0	27	27	55.6	11.0	25.2	53.6	2.0

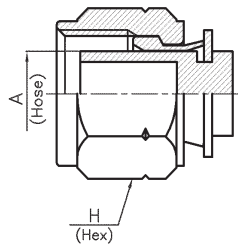
EP-fit	EPSE	Fractional Size Bulkhead Reducer for BI-Lok
--------	------	---



$\phi E$  (Hose I·D): Refer to Hose dimension sheet on page 27

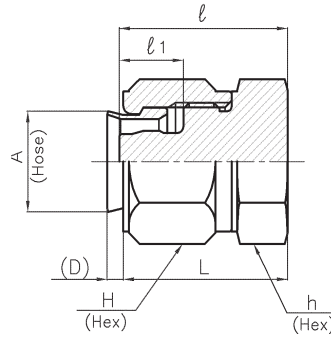
Part No.	A (Hose O.D)	A1 (TUBE O.D)		E	h (HEX)	h1 (HEX)	H (HEX)	$\varrho$	$\varrho 1$	$\varrho 2$	$\varrho 3$	L	L1	(D)	Panel hole diameter
	mm	inch	mm	mm	mm	mm	mm	mm	mm	mm	mm	mm	mm	mm	mm
EPSE 6.35X□-4 ss	6.35	1/4	6.35	4.8	22	22	14	52.0	26.5	6.8	16.5	51.2	25.7	2.0	16.3
EPSE 6.35X□-6 ss	6.35	3/8	9.53	7.1	22	22	14	53.7	26.5	6.8	18.0	52.7	25.7	2.0	16.3
EPSE 9.53X□-4 ss	9.53	1/4	6.35	4.8	24	24	17	54.5	28.5	8.0	16.5	54.0	28.0	2.0	19.4
EPSE 9.53X□-6 ss	9.53	3/8	9.53	7.1	24	24	17	56.0	28.5	8.0	18.0	55.5	28.0	2.0	19.4
EPSE 9.53X□-8 ss	9.53	1/2	12.7	9.9	24	24	17	61.5	28.5	8.0	23.5	61.0	28.0	2.0	19.4
EPSE 12.7X□-6 ss	12.7	3/8	9.53	7.1	27	27	22	60.0	32.0	9.0	18.0	59.5	31.5	2.0	22.6
EPSE 12.7X□-8 ss	12.7	1/2	12.7	9.9	27	27	22	65.5	32.0	9.0	23.5	65.0	31.5	2.0	22.6
EPSE 12.7X□-12 ss	12.7	3/4	19.05	15.0	27	27	22	67.0	32.0	9.0	25.2	66.5	31.5	2.0	22.6
EPSE 19.05X□-8 ss	19.05	1/2	12.7	9.9	32	32	27	70.0	37.0	11.0	23.5	68.0	35.0	2.0	27.0
EPSE 19.05X□-12 ss	19.05	3/4	19.05	15.0	32	32	27	71.5	37.0	11.0	25.2	69.5	35.0	2.0	27.0

EP-fit	EPFA	Plug
--------	------	------



Part No.	A (Hose O.D)	H (HEX)
	mm	mm
EPFA 6.35X□ ss	6.35	14
EPFA 9.53X□ ss	9.53	17
EPFA 12.7X□ ss	12.7	22

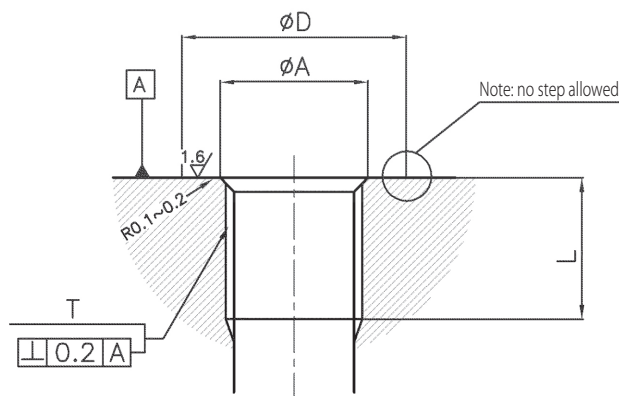
EP-fit	EPCA	Cap
--------	------	-----



Part No.	A (Hose O.D)	h (HEX)	H (HEX)	ℓ	ℓ1	L	(D)
	mm	mm	mm	mm	mm	mm	mm
EPCA 6.35X□ ss	6.35	14	14	18.0	6.8	17.2	2.0
EPCA 9.53X□ ss	9.53	17	17	21.0	8.0	20.5	2.0
EPCA 12.7 X□ ss	12.7	22	22	24.0	9.0	23.5	2.0
EPCA 19.05X□ ss	19.05	27	27	31.0	11.0	29.0	2.0

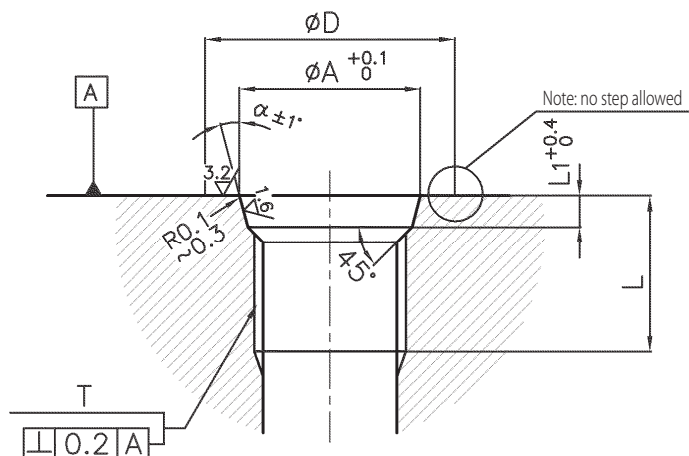
EP-fit	Hose Dimension Sheet (Fractional Size)
--------	--

Hose inside diameter size list			
A(Hose)		(Name) Size indication	E
φ Outer diameter	φ Inside diameter		
mm	mm	mm	mm
4.76	3.17	4.76 X 3.17	2.7
6.35	3.17	6.35 X 3.17	2.7
6.35	3.96	6.35 X 3.96	3.5
6.35	4.35	6.35 X 4.35	3.9
9.53	6.35	9.53 X 6.35	5.9
9.53	6.99	9.53 X 6.99	6.5
9.53	7.52	9.53 X 7.52	7.0
12.7	9.53	12.7 X 9.53	9.0
12.7	10.7	12.7 X 10.7	10.2
19.05	15.88	19.05 X 15.88	14.0



Thread Apply to a parallel thread for pipes of JIS B 0202			
T	A	D	L
G1/8	9.7	20	10
G1/4	13.1	25	14
G3/8	16.6	28	14
G1/2	20.9	34	17
G3/4	26.4	43	19
G 1	33.2	51	22

Thread Apply to a parallel thread for pipes of ISO 11926 and SAE 1926			
T	A	D	L
3/8-24UNF	9.5	18	10
7/16-20UNF	11.1	20	11.5
1/2-20UNF	12.7	23	11.5
9/16-18UNF	14.2	25	12.7
3/4-16UNF	19	30	14.3
7/8-14UNF	22.2	36	16.7
1 1/16-12UN	26.9	39	19
1 5/16-12UN	33.3	48	19



Apply to a parallel thread for pipes of JIS B 0202

T	A	D	L	L1	$\alpha$	※Recommended clamping torque
G1/8	11.6	18	10	2	15°	9.8N·m+10%
G1/4	15.6	24	14	2.5	15°	20N·m+10%
G3/8	18.6	28	14	2.5	15°	35N·m+10%
G1/2	22.6	34	17	2.5	15°	70N·m+10%
G3/4	29.8	45	19	3.5	15°	120N·m+10%
G 1	35.8	51	22	3.5	15°	180N·m+10%

※Materials are steel

Apply to a parallel thread for pipes of ISO 11926 and SAE 1926

T	A	D	L	L1	$\alpha$	※Recommended clamping torque
3/8-24UNF	10.7	19	10	1.9	12	11N·m+10%
7/16-20UNF	12.4	21	11.5	2.4	12	18N·m+10%
1/2-20UNF	14	23	11.5	2.4	12	23N·m+10%
9/16-18UNF	15.65	25	12.7	2.5	12	29N·m+10%
3/4-16UNF	20.6	30	14.3	2.5	15	49N·m+10%
7/8-14UNF	23.95	34	16.7	2.5	15	59N·m+10%
1 1/16-12UN	29.15	41	19	3.3	15	93N·m+10%
1 5/16-12UN	35.5	49	19	3.3	15	151N·m+10%

※Materials are steel



ISO9001, ISO14001 Certified Office  
Certified office for high-pressure gas facility testing and manufacturing,  
certified office for N valves and N-II fittings

---

## ***IHARA SCIENCE CORPORATION***

---

### **Headquarters/Sales Offices**

#### **Headquarters**

#### **East Japan Sales Office**

11-3 Takanawa 3-chome Minato-ku,  
Tokyo 108-0074 Japan  
TEL: 03-6721-6981 FAX: 03-6721-6991

#### **Tohoku Sales Office**

5600-3, Higashineko, Oaza, Higashine city,  
Yamagata prefecture 999-3701  
TEL: 0237-43-7802 FAX: 0237-43-7803

#### **Chubu Sales Office**

Tsukasa Building, 3-14-19, Chiyoda, Naka ward, Nagoya city, Aichi  
prefecture 460-0012  
TEL: 052-323-2627 FAX: 052-323-2630

#### **Kansai Sales Office**

7F, GL Osaka Building, 4-1-18, Tenma, Kita ward Osaka city, Osaka  
prefecture 530-0043  
TEL: 06-6358-9255 FAX: 06-6358-9260

#### **Kyushu Sales Office**

103, Maison de Sophie, 1-1-8, Onoue, Kumamoto city, Kumamoto  
prefecture 862-0913  
TEL: 096-386-5353 FAX: 096-386-5354

### **Group Companies**

#### **Yamagata-Ihara Corporation**

5600-3, Higashineko, Oaza, Higashine city,  
Yamagata prefecture 999-3701  
TEL: +81-237-43-5501 FAX: +81-237-43-5504

#### **IHARA SCIENCE TAIWAN Co.,Ltd**

No.79, Mingyi St., West Dist.,  
Taichung City 403, Taiwan (R.O.C.)  
TEL: +886-4-2319-1116 FAX: +886-4-2319-1126

#### **SUZHOU IHARA SCIENCE Co.,Ltd.**

SHANGHAI OFFICE  
UnitJ-11F, Huamin Empire Plaza, No.728, YanAn Road(W),  
Shanghai 200050, R.P.China  
TEL: +86-21-5239-9884 FAX: +86-21-5283-3811

#### **IHARA KOREA Co.,Ltd**

Digital Empire II103-905, Sinwon-ro 88, Yeongtong-Gu, Suwon-Si  
Gyeonggi-Do, 443-734, South Korea  
TEL: +82-31-695-6800 FAX: +82-31-695-6808

#### **IHARA SCIENCE USA CORPORATION**

1915 Peters Road, Suite 103 Irving, Texas 75061  
TEL: +1-469-586-4671 FAX: +1-469-586-4723

■ URL : <http://www.ihara-sc.co.jp>

