

RoHS Compliant

ep fit

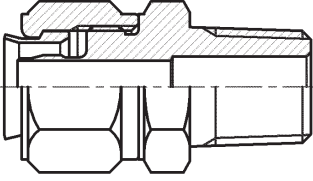
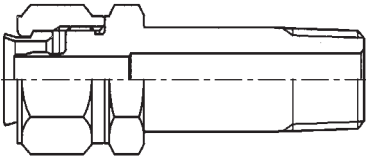
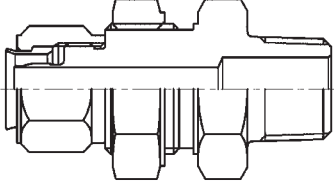
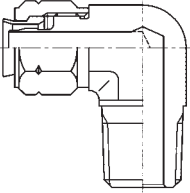
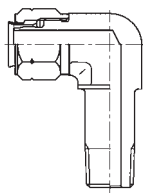
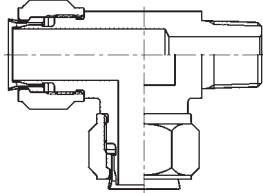
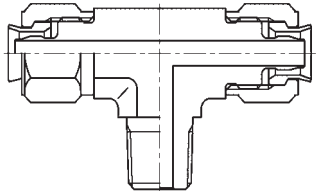
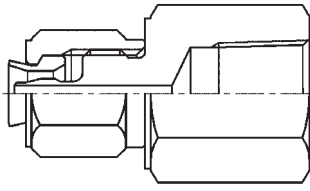
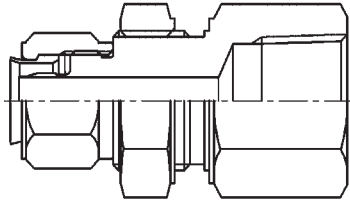
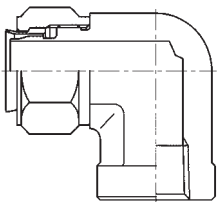
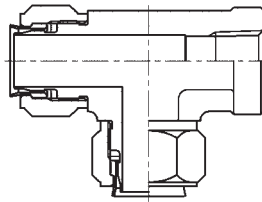
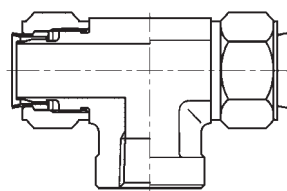
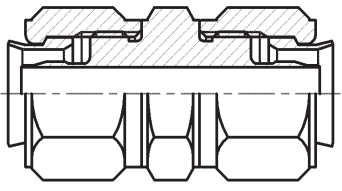
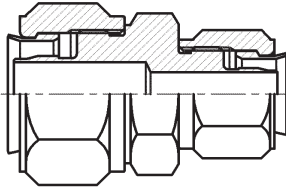
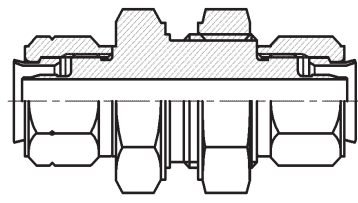
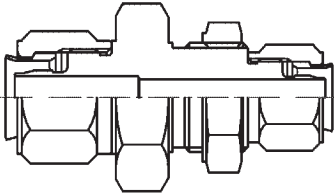
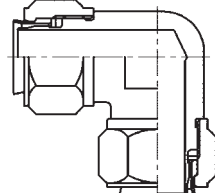
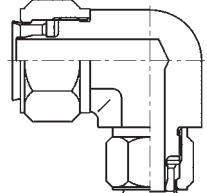
Stainless fitting for plastic tube

DIMENSION SHEET

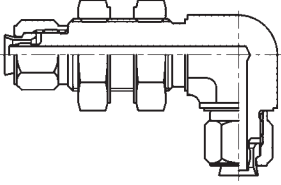
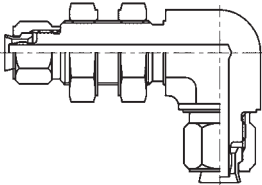
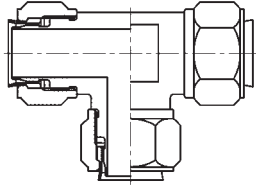
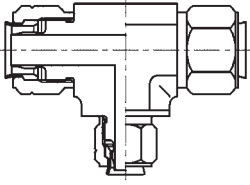
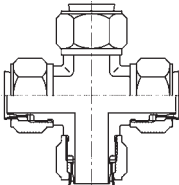
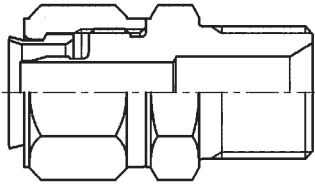
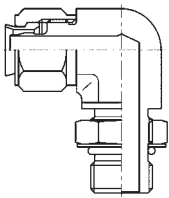
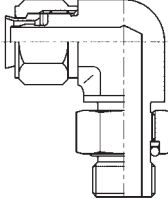
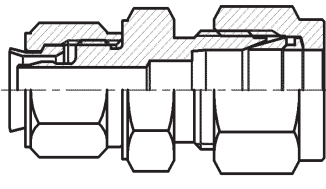
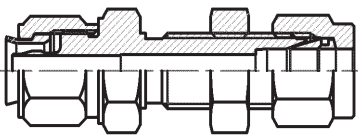
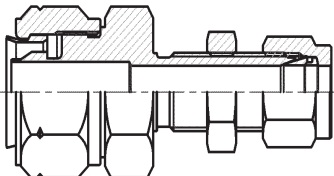
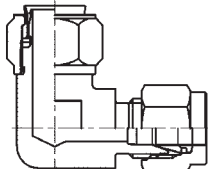
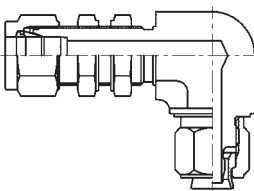
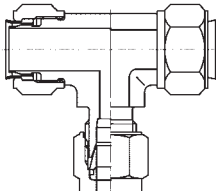
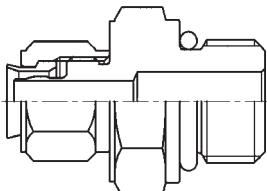
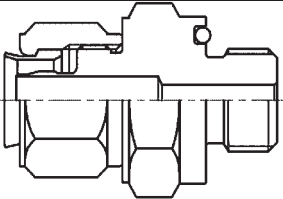
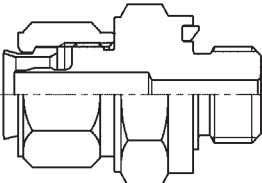
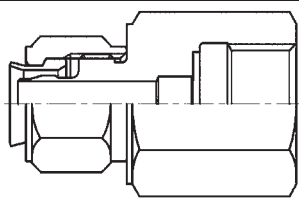
Metric Series

IHARA SCIENCE CORPORATION

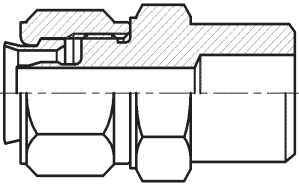
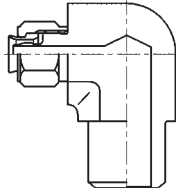
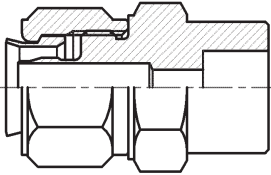
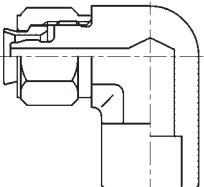
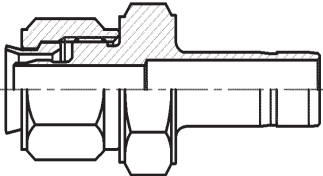
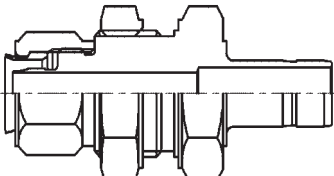
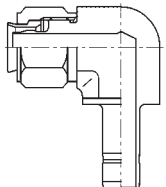
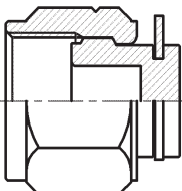
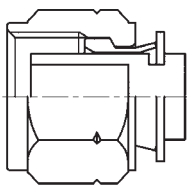
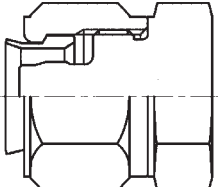
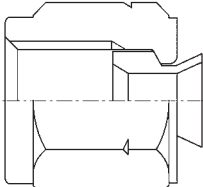
Visual Index

4	Male Connector EPCT	5	Long Male Connector EPCC	5	Bulkhead Male Connector EPSC
					
6	Male Elbow EPLN	7	Long Male Elbow EPLL	7	Male Run Tee EPTK
					
8	Male Branch Tee EPTN	9	Female Connector EPSA	10	Bulkhead Female Connector EPSS
					
11	Female Elbow Connector EPLF	12	Female Run Tee EPTF	13	Female Branch Tee EPTH
					
13	Union EPUA	14	Reducing Union EPUR	15	Bulkhead Union EPSU
					
16	Bulkhead Reducing Union EPSUR	18	Union Elbow EPLA	18	Reducing Elbow EPLR
					

Visual Index

19	Bulkhead Union Elbow EPSL	20	Bulkhead Reducing Union Elbow EPSLR	21	Union Tee EPTA
					
22	Reducing Union Tee EPTR	23	Union Cross EPXA	23	Male Connector for 30° Hose Adapter EPUY
					
24	Positional Elbow EPLO	25	Positional Elbow EPLG	26	BI-Lok to Epfit Union EPUY
					
28	BI-Lok to Epfit Bulkhead Union EPSUY	30	BI-Lok Bored Thru Bulkhed Union EPSUYZ	31	BI-Lok to Epfit Elbow EPLY
					
33	BI-Lok to Epfit Bulkhead Elbow EPSLY	33	BI-Lok to Epfit Tee EPTY	35	O-ring seal Male Connector EPCU
					
36	O-ring seal Male Connector EPCO	37	Elastomer Seal Connector EPEO	37	Gauge Connector EPGA
					

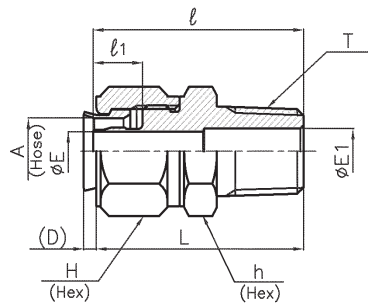
Visual Index

<p>38</p> 	<p>Male Pipe Weld Connector EPCB</p>	<p>39</p> 	<p>Male Pipe Weld Elbow EPLB</p>	<p>40</p> 	<p>Tube Socket Weld Connector EPCW</p>
<p>40</p> 	<p>Tube Socket Weld Elbow EPLW</p>	<p>41</p> 	<p>Reducer for BI-Lok EPRE</p>	<p>43</p> 	<p>Bulkhead Reducer for BI-Lok EPSE</p>
<p>44</p> 	<p>Reducer Elbow for BI-Lok EPLH</p>	<p>45</p> 	<p>Plug EPBA</p>	<p>45</p> 	<p>Plug EPFA</p>
<p>46</p> 	<p>Cap EPCA</p>	<p>46</p> 	<p>Nat Assembly EPNA</p>	<p>46 Hose Dimension Sheet (Metric Size)</p> <p>Hose Dimension Sheet</p>	
<p>47</p>	<p>Shape, dimensions of the other side port of the parallel thread form</p>				

EP-fit

EPCT

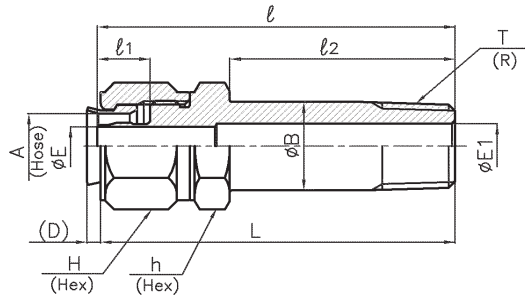
Male Connector ANSI NPT ISO/JIS R



ϕE (Hose I-D): Refer to Hose dimension sheet on page 46

Part No.		A (Hose O.D.)	T	E1	h (HEX)	H (HEX)	ϱ	$\varrho 1$	L	(D)	
ANSI NPT	ISO/JIS R	mm	NPT/R	mm	mm	mm	mm	mm	mm	mm	
EPCT 4X□-2 ss	EPCT 4X□-R2 ss	4	1/8	4.0	12	10	27.5	6.0	26.5	1.5	
EPCT 4X□-4 ss	EPCT 4X□-R4 ss	4	1/4	7.0	14	10	31.5	6.0	30.5	1.5	
EPCT 6X□-1 ss	EPCT 6X□-R2 ss EPCT 6X□-R4 ss EPCT 6X□-R6 ss EPCT 6X□-R8 ss	6	1/16	3.0	12	12	26.0	6.5	25.0	2.0	
EPCT 6X□-2 ss		6	1/8	4.0	12	12	28.0	6.5	27.0	2.0	
EPCT 6X□-4 ss		6	1/4	7.0	14	12	32.0	6.5	31.0	2.0	
EPCT 6X□-6 ss		6	3/8	9.0	19	12	33.0	6.5	32.0	2.0	
		6	3/8	9.0	19	12	34.0	6.5	33.0	2.0	
		6	1/2	12.0	22	12	39.0	6.5	38.0	2.0	
EPCT 8X□-2 ss	EPCT 8X□-R2 ss	8	1/8	4.0	14	14	29.5	7.5	28.5	2.0	
EPCT 8X□-4 ss	EPCT 8X□-R4 ss	8	1/4	7.0	14	14	33.5	7.5	32.5	2.0	
		8	3/8	9.0	19	14	34.5	7.5	33.5	2.0	
EPCT 8X□-6 ss	EPCT 8X□-R6 ss EPCT 8X□-R8 ss	8	3/8	9.0	19	14	35.5	7.5	34.5	2.0	
		8	3/8	9.0	19	14	35.5	7.5	34.5	2.0	
		8	1/2	12.0	22	14	40.5	7.5	39.5	2.0	
EPCT 10X□-4 ss EPCT 10X□-6 ss	EPCT 10X□-R2 ss	10	1/8	4.0	17	17	30.0	8.0	29.5	2.0	
	EPCT 10X□-R4 ss	10	1/4	7.0	17	17	34.0	8.0	33.5	2.0	
	EPCT 10X□-R6 ss EPCT 10X□-R8 ss	10	3/8	9.0	19	17	35.0	8.0	34.5	2.0	
		10	3/8	9.0	19	17	36.0	8.0	35.5	2.0	
		10	1/2	12.0	22	17	41.0	8.0	39.5	2.0	
EPCT 12X□-2 ss	EPCT 12X□-R2 ss	12	1/8	4.0	19	19	32.5	9.0	32.0	2.0	
	EPCT 12X□-R4 ss	12	1/4	7.0	19	19	37.5	9.0	37.0	2.0	
EPCT 12X□-6 ss	EPCT 12X□-R6 ss EPCT 12X□-R8 ss	12	3/8	9.0	19	19	37.5	9.0	37.0	2.0	
		12	3/8	9.0	19	19	38.5	9.0	38.0	2.0	
EPCT 12X□-8 ss EPCT 12X□-12 ss	EPCT 12X□-R8 ss EPCT 12X□-R12 ss	12	1/2	12.0	22	19	43.5	9.0	43.0	2.0	
		12	3/4	16.0	27	19	45.5	9.0	45.0	2.0	
		12	3/4	16.0	27	19	46.5	9.0	46.0	2.0	
EPCT 16X□-6 ss EPCT 16X□-8 ss	EPCT 16X□-R4 ss	16	1/4	7.0	22	24	39.0	10.5	37.5	2.5	
	EPCT 16X□-R6 ss EPCT 16X□-R8 ss	16	3/8	9.0	22	24	39.0	10.5	37.5	2.5	
		16	3/8	9.0	22	24	40.0	10.5	38.5	2.5	
	EPCT 16X□-12 ss	EPCT 16X□-R8 ss	16	1/2	12.0	22	24	45.0	10.5	43.5	2.5
		EPCT 16X□-R12 ss	16	3/4	16.0	27	24	49.0	10.5	47.5	2.5
EPCT 18X□-6 ss EPCT 18X□-8 ss	EPCT 18X□-R4 ss	18	1/4	7.0	24	27	40.5	10.5	39.5	2.0	
	EPCT 18X□-R6 ss EPCT 18X□-R8 ss	18	3/8	9.0	24	27	40.5	10.5	39.5	2.0	
		18	3/8	9.0	24	27	41.5	10.5	40.5	2.0	
	EPCT 18X□-12 ss EPCT 18X□-16 ss	EPCT 18X□-R8 ss	18	1/2	12.0	24	27	45.5	10.5	44.5	2.0
		EPCT 18X□-R12 ss EPCT 18X□-R16 ss	18	3/4	16.0	27	27	49.5	10.5	48.5	2.0
		18	1	22.5	36	27	54.5	10.5	53.5	2.0	
EPCT 19X□-12 ss	EPCT 19X□-R6 ss	19	3/8	9.0	27	27	46.5	11.0	44.5	3.2	
	EPCT 19X□-R8 ss	19	1/2	12.0	27	27	49.5	11.0	47.5	3.2	
	EPCT 19X□-R12 ss EPCT 19X□-R16 ss	19	3/4	16.0	30	27	49.5	11.0	47.5	3.2	
		19	3/4	16.0	30	27	51.5	11.0	49.5	3.2	
		19	1	22.5	36	27	56.5	11.0	54.5	3.2	
EPCT 22X□-8 ss EPCT 22X□-12 ss	EPCT 22X□-R8 ss	22	1/2	12.0	30	32	51.5	12.0	50.0	2.5	
	EPCT 22X□-R12 ss	22	3/4	16.0	30	32	53.5	12.0	52.0	2.5	

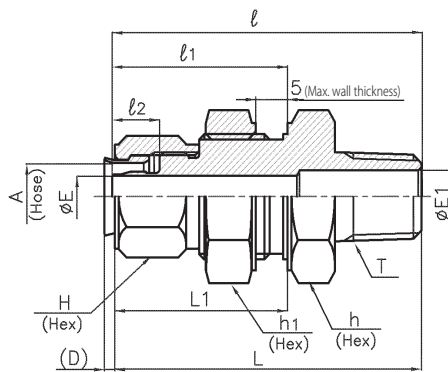
EP-fit	EPCC	Long Male Connector ISO/JIS R
--------	------	-------------------------------



※NPT thread production is available ϕE (Hose I·D): Refer to Hose dimension sheet on page 46

Part No.	A (Hose O.D)	T	B	E1	h (HEX)	H (HEX)	ϕ	$\phi 1$	$\phi 2$	L	(D)
ISO/JIS R	mm	R	mm	mm	mm	mm	mm	mm	mm	mm	mm
EPCC 4X□-R2 ss	4	1/8	10.5	4.8	12	10	54.5	6.0	37.0	53.5	1.5
EPCC 4X□-R4 ss	4	1/4	14.0	7.1	14	10	58.5	6.0	41.0	57.5	1.5
EPCC 6X□-R2 ss	6	1/8	10.5	4.8	12	12	56.0	6.5	38.0	55.0	2.0
EPCC 6X□-R4 ss	6	1/4	14.0	7.1	14	12	60.5	6.5	42.5	59.5	2.0
EPCC 8X□-R2 ss	8	1/8	10.5	4.8	14	14	59.0	7.5	39.5	58.0	2.0
EPCC 8X□-R4 ss	8	1/4	14.0	7.1	14	14	63.5	7.5	44.0	62.5	2.0
EPCC 10X□-R4 ss	10	1/4	14.0	7.1	17	17	64.5	8.0	44.5	64.0	2.0
EPCC 10X□-R6 ss	10	3/8	17.5	10.4	19	17	68.5	8.0	47.5	68.0	2.0
EPCC 12X□-R4 ss	12	1/4	14.0	7.1	19	19	70.5	9.0	47.0	70.0	2.0
EPCC 12X□-R6 ss	12	3/8	17.5	10.4	19	19	73.5	9.0	50.0	73.0	2.0
EPCC 16X□-R6 ss	16	3/8	17.5	10.4	22	24	76.0	10.5	51.0	74.5	2.5
EPCC 16X□-R8 ss	16	1/2	22	12.7	22	24	84.0	10.5	58.0	82.5	2.5
EPCC 18X□-R6 ss	18	3/8	17.5	10.4	24	27	79.0	10.5	52.5	78.0	2.0
EPCC 19X□-R8 ss	19	1/2	22	12.7	27	27	93.5	11.0	63.0	91.5	3.2
EPCC 22X□-R12 ss	22	3/4	27.5	16.0	30	32	98.5	12.0	66.0	97.0	2.5

EP-fit	EPSC	Bulkhead Male Connector ISO/JIS R
--------	------	-----------------------------------



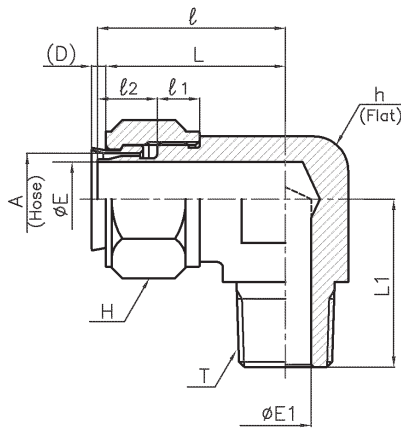
※NPT thread production is available ϕE (Hose I·D): Refer to Hose dimension sheet on page 46

Part No.	A (Hose O.D)	T	E1	h (HEX)	h1 (HEX)	H (HEX)	ϕ	$\phi 1$	$\phi 2$	L	L1	(D)	Panel hole diameter
ISO/JIS R	mm	R	mm	mm	mm	mm	mm	mm	mm	mm	mm	mm	mm
EPSC 10X□-R4 ss	10	1/4	7.0	24	24	17	51.5	28.5	8.0	51.0	28.0	2.0	19.4
EPSC 18X□-R8 ss	18	1/2	12.0	32	32	27	62.5	34.0	10.5	61.5	33.0	2.0	27.0
EPSC 18X□-R12 ss	18	3/4	16.5	32	32	27	65.5	34.0	10.5	64.5	33.0	2.0	27.0

EP-fit

EPLN

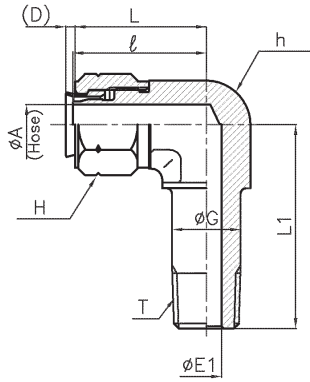
Male Elbow ANSI NPT ISO/JIS R



ϕE (Hose I·D): Refer to Hose dimension sheet on page 46

Part No.		A (Hose O.D)	T	E1	h (FLAT)	H (HEX)	ϕ	$\phi 1$	L	L1	(D)
ANSI NPT	ISO/JIS R	mm	NPT/R	mm	mm	mm	mm	mm	mm	mm	mm
EPLN 4X□-2 ss	EPLN 4X□-R2 ss	4	1/8	4.0	12	10	21.0	6.0	20.0	19.0	1.5
EPLN 4X□-4 ss	EPLN 4X□-R4 ss	4	1/4	7.0	14	10	22.0	6.0	21.0	24.0	1.5
EPLN 6X□-2 ss	EPLN 6X□-R2 ss	6	1/8	4.0	12	12	21.0	6.5	20.0	19.0	2.0
	EPLN 6X□-R4 ss	6	1/4	7.0	14	12	22.0	6.5	21.0	24.0	2.0
EPLN 6X□-4 ss	EPLN 6X□-R6 ss	6	3/8	9.0	17	12	24.0	6.5	23.0	28.0	2.0
EPLN 6X□-6 ss	EPLN 6X□-R8 ss	6	1/2	12.0	22	12	29.0	6.5	28.0	33.0	2.0
EPLN 8X□-2 ss	EPLN 8X□-R2 ss	8	1/8	4.0	14	14	22.5	7.5	21.5	20.0	2.0
EPLN 8X□-4 ss	EPLN 8X□-R4 ss	8	1/4	7.0	14	14	22.5	7.5	21.5	24.0	2.0
EPLN 8X□-6 ss	EPLN 8X□-R6 ss	8	3/8	9.0	17	14	25.5	7.5	24.5	28.0	2.0
EPLN 8X□-8 ss	EPLN 8X□-R8 ss	8	1/2	12.0	22	14	30.5	7.5	29.5	33.0	2.0
	EPLN 8X□-R12 ss	8	3/4	16.0	27	14	33.5	7.5	32.5	38.5	2.0
EPLN 10X□-4 ss	EPLN 10X□-R2 ss	10	1/8	4.0	17	17	25.0	8.0	24.5	24.0	2.0
	EPLN 10X□-R4 ss	10	1/4	7.0	17	17	25.0	8.0	24.5	28.0	2.0
EPLN 10X□-6 ss	EPLN 10X□-R6 ss	10	3/8	9.0	17	17	25.0	8.0	24.5	28.0	2.0
EPLN 10X□-8 ss	EPLN 10X□-R8 ss	10	1/2	12.0	22	17	30.5	8.0	30.0	33.0	2.0
EPLN 12X□-2 ss	EPLN 12X□-R4 ss	12	1/4	7.0	22	19	30.5	9.0	30.0	25.5	2.0
EPLN 12X□-4 ss	EPLN 12X□-R6 ss	12	3/8	9.0	22	19	30.5	9.0	30.0	29.5	2.0
EPLN 12X□-6 ss	EPLN 12X□-R8 ss	12	1/2	12.0	22	19	30.5	9.0	30.0	33.0	2.0
EPLN 12X□-8 ss	EPLN 12X□-R12 ss	12	3/4	16.0	27	19	33.5	9.0	33.0	38.5	2.0
EPLN 16X□-6 ss	EPLN 16X□-R6 ss	16	3/8	9.0	22	24	33.0	10.5	31.5	29.5	2.5
EPLN 16X□-8 ss	EPLN 16X□-R8 ss	16	1/2	12.0	22	24	33.0	10.5	31.5	33.0	2.5
	EPLN 16X□-R12 ss	16	3/4	16.0	27	24	36.0	10.5	34.5	38.5	2.5
EPLN 18X□-6 ss	EPLN 18X□-R6 ss	18	3/8	9.0	24	27	36.0	10.5	35.0	32.5	2.0
EPLN 18X□-8 ss	EPLN 18X□-R8 ss	18	1/2	12.0	24	27	36.0	10.5	35.0	36.5	2.0
EPLN 19X□-8 ss	EPLN 19X□-R8 ss	19	1/2	12.0	27	27	39.0	11.0	37.0	36.5	3.2
EPLN 19X□-12 ss	EPLN 19X□-R12 ss	19	3/4	16.0	27	27	39.0	11.0	37.0	38.5	3.2
	EPLN 22X□-R8 ss	22	1/2	12.0	27	32	40.0	12.0	38.5	36.5	2.5
	EPLN 22X□-R12 ss	22	3/4	16.0	27	32	40.0	12.0	38.5	38.5	2.5

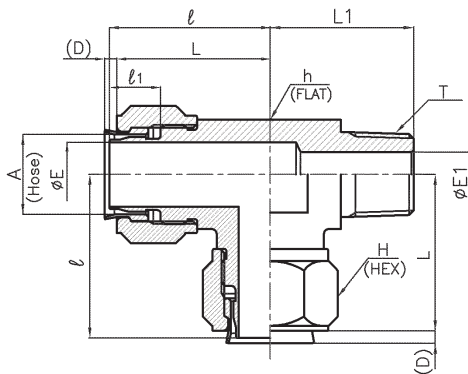
EP-fit	EPLL	Long Male Elbow ISO/JIS R
--------	------	---------------------------



φ E (Hose I·D): Refer to Hose dimension sheet on page 46

Part No.	A (Hose O.D)	T	E1	G	h (FLAT)	H (HEX)	ℓ	ℓ1	L	L1	(D)
ISO/JIS R	mm	R	mm	mm	mm	mm	mm	mm	mm	mm	mm
EPLL 8X□-R4 ss	8	1/4	7.0	14.0	15.9	14	22.5	7.5	21.5	48.0	2.0

EP-fit	EPTK	Male Run Tee ISO/JIS R
--------	------	------------------------



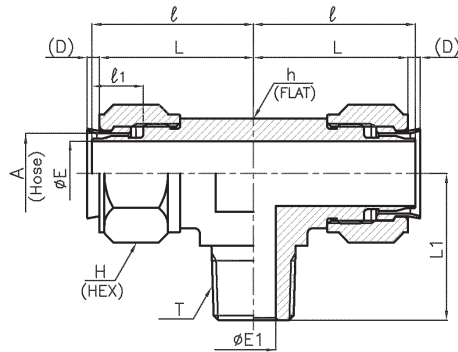
φ E (Hose I·D): Refer to Hose dimension sheet on page 46

Part No.	A (Hose O.D)	T	E1	h (FLAT)	H (HEX)	ℓ	ℓ1	L	L1	(D)
ISO/JIS R	mm	R	mm	mm	mm	mm	mm	mm	mm	mm
EPTK 4X□-R2 ss	4	1/8	4.0	12	10	21.0	6.0	20.0	19.0	1.5
EPTK 4X□-R4 ss	4	1/4	7.0	14	10	22.0	6.0	21.0	24.0	1.5
EPTK 6X□-R2 ss	6	1/8	4.0	12	12	22.0	6.5	21.0	19.0	2.0
EPTK 6X□-R4 ss	6	1/4	7.0	14	12	22.0	6.5	21.0	24.0	2.0
EPTK 6X□-R6 ss	6	3/8	9.0	17	12	24.0	6.5	23.0	28.0	2.0
EPTK 8X□-R2 ss	8	1/8	4.0	14	14	22.5	7.5	21.5	20.0	2.0
EPTK 8X□-R4 ss	8	1/4	7.0	14	14	22.5	7.5	21.5	24.0	2.0
EPTK 8X□-R6 ss	8	3/8	9.0	17	14	25.5	7.5	24.5	28.0	2.0
EPTK 10X□-R4 ss	10	1/4	7.0	17	17	25.0	8.0	24.5	28.0	2.0
EPTK 10X□-R6 ss	10	3/8	9.0	17	17	25.0	8.0	24.5	28.0	2.0
EPTK 12X□-R6 ss	12	3/8	9.0	22	19	30.5	9.0	30.0	30.0	2.0
EPTK 12X□-R8 ss	12	1/2	12.0	22	19	30.5	9.0	30.0	33.0	2.0
EPTK 16X□-R6 ss	16	3/8	9.0	22	24	33.0	10.5	31.5	29.5	2.5
EPTK 16X□-R8 ss	16	1/2	12.0	22	24	33.0	10.5	31.5	33.0	2.5
EPTK 18X□-R6 ss	18	3/8	9.0	24	27	36.0	10.5	35.0	32.5	2.0
EPTK 18X□-R8 ss	18	1/2	12.0	24	27	36.0	10.5	35.0	36.5	2.0
EPTK 19X□-R12 ss	19	3/4	16.0	27	27	39.0	11.0	37.0	38.5	3.2

EP-fit

EPTN

Male Branch Tee ANSI NPT ISO/JIS R



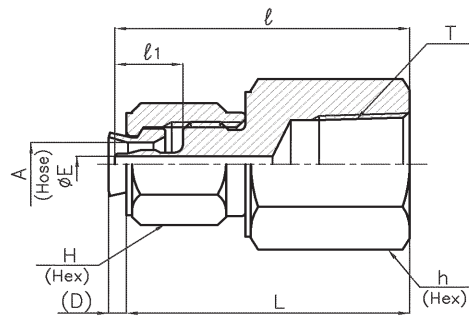
ϕE (Hose I·D): Refer to Hose dimension sheet on page 46

Part No.		A (Hose O.D)	T	E1	h (HEX)	H (HEX)	ϱ	ϱ_1	L	L1	(D)
ANSI NPT	ISO/JIS R	mm	NPT/R	mm	mm	mm	mm	mm	mm	mm	mm
EPTN 4X□-2 ss	EPTN 4X□-R2 ss	4	1/8	4.0	12	10	21.0	6.0	20.0	19.0	1.5
EPTN 4X□-4 ss	EPTN 4X□-R4 ss	4	1/4	7.0	14	10	22.0	6.0	21.0	24.0	1.5
EPTN 6X□-4 ss	EPTN 6X□-R2 ss	6	1/8	4.0	12	12	22.0	6.5	21.0	19.0	2.0
	EPTN 6X□-R4 ss	6	1/4	7.0	14	12	22.0	6.5	21.0	24.0	2.0
EPTN 6X□-6 ss	EPTN 6X□-R6 ss	6	3/8	9.0	17	12	24.0	6.5	23.0	28.0	2.0
EPTN 8X□-4 ss	EPTN 8X□-R4 ss	8	1/4	7.0	14	14	22.5	7.5	21.5	24.0	2.0
EPTN 8X□-6 ss	EPTN 8X□-R6 ss	8	3/8	9.0	17	14	25.5	7.5	24.5	28.0	2.0
EPTN 10X□-4 ss	EPTN 10X□-R4 ss	10	1/4	7.0	17	17	25.0	8.0	24.5	28.0	2.0
EPTN 10X□-6 ss	EPTN 10X□-R6 ss	10	3/8	9.0	17	17	25.0	8.0	24.5	28.0	2.0
	EPTN 10X□-R8 ss	10	1/2	12.0	22	17	29.0	8.0	28.5	33.0	2.0
EPTN 12X□-6 ss	EPTN 12X□-R6 ss	12	3/8	9.0	22	19	30.5	9.0	30.0	30.0	2.0
EPTN 12X□-8 ss	EPTN 12X□-R8 ss	12	1/2	12.0	22	19	30.5	9.0	30.0	33.0	2.0
EPTN 16X□-6 ss	EPTN 16X□-R6 ss	16	3/8	9.0	22	24	33.0	10.5	31.5	29.5	2.5
EPTN 16X□-8 ss	EPTN 16X□-R8 ss	16	1/2	12.0	22	24	33.0	10.5	31.5	33.0	2.5
EPTN 18X□-6 ss	EPTN 18X□-R6 ss	18	3/8	9.0	24	27	36.0	10.5	35.0	32.5	2.0
EPTN 18X□-8 ss	EPTN 18X□-R8 ss	18	1/2	12.0	24	27	36.0	10.5	35.0	36.5	2.0
EPTN 19X□-12 ss	EPTN 19X□-R12 ss	19	3/4	16.0	27	27	39.0	11.0	37.0	38.5	3.2

EP-fit

EPSA

Female Connector ANSI NPT ISO/JIS Rc



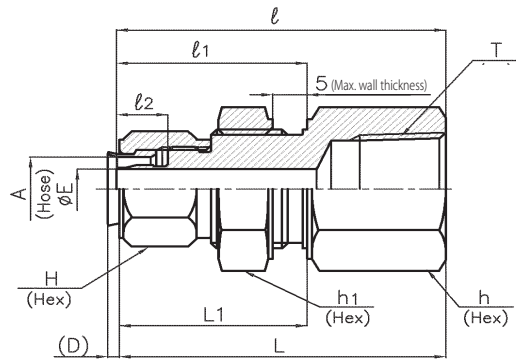
ϕE (Hose I·D): Refer to Hose dimension sheet on page 46

Part No.		A (Hose O.D)	T	h (HEX)	H (HEX)	l	l_1	L	(D)
ANSI NPT	ISO/JIS Rc	mm	NPT/R	mm	mm	mm	mm	mm	mm
EPSA 4X□-2 ss	EPSA 4X□-R2 ss	4	1/8	14	10	26.0	6.0	25.0	1.5
EPSA 4X□-4 ss	EPSA 4X□-R4 ss	4	1/4	19	10	30.5	6.0	29.5	1.5
EPSA 6X□-4 ss EPSA 6X□-6 ss	EPSA 6X□-R2 ss	6	1/8	14	12	26.5	6.5	25.5	2.0
	EPSA 6X□-R4 ss	6	1/4	19	12	31.0	6.5	30.0	2.0
	EPSA 6X□-R6 ss	6	3/8	22	12	32.0	6.5	31.0	2.0
EPSA 8X□-4 ss EPSA 8X□-6 ss	EPSA 8X□-R2 ss	8	1/8	14	14	28.0	7.5	27.0	2.0
	EPSA 8X□-R4 ss	8	1/4	19	14	32.5	7.5	31.5	2.0
	EPSA 8X□-R6 ss	8	3/8	22	14	33.5	7.5	32.5	2.0
	EPSA 8X□-R16 ss	8	3/8	22	14	34.5	7.5	33.5	2.0
EPSA 10X□-4 ss EPSA 10X□-6 ss	EPSA 10X□-R4 ss	10	1/4	19	17	33.0	8.0	32.5	2.0
	EPSA 10X□-R6 ss	10	3/8	22	17	34.0	8.0	33.5	2.0
	EPSA 10X□-R8 ss	10	3/8	22	17	35.0	8.0	34.5	2.0
	EPSA 10X□-R8 ss	10	1/2	27	17	38.5	8.0	38.0	2.0
EPSA 12X□-4 ss EPSA 12X□-6 ss EPSA 12X□-8 ss	EPSA 12X□-R4 ss	12	1/4	19	19	35.5	9.0	35.0	2.0
	EPSA 12X□-R6 ss	12	3/8	22	19	38.5	9.0	38.0	2.0
	EPSA 12X□-R8 ss	12	1/2	27	19	42.0	9.0	41.5	2.0
	EPSA 12X□-R12 ss	12	3/4	32	19	45.5	9.0	45.0	2.0
EPSA 16X□-6 ss EPSA 16X□-8 ss	EPSA 16X□-R6 ss	16	3/8	22	24	39.0	10.5	37.5	2.5
	EPSA 16X□-R8 ss	16	1/2	27	24	42.0	10.5	40.5	2.5
	EPSA 16X□-R12 ss	16	3/4	32	24	49.0	10.5	47.5	2.5
EPSA 18X□-6 ss EPSA 18X□-8 ss	EPSA 18X□-R6 ss	18	3/8	27	27	40.0	10.5	39.0	2.0
	EPSA 18X□-R8 ss	18	1/2	27	27	44.0	10.5	43.0	2.0
EPSA 19X□-12 ss	EPSA 19X□-R12 ss	19	3/4	32	27	50.5	11.0	48.5	3.2

EP-fit

EPSS

Bulkhead Female Connector ISO/JIS Rc



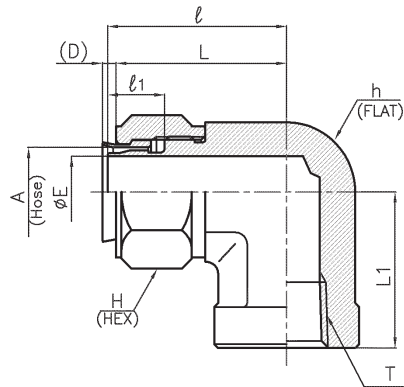
※NPT thread production is possible ϕE (Hose I·D): Refer to Hose dimension sheet on page 46

Part No.	A (Hose O.D)	T	h (HEX)	h1 (HEX)	H (HEX)	ℓ	ℓ_1	ℓ_2	L	L1	(D)	Panel hole diameter
ISO/JIS Rc	mm	R	mm	mm	mm	mm	mm	mm	mm	mm	mm	mm
EPSS 4X□-R2 ss	4	1/8	17	17	10	39.5	25.5	6.0	38.5	24.5	1.5	11.5
EPSS 4X□-R4 ss	4	1/4	19	17	10	43.5	25.5	6.0	42.5	24.5	1.5	11.5
EPSS 6X□-R2 ss	6	1/8	17	19	12	40.0	26.0	6.5	39.0	25.0	2.0	13.1
EPSS 6X□-R4 ss	6	1/4	19	19	12	44.0	26.0	6.5	43.0	25.0	2.0	13.1
EPSS 6X□-R6 ss	6	3/8	22	19	12	46.0	26.0	6.5	45.0	25.0	2.0	13.1
EPSS 6X□-R8 ss	6	1/2	27	19	12	50.5	26.0	6.5	49.5	25.0	2.0	13.1
EPSS 8X□-R2 ss	8	1/8	22	22	14	42.0	27.5	7.5	41.0	26.5	2.0	16.3
EPSS 8X□-R4 ss	8	1/4	22	22	14	46.0	27.5	7.5	45.0	26.5	2.0	16.3
EPSS 8X□-R6 ss	8	3/8	22	22	14	48.0	27.5	7.5	47.0	26.5	2.0	16.3
EPSS 8X□-R8 ss	8	1/2	27	22	14	52.5	27.5	7.5	51.5	26.5	2.0	16.3
EPSS 10X□-R4 ss	10	1/4	24	24	17	47.5	28.5	8.0	47.0	28.0	2.0	19.4
EPSS 10X□-R6 ss	10	3/8	24	24	17	49.5	28.5	8.0	49.0	28.0	2.0	19.4
EPSS 10X□-R8 ss	10	1/2	27	24	17	54.0	28.5	8.0	53.5	28.0	2.0	19.4
EPSS 12X□-R4 ss	12	1/4	27	27	19	51.5	32.0	9.0	51.0	58.0	2.0	22.6
EPSS 12X□-R6 ss	12	3/8	27	27	19	53.5	32.0	9.0	53.0	58.0	2.0	22.6
EPSS 12X□-R8 ss	12	1/2	27	27	19	57.5	32.0	9.0	57.0	58.0	2.0	22.6
EPSS 16X□-R8 ss	16	1/2	30	30	24	59.5	33.5	10.5	58.0	32.0	2.0	25.8
EPSS 16X□-R12 ss	16	3/4	32	30	24	62.0	33.5	10.5	60.5	32.0	2.0	25.8

EP-fit

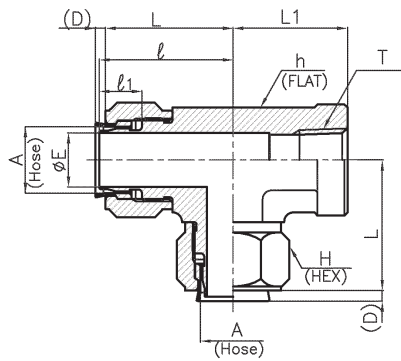
EPLF

Female Elbow Connector ANSI NPT ISO/JIS Rc



ϕE (Hose I·D): Refer to Hose dimension sheet on page 46

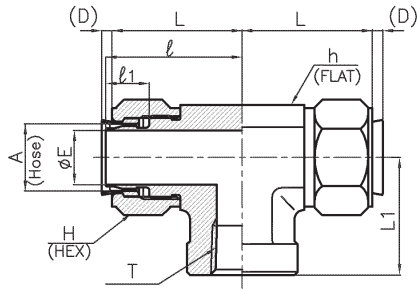
Part No.		A (Hose O.D)	T	h (FLAT)	H (HEX)	ℓ	ℓ_1	L	L1	(D)
ANSI NPT	ISO/JIS R	mm	NPT/Rc	mm	mm	mm	mm	mm	mm	mm
EPLF 4X□-2 ss	EPLF 4X□-R2 ss	4	1/8	17	10	23.5	6.0	22.5	19.0	1.5
EPLF 4X□-4 ss	EPLF 4X□-R4 ss	4	1/4	22	10	25.5	6.0	24.5	22.5	1.5
EPLF 6X□-2 ss	EPLF 6X□-R2 ss	6	1/8	17	12	24.0	6.5	23.0	19.0	2.0
EPLF 6X□-4 ss	EPLF 6X□-R4 ss	6	1/4	22	12	26.0	6.5	25.0	22.5	2.0
EPLF 6X□-6 ss	EPLF 6X□-R6 ss	6	3/8	24	12	27.0	6.5	26.0	23.5	2.0
EPLF 6X□-8 ss	EPLF 6X□-R8 ss	6	1/2	27	12	29.0	6.5	28.0	28.5	2.0
EPLF 8X□-2 ss	EPLF 8X□-R2 ss	8	1/8	17	14	24.5	7.5	23.5	19.0	2.0
EPLF 8X□-4 ss	EPLF 8X□-R4 ss	8	1/4	22	14	27.0	7.5	26.0	22.5	2.0
EPLF 8X□-6 ss	EPLF 8X□-R6 ss	8	3/8	24	14	28.5	7.5	27.5	23.5	2.0
EPLF 10X□-4 ss	EPLF 10X□-R4 ss	10	1/4	22	17	27.5	8.0	27.0	22.5	2.0
EPLF 10X□-6 ss	EPLF 10X□-R6 ss	10	3/8	24	17	29.0	8.0	28.5	23.5	2.0
EPLF 12X□-2 ss	EPLF 12X□-R2 ss	12	1/8	22	19	30.0	9.0	29.5	22.5	2.0
EPLF 12X□-4 ss	EPLF 12X□-R4 ss	12	1/4	22	19	30.0	9.0	29.5	22.5	2.0
EPLF 12X□-6 ss	EPLF 12X□-R6 ss	12	3/8	24	19	32.0	9.0	31.5	23.5	2.0
EPLF 16X□-6 ss	EPLF 16X□-R6 ss	16	3/8	24	24	33.5	10.5	32.0	23.5	2.5
EPLF 18X□-4 ss	EPLF 18X□-R4 ss	18	1/4	24	27	35.5	10.5	34.5	27.5	2.0
EPLF 18X□-6 ss	EPLF 18X□-R6 ss	18	3/8	24	27	35.5	10.5	34.5	28.0	2.0



※NPT thread production is possible ϕE (Hose I·D): Refer to Hose dimension sheet on page 46

Part No.	A (Hose O.D)	T	h (FLAT)	H (HEX)	l	l_1	L	L1	(D)
ISO/JIS R	mm	Rc	mm	mm	mm	mm	mm	mm	mm
EPTF 4X□-R2 ss	4	1/8	17	10	23.5	6.0	22.5	19.0	1.5
EPTF 4X□-R4 ss	4	1/4	22	10	25.5	6.0	24.5	22.5	1.5
EPTF 6X□-R2 ss	6	1/8	17	12	24.0	6.5	23.0	19.0	2.0
EPTF 6X□-R4 ss	6	1/4	22	12	26.0	6.5	25.0	22.5	2.0
EPTF 6X□-R6 ss	6	3/8	24	12	27.0	6.5	26.0	23.5	2.0
EPTF 6X□-R8 ss	6	1/2	27	12	29.0	6.5	28.0	28.5	2.0
EPTF 8X□-R2 ss	8	1/8	17	14	24.5	7.5	23.5	19.0	2.0
EPTF 8X□-R4 ss	8	1/4	22	14	27.0	7.5	26.0	22.5	2.0
EPTF 8X□-R6 ss	8	3/8	24	14	28.5	7.5	27.5	23.5	2.0
EPTF 10X□-R4 ss	10	1/4	22	17	27.5	8.0	27.0	22.5	2.0
EPTF 10X□-R6 ss	10	3/8	24	17	29.0	8.0	28.5	23.5	2.0
EPTF 12X□-R2 ss	12	1/8	22	19	30.0	9.0	29.5	22.5	2.0
EPTF 12X□-R4 ss	12	1/4	22	19	30.0	9.0	29.5	22.5	2.0
EPTF 12X□-R6 ss	12	3/8	24	19	32.0	9.0	31.5	23.5	2.0
EPTF 16X□-R6 ss	16	3/8	24	24	33.5	10.5	32.0	23.5	2.5
EPTF 18X□-R4 ss	18	1/4	24	27	35.5	10.5	34.5	27.5	2.0
EPTF 18X□-R6 ss	18	3/8	24	27	35.5	10.5	34.5	28.0	2.0

EP-fit	EPTH	Female Branch Tee ISO/JIS R
--------	------	-----------------------------

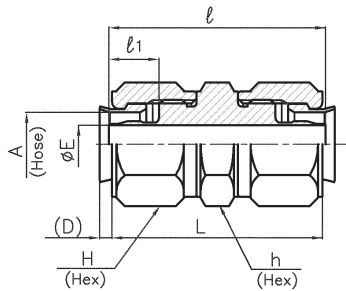


※NPT thread production is possible

φE (Hose I·D): Refer to Hose dimension sheet on page 46

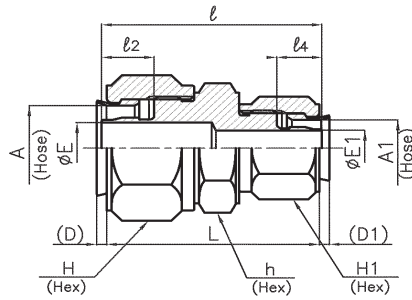
Part No.	A (Hose O.D)	T	h (FLAT)	H (HEX)	ℓ	ℓ1	L	L1	(D)
ISO/JIS R	mm	Rc	mm	mm	mm	mm	mm	mm	mm
EPTH 4X□-R2 ss	4	1/8	17	10	23.5	6.0	22.5	19.0	1.5
EPTH 4X□-R4 ss	4	1/4	22	10	25.5	6.0	24.5	22.5	1.5
EPTH 6X□-R2 ss	6	1/8	17	12	24.0	6.5	23.0	19.0	2.0
EPTH 6X□-R4 ss	6	1/4	22	12	26.0	6.5	25.0	22.5	2.0
EPTH 6X□-R6 ss	6	3/8	24	12	27.0	6.5	26.0	23.5	2.0
EPTH 6X□-R8 ss	6	1/2	27	12	29.0	6.5	28.0	28.5	2.0
EPTH 8X□-R2 ss	8	1/8	17	14	24.5	7.5	23.5	19.0	2.0
EPTH 8X□-R4 ss	8	1/4	22	14	27.0	7.5	26.0	22.5	2.0
EPTH 8X□-R6 ss	8	3/8	24	14	28.5	7.5	27.5	23.5	2.0
EPTH 10X□-R4 ss	10	1/4	22	17	27.5	8.0	27.0	22.5	2.0
EPTH 10X□-R6 ss	10	3/8	24	17	29.0	8.0	28.5	23.5	2.0

EP-fit	EPUA	Union
--------	------	-------



φE (Hose I·D): Refer to Hose dimension sheet on page 46

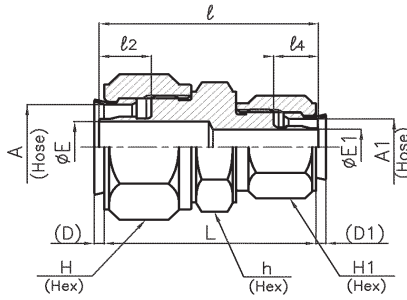
Part No.	A (Hose O.D)	h (HEX)	H (HEX)	ℓ	ℓ1	L	(D)
	mm	mm	mm	mm	mm	mm	mm
EPUA 4X□ ss	4	10	10	30.0	6.0	28.0	1.5
EPUA 6X□ ss	6	12	12	30.0	6.5	28.0	2.0
EPUA 8X□ ss	8	14	14	34.0	7.5	32.0	2.0
EPUA 10X□ ss	10	17	17	35.0	8.0	34.0	2.0
EPUA 12X□ ss	12	19	19	41.0	9.0	40.0	2.0
EPUA 16X□ ss	16	22	24	45.0	10.5	43.0	2.5
EPUA 18X□ ss	18	24	27	46.0	10.5	44.0	2.0
EPUA 19X□ ss	19	27	27	54.0	11.0	50.0	3.2
EPUA 22X□ ss	22	30	32	56.0	12.0	53.0	2.5
EPUA 26X□ ss	26	36	36	70.0	18.0	64.0	3.0



ϕE (Hose I·D): Refer to Hose dimension sheet on page 46

Part No.	A	A1	h	H	H1	L	ϱ	$\varrho 2$	$\varrho 4$	(D)	(D1)
	(Hose O.D)	(Hose O.D)	(HEX)	(HEX)	(HEX)						
	mm	mm	mm	mm	mm	mm	mm	mm	mm	mm	mm
EPUR 6X□-3X□ ss	6	3	12	12	10	27.5	29.5	6.5	6.0	2.0	1.5
EPUR 6X□-4X□ ss	6	4	12	12	10	27.5	29.5	6.5	6.0	2.0	1.5
EPUR 8X□-4X□ ss	8	4	14	14	10	29.0	31.0	7.5	6.0	2.0	1.5
EPUR 8X□-6X□ ss	8	6	14	14	12	30.5	32.5	7.5	6.5	2.0	2.0
EPUR 8X□-8X□ ss	8	8	14	14	14	32.0	34.0	7.5	7.5	2.0	2.0
EPUR 10X□-6X□ ss	10	6	17	17	12	31.5	33.0	8.0	6.5	2.0	2.0
EPUR 10X□-8X□ ss	10	8	17	17	14	33.0	34.5	8.0	7.5	2.0	2.0
EPUR 12X□-8X□ ss	12	8	19	19	14	37.0	38.0	9.0	7.5	2.0	2.0
EPUR 12X□-10X□ ss	12	10	19	19	17	37.5	38.5	9.0	8.0	2.0	2.0
EPUR 12X□-12X□ ss	12	12	19	19	19	40.0	41.0	9.0	9.0	2.0	2.0
EPUR 16X□-4X□ ss	16	4	22	24	10	38.8	40.3	10.5	6.0	2.5	1.5
EPUR 16X□-6X□ ss	16	6	22	24	12	39.0	40.5	10.5	6.5	2.5	2.0
EPUR 16X□-8X□ ss	16	8	22	24	14	39.5	41.0	10.5	7.5	2.5	2.0
EPUR 16X□-10X□ ss	16	10	22	24	17	40.0	41.5	10.5	8.0	2.5	2.0
EPUR 16X□-12X□ ss	16	12	22	24	19	40.0	42.0	10.5	9.0	2.5	2.0
EPUR 18X□-8X□ ss	18	8	24	27	14	39.0	41.0	10.5	7.5	2.0	2.0
EPUR 18X□-10X□ ss	18	10	24	27	17	40.0	41.5	10.5	8.0	2.0	2.0
EPUR 18X□-12X□ ss	18	12	24	27	19	42.5	44.0	10.5	9.0	2.0	2.0
EPUR 18X□-16X□ ss	18	16	24	27	24	43.0	45.5	10.5	10.5	2.0	2.5
EPUR 19X□-10X□ ss	19	10	27	27	17	42.0	44.0	11.0	8.0	3.2	2.0
EPUR 19X□-12X□ ss	19	12	27	27	19	45.2	47.2	11.0	9.0	3.2	2.0
EPUR 19X□-16X□ ss	19	16	27	27	24	46.5	50.0	11.0	10.5	3.2	2.5
EPUR 19X□-18X□ ss	19	18	27	27	27	48.0	51.0	11.0	10.5	3.2	2.0
EPUR 22X□-10X□ ss	22	10	30	32	17	47.8	48.8	12.0	8.0	2.5	2.0
EPUR 22X□-12X□ ss	22	12	30	32	19	47.7	49.7	12.0	9.0	2.5	2.0
EPUR 22X□-16X□ ss	22	16	30	32	24	48.0	51.0	12.0	10.5	2.5	2.5
EPUR 22X□-18X□ ss	22	18	30	32	27	52.5	53.5	12.0	10.5	2.5	2.0

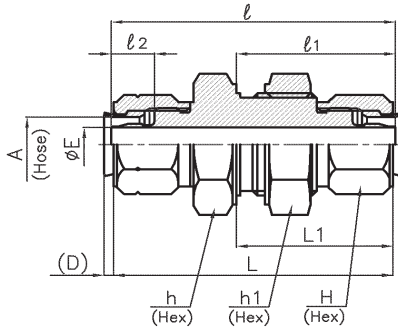
EP-fit	EPUR	METRIC-INCH Reducing Union
--------	------	----------------------------



ϕE (Hose I·D): Refer to Hose dimension sheet on page 46

Part No.	A (Hose O.D)	A1 (Hose O.D)	h (HEX)	H (HEX)	H1 (HEX)	ϱ	$\varrho 1$	$\varrho 2$	L	(D)	(D1)
	mm	mm	mm	mm	mm	mm	mm	mm	mm	mm	mm
EPUR 4X□-6.35X□ ss	4	6.35	14	10	14	30.0	6.0	6.8	28.2	1.5	2.0
EPUR 6X□-6.35X□ ss	6	6.35	14	12	14	30.5	6.5	6.8	28.7	2.0	2.0
EPUR 6X□-9.53X□ ss	6	9.53	17	12	17	33.0	6.5	8.0	31.5	2.0	2.0
EPUR 8X□-6.35X□ ss	8	6.35	14	14	14	32.0	7.5	6.8	30.2	2.0	1.5
EPUR 8X□-9.53X□ ss	8	9.53	17	14	17	35.0	7.5	8.0	33.5	2.0	2.0
EPUR 10X□-9.53X□ ss	10	9.53	17	17	17	35.7	8.0	8.0	34.7	2.0	2.0
EPUR 10X□-12.7X□ ss	10	12.7	22	17	22	38.5	8.0	9.0	37.5	2.0	2.0
EPUR 12X□-9.53X□ ss	12	9.53	19	19	17	38.7	9.0	8.0	37.7	2.0	2.0
EPUR 12X□-12.7X□ ss	12	12.7	22	19	22	41.5	9.0	9.0	40.5	2.0	2.0
EPUR 19X□-19.05X□ ss	19	19.05	27	27	27	53.5	11.0	11.0	49.4	3.2	2.0

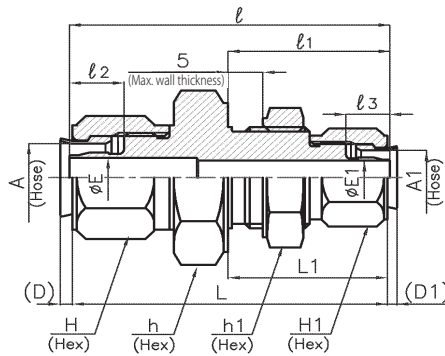
EP-fit	EPSU	Bulkhead Union
--------	------	----------------



ϕE (Hose I·D): Refer to Hose dimension sheet on page 46

Part No.	A (Hose O.D)	h (HEX)	h1 (HEX)	H (HEX)	ϱ	$\varrho 1$	$\varrho 2$	L	L1	(D)	Panel hole diameter
	mm	mm	mm	mm	mm	mm	mm	mm	mm	mm	mm
EPSU 4X□ ss	4	17	17	10	44.8	25.5	6.0	42.8	24.5	1.5	11.5
EPSU 6X□ ss	6	19	19	12	46.3	26.0	6.5	44.3	25.0	2.0	13.1
EPSU 8X□ ss	8	22	22	14	50.0	27.5	7.5	48.0	26.5	2.0	16.3
EPSU 10X□ ss	10	24	24	17	52.0	28.5	8.0	51.0	28.0	2.0	19.4
EPSU 12X□ ss	12	27	27	19	58.5	32.0	9.0	57.5	31.5	2.0	22.6
EPSU 16X□ ss	16	30	30	24	62.5	33.5	10.5	59.5	32.0	2.0	25.8

EP-fit	EPSUR	Bulkhead Reducing Union
--------	-------	-------------------------



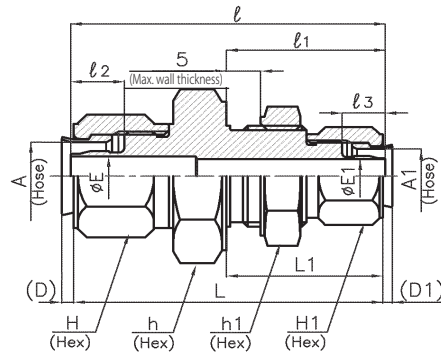
□=Refer to Hose dimension sheet on page 46

Part No.	A	A1	h	h1	H	H1	l	l1	l2	l3	L	L1	(D)	(D1)	Panel hole diameter
	(Hose O.D)	(Hose O.D)	(HEX)	(HEX)	(HEX)	(HEX)	mm	mm	mm	mm	mm	mm	mm	mm	mm
EPSUR 4X□-6X□ ss	4	6	19	19	10	12	45.8	26.0	6.0	6.5	43.8	25.0	1.5	2.0	13.1
EPSUR 6X□-4X□ ss	6	4	17	17	12	10	45.3	25.5	6.5	6.0	43.3	24.5	2.0	1.5	11.5
EPSUR 6X□-8X□ ss	6	8	22	22	12	14	48.3	27.5	6.5	7.5	46.3	26.5	2.0	2.0	16.3
EPSUR 8X□-6X□ ss	8	6	19	19	14	12	48.0	26.0	7.5	6.5	46.0	25.0	2.0	2.0	13.1
EPSUR 8X□-10X□ ss	8	10	24	24	14	17	51.5	28.5	7.5	8.0	49.0	28.0	2.0	2.0	19.4
EPSUR 8X□-12X□ ss	8	12	27	27	14	19	55.5	32.0	7.5	9.0	54.0	31.5	2.0	2.0	22.6
EPSUR 8X□-16X□ ss	8	16	30	30	14	24	58.0	33.5	7.5	10.5	55.5	32.0	2.0	2.0	25.8
EPSUR 10X□-8X□ ss	10	8	22	22	17	14	50.5	27.5	8.0	7.5	49.0	26.5	2.0	2.0	16.3
EPSUR 10X□-12X□ ss	10	12	27	27	17	19	56.0	32.0	8.0	9.0	55.0	31.5	2.0	2.0	22.6
EPSUR 12X□-6X□ ss	12	6	19	19	19	12	51.0	26.0	9.0	6.5	49.5	26.5	2.0	2.0	13.1
EPSUR 12X□-8X□ ss	12	8	22	22	19	14	53.5	27.5	9.0	7.5	52.0	26.5	2.0	2.0	16.3
EPSUR 12X□-10X□ ss	12	10	24	24	19	17	54.5	28.5	9.0	8.0	53.5	28.0	2.0	2.0	19.4
EPSUR 16X□-8X□ ss	16	8	22	22	24	14	58.0	27.5	10.5	7.5	55.5	26.5	2.0	2.0	16.3
EPSUR 16X□-10X□ ss	16	10	24	24	24	17	59.0	28.5	10.5	8.0	57.0	28.0	2.0	2.0	19.4
EPSUR 16X□-12X□ ss	16	12	27	27	24	19	61.0	32.0	10.5	9.0	59.0	31.5	2.0	2.0	22.6
EPSUR 18X□-12X□ ss	18	12	27	27	27	19	64.0	32.0	10.5	9.0	62.5	31.5	2.0	2.0	22.6

EP-fit

EPSUR

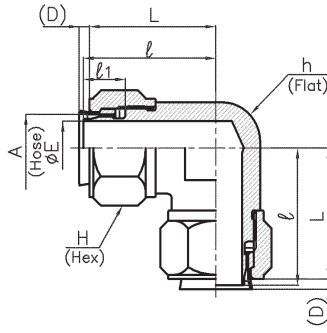
METRIC-INCH Bulkhead Reducing Union



□=Refer to Hose dimension sheet on page 46

Part No.	A	A1	h	h1	H	H1	ℓ	ℓ1	ℓ2	ℓ3	L	L1	(D)	(D1)	Panel hole diameter
	(Hose O.D)	(Hose O.D)	(HEX)	(HEX)	(HEX)	(HEX)	mm	mm	mm	mm	mm	mm	mm	mm	
EPSUR 4X□-6.35X□ ss	4	6.35	22	22	10	14	47.7	26.5	6.0	6.8	45.9	25.7	1.5	2.0	16.3
EPSUR 6X□-6.35X□ ss	6	6.35	22	22	12	14	48.2	26.5	6.5	6.8	46.4	25.7	2.0	2.0	16.3
EPSUR 6X□-9.53X□ ss	6	9.53	24	24	12	17	50.5	28.5	6.5	8.0	49.0	28.0	2.0	2.0	19.4
EPSUR 8X□-6.35X□ ss	8	6.35	22	22	14	14	49.8	26.5	7.5	6.8	48.0	25.7	2.0	2.0	16.3
EPSUR 8X□-9.53X□ ss	8	9.53	24	24	14	17	52.2	28.5	7.5	8.0	50.7	28.0	2.0	2.0	19.4
EPSUR 10X□-9.53X□ ss	10	9.53	24	24	17	17	52.7	28.5	8.0	8.0	51.7	28.0	2.0	2.0	19.4
EPSUR 10X□-12.7X□ ss	10	12.7	27	27	17	22	56.7	32.0	8.0	9.0	55.7	31.5	2.0	2.0	22.6
EPSUR 12X□-9.53X□ ss	12	9.53	24	24	19	17	55.2	28.5	9.0	8.0	54.2	28.0	2.0	2.0	19.4
EPSUR 12X□-12.7X□ ss	12	12.7	27	27	19	22	59.2	32.0	9.0	9.0	58.2	31.5	2.0	2.0	22.6

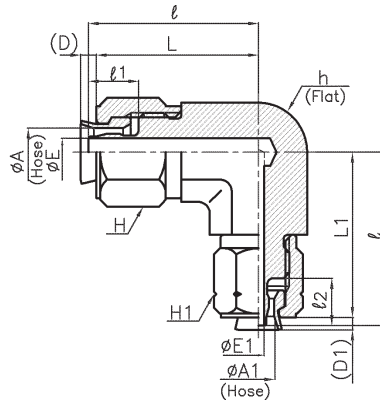
EP-fit	EPLA	Union Elbow
--------	------	-------------



ϕE (Hose I·D): Refer to Hose dimension sheet on page 46

Part No.	A (Hose O.D.)	h (FLAT)	H (HEX)	ℓ	ℓ_1	L	(D)
	mm	mm	mm	mm	mm	mm	mm
EPLA 4X□ ss	4	12	10	21.5	6.0	20.5	1.5
EPLA 6X□ ss	6	12	12	22.0	6.5	21.0	2.0
EPLA 8X□ ss	8	14	14	22.5	7.5	21.5	2.0
EPLA 10X□ ss	10	17	17	24.5	8.0	24.0	2.0
EPLA 12X□ ss	12	22	19	30.5	9.0	30.0	2.0
EPLA 16X□ ss	16	22	24	33.0	10.5	31.5	2.5
EPLA 18X□ ss	18	24	27	32.5	10.5	31.5	2.0
EPLA 19X□ ss	19	27	27	39.0	11.0	37.0	3.2

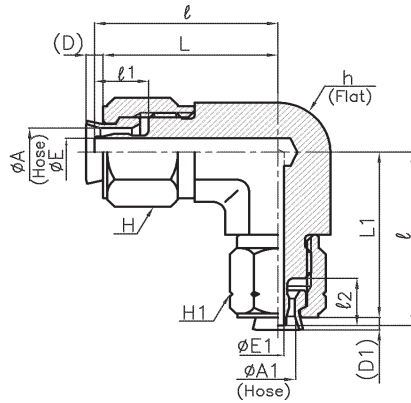
EP-fit	EPLR	Reducing Elbow
--------	------	----------------



ϕE (Hose I·D): Refer to Hose dimension sheet on page 46

Part No.	A (Hose O.D.)	A1 (Hose O.D.)	h (FLAT)	H (HEX)	H1 (HEX)	ℓ	ℓ_1	ℓ_2	L	L1	(D)	(D1)
	mm	mm	mm	mm	mm	mm	mm	mm	mm	mm	mm	mm
EPLR 4X□-4X□ ss	4	4	12	10	10	21.5	6.0	6.0	20.5	20.5	1.5	1.5
EPLR 6X□-4X□ ss	6	4	12	12	10	22.0	6.5	6.0	21.0	21.0	2.0	1.5
EPLR 8X□-6X□ ss	8	6	14	14	12	22.5	7.5	6.5	21.5	21.5	2.0	2.0
EPLR 8X□-8X□ ss	8	8	14	14	14	22.5	7.5	7.5	21.5	21.5	2.0	2.0
EPLR 10X□-8X□ ss	10	8	17	17	14	24.5	8.0	7.5	24.0	23.5	2.0	2.0
EPLR 10X□-10X□ ss	10	10	17	17	17	24.5	8.0	8.0	24.0	24.0	2.0	2.0
EPLR 12X□-8X□ ss	12	8	22	19	14	30.5	9.0	7.5	30.0	29.5	2.0	2.0
EPLR 12X□-10X□ ss	12	10	22	19	17	30.5	9.0	8.0	30.0	30.0	2.0	2.0
EPLR 12X□-12X□ ss	12	12	22	19	19	30.5	9.0	9.0	30.0	30.0	2.0	2.0
EPLR 16X□-12X□ ss	16	12	22	24	19	33.0	10.5	9.0	31.5	32.5	2.5	2.0
EPLR 16X□-16X□ ss	16	16	22	24	24	33.0	10.5	10.5	31.5	31.5	2.5	2.5
EPLR 18X□-12X□ ss	18	12	24	27	19	36.0	10.5	9.0	35.0	35.5	2.0	2.0
EPLR 18X□-16X□ ss	18	16	24	27	24	36.0	10.5	10.5	35.0	34.5	2.0	2.5

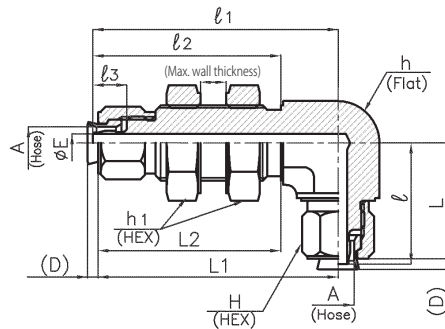
EP-fit	EPLR	METRIC-INCH Reducing Elbow
--------	------	-----------------------------------



φ E (Hose I·D): Refer to Hose dimension sheet on page 46

Part No.	A	A1	h	H	H1	ℓ	ℓ1	ℓ2	L	L1	(D)	(D1)
	(Hose O.D)	(Tube O.D)	(HEX)	(HEX)	(HEX)	mm	mm	mm	mm	mm	mm	mm
EPLR 4X□-6.35X□ ss	4	6.35	14	10	14	22.0	6.0	6.8	21.0	21.2	1.5	1.5
EPLR 6X□-6.35X□ ss	6	6.35	14	12	14	22.0	6.5	6.8	21.0	21.2	2.0	2.0
EPLR 6X□-9.53X□ ss	6	9.53	17	12	17	24.5	6.5	8.0	23.5	24.0	2.0	2.0
EPLR 8X□-6.35X□ ss	8	6.35	14	14	14	22.5	7.5	6.8	21.5	21.7	2.0	2.0
EPLR 8X□-9.53X□ ss	8	9.53	17	14	17	24.5	7.5	8.0	23.5	24.0	2.0	2.0
EPLR 10X□-9.53X□ ss	10	9.53	17	17	17	24.5	8.0	8.0	24.0	24.0	2.0	2.0
EPLR 10X□-12.7X□ ss	10	12.7	22	17	22	30.0	8.0	9.0	29.5	29.5	2.0	2.0
EPLR 12X□-9.53X□ ss	12	9.53	22	19	17	30.5	9.0	8.0	30.0	30.0	2.0	2.0
EPLR 12X□-12.7X□ ss	12	12.7	22	19	22	30.5	9.0	9.0	30.0	30.0	2.0	2.0
EPLR 16X□-12.7X□ ss	16	12.7	22	24	22	33.0	10.5	9.0	31.5	32.5	2.5	2.0

EP-fit	EPSL	Bulkhead Union Elbow
--------	------	-----------------------------



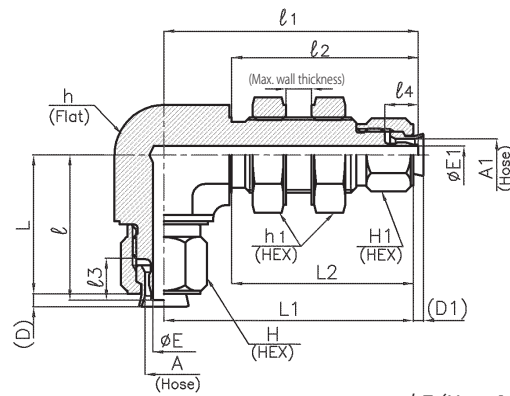
φ E (Hose I·D): Refer to Hose dimension sheet on page 46

Part No.	A	h	h1	H	ℓ	ℓ1	ℓ2	ℓ3	L	L1	L2	(D)	Max. wall thickness	Panel hole diameter
	(Hose O.D)	(FLAT)	(HEX)	(HEX)	mm	mm	mm	mm	mm	mm	mm	mm	mm	mm
EPSL 4X□ ss	4	12.7	17	10	20.5	46.5	36.5	6.0	19.5	45.5	35.5	1.5	9	11.5
EPSL 6X□ ss	6	15.9	19	12	23.0	53.0	40.0	6.5	22.0	52.0	39.0	2.0	12	13.1
EPSL 8X□ ss	8	20.6	22	14	24.5	56.5	41.5	7.5	23.5	55.5	40.5	2.0	12	16.3
EPSL 10X□ ss	10	23.6	24	17	27.5	59.0	43.0	8.0	27.0	58.5	42.5	2.0	12	19.4

EP-fit

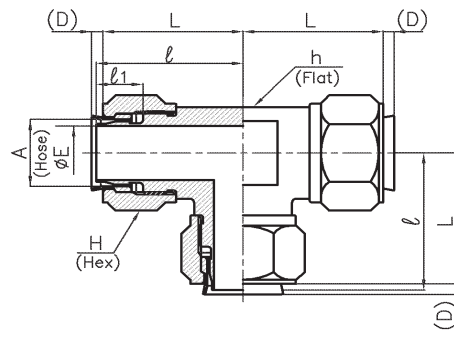
EPSLR

Bulkhead Reducing Union Elbow



ϕE (Hose I·D): Refer to Hose dimension sheet on page 46

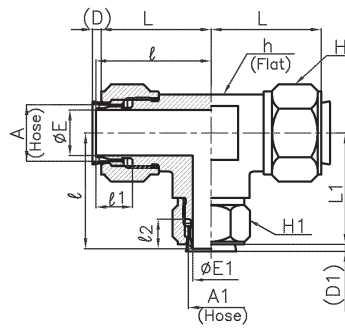
Part No.	A	A1	h	h1	H	H1	\varnothing	$\varnothing 1$	$\varnothing 2$	$\varnothing 3$	$\varnothing 4$	L	L1	L2	(D)	(D1)	Panel hole diameter	Max. wall thickness
	(Hose O.D)	(Hose O.D)	(FLAT)	(HEX)	(HEX)	(HEX)	mm	mm	mm	mm	mm	mm	mm	mm	mm	mm	mm	mm
EPSLR 4X□- 6X□ ss	4	6	15.9	19	10	12	22.0	53.0	40.0	6.0	6.5	21.0	52.0	39.0	1.5	2.0	12	13.1
EPSLR 6X□- 4X□ ss	6	4	15.9	17	12	10	22.5	48.5	36.5	6.5	6.0	21.5	47.5	37.5	2.0	1.5	9	11.5
EPSLR 6X□- 8X□ ss	6	8	20.6	22	12	14	24.0	56.5	41.5	6.5	7.5	23.0	55.5	40.5	2.0	2.0	12	16.3
EPSLR 8X□- 6X□ ss	8	6	15.9	19	14	12	23.5	53.0	40.0	7.5	6.5	22.5	39.0	39.0	2.0	2.0	12	13.1
EPSLR 8X□- 10X□ ss	8	10	23.8	24	14	17	27.0	59.0	43.0	7.5	8.0	26.0	42.5	42.5	2.0	2.0	12	19.4
EPSLR 10X□- 8X□ ss	10	8	23.8	22	17	14	27.5	57.0	41.5	8.0	7.5	27.0	56.0	56.0	2.0	2.0	12	16.3



Ø E (Hose I·D): Refer to Hose dimension sheet on page 46

Part No.	A	h	H	ℓ	ℓ1	L	(D)
	(Hose O.D)	(HEX)	(HEX)	mm	mm	mm	mm
EPTA 4X□ ss	4	12	10	21.5	6.0	20.5	1.5
EPTA 6X□ ss	6	12	12	22.0	6.5	21.0	2.0
EPTA 8X□ ss	8	14	14	22.5	7.5	21.5	2.0
EPTA 10X□ ss	10	17	17	24.5	8.0	24.0	2.0
EPTA 12X□ ss	12	22	19	30.0	9.0	29.5	2.0
EPTA 16X□ ss	16	22	24	33.0	10.5	31.5	2.5
EPTA 18X□ ss	18	24	27	36.0	10.5	35.0	2.0
EPTA 19X□ ss	19	27	27	39.0	11.0	37.0	3.2

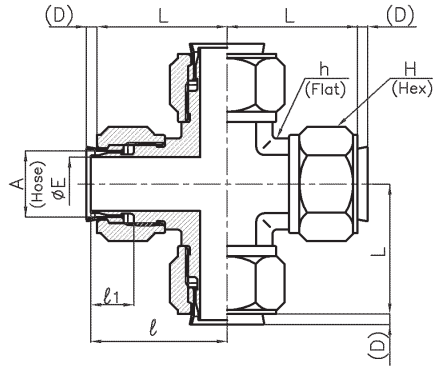
EP-fit	EPTR	Reducing Union Tee
--------	------	--------------------



ϕE (Hose I·D): Refer to Hose dimension sheet on page 46

Part No.	A	A1	h	H	H1	ℓ	$\ell1$	$\ell2$	L	L1	(D)	(D1)	
	(Hose O.D)	(Hose O.D)	(HEX)	(HEX)	(HEX)	mm	mm	mm	mm	mm	mm	mm	
EPTR 4X□- 4X□ ss	4	4	12	10	10	21.5	6.0	6.0	20.5	20.5	1.5	1.5	
EPTR 4X□- 6X□ ss		6	12		12	22.0		6.5	21.0	21.0		2.0	2.0
EPTR 6X□- 4X□ ss	6	4	12	12	10	22.0	6.5	6.0	21.0	21.0	2.0	1.5	
EPTR 6X□- 8X□ ss		8	14		14	22.5		7.5	21.5	21.5		2.0	2.0
EPTR 6X□- 12X□ ss		12	22		19	30.0		9.0	29.0	29.5		2.0	2.0
EPTR 8X□- 6X□ ss	8	6	14	14	12	22.5	7.5	6.5	21.5	21.5	2.0	2.0	
EPTR 8X□- 8X□ ss		8	14		14	22.5		7.5	21.5	21.5		2.0	2.0
EPTR 8X□- 10X□ ss		10	17		17	24.5		8.0	23.5	24.0		2.0	2.0
EPTR 8X□- 12X□ ss		12	22		19	30.0		9.0	29.0	29.5		2.0	2.0
EPTR 10X□- 8X□ ss	10	8	17	17	14	24.5	8.0	7.5	24.0	23.5	2.0	2.0	
EPTR 10X□- 10X□ ss		10	17		17	24.5		8.0	24.0	24.0		2.0	2.0
EPTR 10X□- 12X□ ss		12	22		19	30.0		9.0	29.5	29.5		2.0	2.0
EPTR 12X□- 4X□ ss	12	4	22	19	10	30.0	9.0	6.0	29.5	29.0	2.0	2.0	
EPTR 12X□- 6X□ ss		6	22		12	30.0		6.5	29.5	29.0		2.0	2.0
EPTR 12X□- 8X□ ss		8	22		14	30.0		7.5	29.5	29.0		2.0	2.0
EPTR 12X□- 10X□ ss		10	22		17	30.0		8.0	29.5	29.5		2.0	2.0
EPTR 12X□- 12X□ ss		12	22		19	30.0		9.0	29.5	29.5		2.0	2.0
EPTR 12X□- 16X□ ss		16	22		24	33.0		10.5	32.5	31.5		2.0	2.5
EPTR 16X□- 12X□ ss	16	12	22	24	19	33.0	10.5	9.0	31.5	32.5	2.5	2.0	
EPTR 16X□- 16X□ ss		16	22		24	33.0		10.5	31.5	31.5		2.5	2.5
EPTR 16X□- 18X□ ss		18	24		27	36.0		10.5	34.5	35.0		2.0	2.0
EPTR 18X□- 12X□ ss	18	12	24	27	19	36.0	10.5	9.0	35.0	35.5	2.0	2.0	
EPTR 18X□- 16X□ ss		16	24		24	36.0		10.5	35.0	34.5		2.5	2.5
EPTR 19X□- 18X□ ss	19	18	27	27	27	39.0	11.0	10.5	37.0	38.0	3.2	2.0	

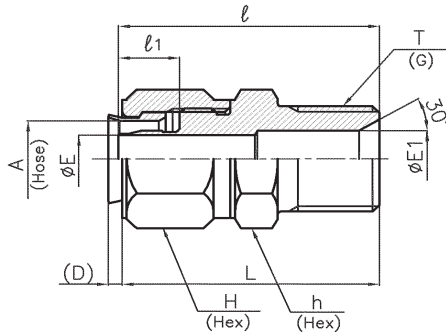
EP-fit	EPXA	Union Cross
--------	------	-------------



φ E (Hose I·D): Refer to Hose dimension sheet on page 46

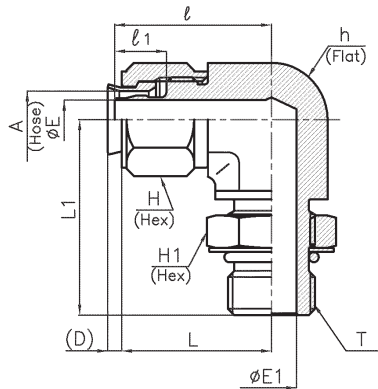
Part No.	A	h	H	ℓ	ℓ1	L	(D)
	(Hose O.D)	(HEX)	(HEX)	mm	mm	mm	mm
EPXA 4X□ ss	4	12	10	21.5	6.0	20.5	1.5
EPXA 6X□ ss	6	12	12	22.0	6.5	21.0	2.0
EPXA 8X□ ss	8	14	14	22.5	7.5	21.5	2.0
EPXA 10X□ ss	10	17	17	24.5	8.0	24.0	2.0

EP-fit	EPUD	Male Connector for 30° Hose Adapter
--------	------	-------------------------------------



φ E (Hose I·D): Refer to Hose dimension sheet on page 46

Part No.	A	T	E1	h	H	ℓ	ℓ1	L	(D)
	(Hose O.D)	G	mm	(HEX)	(HEX)	mm	mm	mm	mm
EPUD 4X□-G2 ss	4	1/8	3.0	12	10	29.3	6.0	28.3	1.5
EPUD 4X□-G4 ss	4	1/4	6.0	14	10	31.3	6.0	30.3	1.5
EPUD 4X□-G6 ss	4	3/8	9.0	19	10	32.8	6.0	31.8	1.5
EPUD 6X□-G2 ss	6	1/8	3.0	12	12	30.0	6.5	29.0	2.0
EPUD 6X□-G4 ss	6	1/4	6.0	14	12	32.0	6.5	31.0	2.0
EPUD 6X□-G6 ss	6	3/8	9.0	19	12	33.3	6.5	32.3	2.0
EPUD 8X□-G4 ss	8	1/4	6.0	14	14	34.0	7.5	33.0	2.0
EPUD 8X□-G6 ss	8	3/8	9.0	19	14	35.3	7.5	34.3	2.0
EPUD 10X□-G4 ss	10	1/4	6.0	17	17	34.7	8.0	34.2	2.0
EPUD 10X□-G6 ss	10	3/8	9.0	19	17	36.0	8.0	35.5	2.0
EPUD 12X□-G6 ss	12	3/8	9.0	19	19	38.5	9.0	38.0	2.0
EPUD 12X□-G8 ss	12	1/2	12.0	22	19	42.0	9.0	41.5	2.0
EPUD 16X□-G8 ss	16	1/2	12.0	22	24	44.5	10.5	43.0	2.5
EPUD 18X□-G8 ss	18	1/2	12.0	24	27	46.3	10.5	45.3	2.0
EPUD 19X□-G8 ss	19	1/2	12.0	27	27	49.5	11.0	47.5	3.2
EPUD 19X□-G12 ss	19	3/4	16.0	27	27	51.0	11.0	49.0	3.2
EPUD 22X□-G8 ss	22	1/2	12.0	30	32	51.5	12.0	50.0	2.5
EPUD 22X□-G12 ss	22	3/4	16.0	30	32	53.0	12.0	51.5	2.5



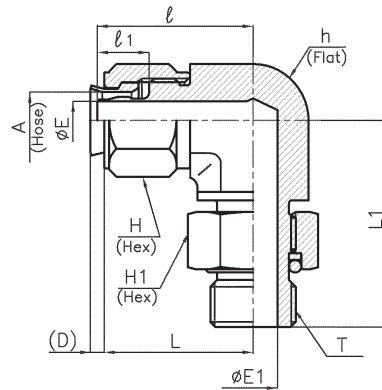
φ E (Hose I·D): Refer to Hose dimension sheet on page 46

Part No.	A (Hose O.D)	T	E1	h (FLAT)	H (HEX)	H1 (HEX)	L	L1	ℓ	ℓ1	ℓ2	(D)	O-ring JIS B 2401
	mm	G	mm	mm	mm	mm	mm	mm	mm	mm	mm	mm	4D-P※
EPLO 4X□-G2 ss	4	1/8	4.0	14.3	10	14	20.5	26.5	21.5	6.0	8.0	1.5	8
EPLO 4X□-G4 ss	4	1/4	6.4	15.9	10	19	22.0	32.5	23.0	6.0	9.0	1.5	11
EPLO 6X□-G2 ss	6	1/8	4.0	14.3	12	14	21.0	26.5	22.0	6.5	8.0	2.0	8
EPLO 6X□-G4 ss	6	1/4	6.4	15.9	12	19	22.5	32.5	23.5	6.5	9.0	2.0	11
EPLO 6X□-G6 ss	6	3/8	7.9	20.6	12	22	25.0	37.0	26.0	6.5	11.5	2.0	14
EPLO 8X□-G2 ss	8	1/8	4.0	14.3	14	14	22.0	26.5	23.0	7.5	8.0	2.0	8
EPLO 8X□-G4 ss	8	1/4	6.4	15.9	14	19	24.0	32.5	25.0	7.5	9.0	2.0	11
EPLO 8X□-G6 ss	8	3/8	7.9	20.6	14	22	26.5	37.0	27.5	7.5	11.5	2.0	14
EPLO 10X□-G2 ss	10	1/8	4.0	20.6	17	14	27.5	31.0	28.0	8.0	8.0	2.0	8
EPLO 10X□-G4 ss	10	1/4	6.4	20.6	17	19	27.5	35.0	28.0	8.0	9.0	2.0	11
EPLO 10X□-G6 ss	10	3/8	7.9	20.6	17	22	27.5	37.0	28.0	8.0	11.5	2.0	14
EPLO 10X□-G8 ss	10	1/2	12.0	27.0	17	27	31.5	47.0	32.0	8.0	15.0	2.0	18
EPLO 12X□-G4 ss	12	1/4	6.4	20.6	19	19	28.5	35.0	29.0	9.0	9.0	2.0	11
EPLO 12X□-G6 ss	12	3/8	7.9	20.6	19	22	28.5	37.0	29.0	9.0	11.5	2.0	14
EPLO 12X□-G8 ss	12	1/2	12.0	27.0	19	27	31.5	47.0	32.0	9.0	15.0	2.0	18
EPLO 16X□-G6 ss	16	3/8	7.9	27.0	24	22	31.0	42.0	32.5	10.5	11.5	2.5	14
EPLO 16X□-G8 ss	16	1/2	12.0	27.0	24	27	31.0	47.0	32.5	10.5	15.0	2.5	18
EPLO 18X□-G8 ss	18	1/2	12.0	27.0	27	27	31.5	47.0	32.5	10.5	15.0	2.0	18

EP-fit

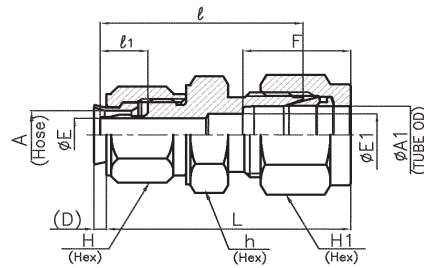
EPLG

Positional Elbow



ϕE (Hose I·D): Refer to Hose dimension sheet on page 46

Part No.	A (Hose O.D)	T	E1	h (FLAT)	H (HEX)	H1 (HEX)	L	L1	l	l1	(D)	O-ring JIS B 2401
	mm	G	mm	mm	mm	mm	mm	mm	mm	mm	mm	4D-P※
EPLG 4X□-G2 ss	4	1/8	4.0	14.3	10	14.29	20.5	28.5	21.5	6.0	1.5	8
EPLG 4X□-G4 ss	4	1/4	6.4	15.9	10	19	22.0	33.5	23.0	6.0	1.5	11
EPLG 6X□-G2 ss	6	1/8	4.0	14.3	12	14.29	21.0	28.5	22.0	6.5	2.0	8
EPLG 6X□-G4 ss	6	1/4	6.4	15.9	12	19	22.5	33.5	23.5	6.5	2.0	11
EPLG 6X□-G6 ss	6	3/8	7.9	20.6	12	22	25.0	37.1	26.0	6.5	2.0	14
EPLG 8X□-G2 ss	8	1/8	4.0	14.3	14	14.29	22.0	28.5	23.0	7.5	2.0	8
EPLG 8X□-G4 ss	8	1/4	6.4	15.9	14	19	24.0	33.5	25.0	7.5	2.0	11
EPLG 8X□-G6 ss	8	3/8	7.9	20.6	14	22	26.5	37.1	27.5	7.5	2.0	14
EPLG 10X□-G2 ss	10	1/8	4.0	20.6	17	14.29	27.5	33.0	28.0	8.0	2.0	8
EPLG 10X□-G4 ss	10	1/4	6.4	20.6	17	19	27.5	37.0	28.0	8.0	2.0	11
EPLG 10X□-G6 ss	10	3/8	7.9	20.6	17	22	27.5	37.1	28.0	8.0	2.0	14
EPLG 10X□-G8 ss	10	1/2	12.0	27.0	17	27	31.5	49.0	32.0	8.0	2.0	18
EPLG 12X□-G4 ss	12	1/4	6.4	20.6	19	19	28.5	37.0	29.0	9.0	2.0	11
EPLG 12X□-G6 ss	12	3/8	7.9	20.6	19	22	28.5	37.1	29.0	9.0	2.0	14
EPLG 12X□-G8 ss	12	1/2	12.0	27.0	19	27	31.5	49.0	32.0	9.0	2.0	18
EPLG 16X□-G6 ss	16	3/8	7.9	27.0	24	22	31.0	44.0	32.5	10.5	2.5	14
EPLG 16X□-G8 ss	16	1/2	12.0	27.0	24	27	31.0	49.0	32.5	10.5	2.5	18
EPLG 18X□-G6 ss	18	3/8	7.9	27.0	27	22	31.5	44.0	32.5	10.5	2.0	14
EPLG 18X□-G8 ss	18	1/2	12.0	27.0	27	27	31.5	49.0	32.5	10.5	2.0	18



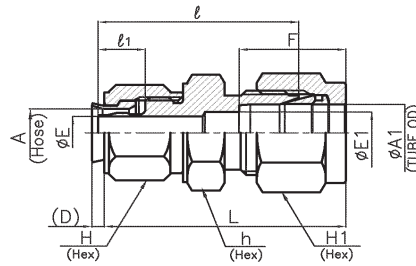
ϕE (Hose I-D): Refer to Hose dimension sheet on page 46

Part No.	A	A1	E1	h (HEX)	H (HEX)	H1 (HEX)	l	l_1	L	(D)	F
	(Hose O.D.)	(Tube O.D.)									
EPUY 4X□-4M ss	4	4	2.7	12	10	13	26.5	6.0	32.3	1.5	13.9
EPUY 4X□-6M ss	4	6	4.8	14	10	14	28.2	6.0	34.7	1.5	15.4
EPUY 6X□-4M ss	6	4	2.7	12	12	13	27.0	6.5	32.8	2.0	13.9
EPUY 6X□-6M ss	6	6	4.8	14	12	14	28.7	6.5	35.2	2.0	15.4
EPUY 6X□-8M ss	6	8	6.4	17	12	17	30.0	6.5	36.5	2.0	16.3
EPUY 8X□-6M ss	8	6	4.8	14	14	14	30.4	7.5	36.9	2.0	15.4
EPUY 8X□-8M ss	8	8	6.4	17	14	17	31.7	7.5	38.2	2.0	16.3
EPUY 8X□-10M ss	8	10	7.9	19	14	19	33.7	7.5	40.5	2.0	17.3
EPUY 10X□-8M ss	10	8	6.4	17	17	17	32.2	8.0	39.2	2.0	16.3
EPUY 10X□-10M ss	10	10	7.9	19	17	19	34.2	8.0	41.5	2.0	17.3
EPUY 10X□-12M ss	10	12	9.5	22	17	22	34.5	8.0	44.2	2.0	22.9
EPUY 12X□-10M ss	12	10	7.9	19	19	19	36.7	9.0	44.0	2.0	17.3
EPUY 12X□-12M ss	12	12	9.5	22	19	22	37.0	9.0	46.7	2.0	22.9
EPUY 12X□-16M ss	12	16	12.7	24	19	27	38.0	9.0	47.7	2.0	24.5
EPUY 16X□-12M ss	16	12	9.5	22	24	22	38.5	10.5	47.2	2.5	22.9
EPUY 16X□-16M ss	16	16	12.7	24	24	27	39.5	10.5	48.2	2.5	24.5
EPUY 18X□-12M ss	18	12	9.5	22	27	22	39.3	10.5	48.5	2.0	22.9
EPUY 18X□-16M ss	18	16	12.7	24	27	27	40.3	10.5	49.5	2.0	24.5

EP-fit

EPUY

Fractional Size BI-Lok to Epfit Union



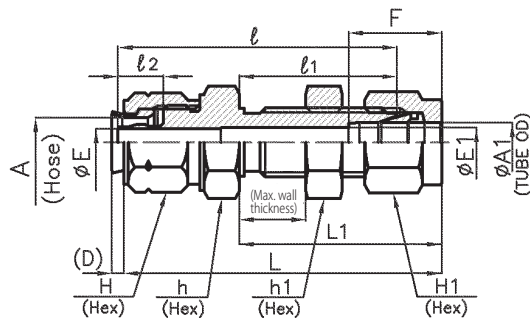
φ E (Hose I·D): Refer to Hose dimension sheet on page 46

Part No.	A (Hose O.D)		A1 (Hose O.D)		E1	h (HEX)	H (HEX)	H1 (HEX)		ℓ	ℓ1	L	(D)	F
	mm	inch	mm	mm				mm	mm					
EPUY 4X□-1 ss	4	1/16	1.59	1.3	14	10	5/16	7.94	24.5	6.0	27.5	1.5	8.9	
EPUY 4X□-4 ss	4	1/4	6.35	4.8	14	10	9/16	14.29	28.0	6.0	34.5	1.5	15.4	
EPUY 6X□-2 ss	6	1/8	3.18	2.3	12	12	7/16	11.11	27.5	6.5	33.2	2.0	13.0	
EPUY 6X□-3 ss	6	3/16	4.76	3.0	12	12	1/2	12.70	28.0	6.5	33.7	2.0	13.8	
EPUY 6X□-4 ss	6	1/4	6.35	4.8	14	12	9/16	14.29	29.0	6.5	35.5	2.0	15.4	
EPUY 6X□-6 ss	6	3/8	9.53	7.1	17	12	11/16	17.46	31.0	6.5	37.5	2.0	17.0	
EPUY 8X□-4 ss	8	1/4	6.35	4.8	14	14	9/16	14.29	31.0	7.5	37.5	2.0	15.4	
EPUY 8X□-6 ss	8	3/8	9.53	7.1	17	14	11/16	17.46	3.0	7.5	39.5	2.0	17.0	
EPUY 8X□-8 ss	8	1/2	12.70	10.4	22	14	7/8	22.23	34.0	7.5	43.3	2.0	23.0	
EPUY 8X□-10 ss	8	5/8	15.88	12.7	24	14	1	25.40	34.5	7.5	43.8	2.0	24.6	
EPUY 10X□-4 ss	10	1/4	6.35	4.8	17	17	9/16	14.29	31.5	8.0	38.5	2.0	15.4	
EPUY 10X□-6 ss	10	3/8	9.53	7.1	17	17	11/16	17.46	33.5	8.0	40.5	2.0	17.0	
EPUY 10X□-8 ss	10	1/2	12.70	10.4	22	17	7/8	22.23	34.5	8.0	44.3	2.0	23.0	
EPUY 12X□-4 ss	12	1/4	6.35	4.8	19	19	9/16	14.29	33.0	9.0	40.0	2.0	15.4	
EPUY 12X□-6 ss	12	3/8	9.53	7.1	19	19	11/16	17.46	35.5	9.0	42.5	2.0	17.0	
EPUY 12X□-8 ss	12	1/2	12.70	10.4	22	19	7/8	22.23	37.0	9.0	46.8	2.0	23.0	
EPUY 12X□-10 ss	12	5/8	15.88	12.7	24	19	1	25.40	37.5	9.0	47.3	2.0	24.6	
EPUY 12X□-14 ss	12	7/8	22.23	18.3	32	19	1-1/4	31.75	41.0	9.0	50.7	2.0	26.1	
EPUY 16X□-6 ss	16	3/8	9.53	7.1	22	24	11/16	17.46	38.0	10.5	44.0	2.5	17.0	
EPUY 16X□-8 ss	16	1/2	12.70	10.4	22	24	7/8	22.23	38.5	10.5	47.3	2.5	23.0	
EPUY 18X□-8 ss	18	1/2	12.70	10.4	24	27	7/8	22.23	38.5	10.5	47.8	2.0	23.0	
EPUY 18X□-10 ss	18	5/8	15.88	12.7	24	27	1	25.40	38.5	10.5	47.8	2.0	24.6	
EPUY 18X□-12 ss	18	3/4	19.05	15.8	27	27	1-1/8	25.58	38.5	10.5	47.8	2.0	24.6	
EPUY 19X□-12 ss	19	3/4	19.05	15.8	27	27	1-1/8	25.58	43.5	11.0	51.8	3.2	24.6	
EPUY 22X□-16 ss	22	1	25.4	22.5	36	32	1-1/2	38.10	47.0	12.0	58.1	2.5	31.6	

EP-fit

EPSUY

Metric Size BI-Lok to Epsit Bulkhead Union



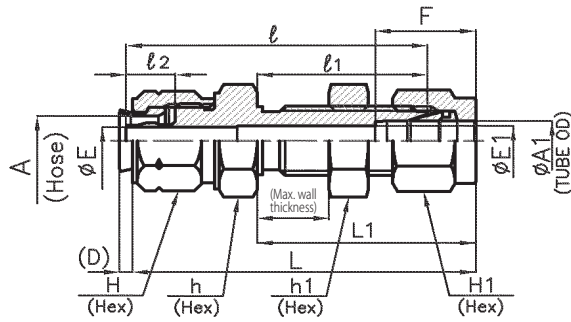
ϕE (Hose I·D): Refer to Hose dimension sheet on page 46

Part No.	A	A1	h	h1	H	H1	l	l_1	l_2	L	L1	(D)	E1	F	Panel hole diameter	Max. wall thickness
	(Hose O.D)	(Tube O.D)	(HEX)	(HEX)	(HEX)	(HEX)	mm	mm	mm	mm	mm	mm	mm	mm		
EPSUY 4X□-4M ss	4	4	14	14	10	13	43.6	25.5	6.0	49.4	32.3	1.5	2.7	13.9	9.9	10.4
EPSUY 6X□-4M ss	6	4	14	14	12	13	44.1	25.5	6.5	49.9	32.3	2.0	2.7	13.9	9.9	10.4
EPSUY 6X□-6M ss	6	6	17	17	12	14	45.5	26.0	6.5	52.0	33.5	2.0	4.8	15.4	11.5	9.7
EPSUY 6X□-8M ss	6	8	19	19	12	17	47.8	28.5	6.5	54.3	36.0	2.0	6.4	16.3	13.1	11.4
EPSUY 8X□-6M ss	8	6	17	17	14	14	47.0	26.0	7.5	53.5	33.5	2.0	4.8	15.4	11.5	9.7
EPSUY 8X□-8M ss	8	8	19	19	14	17	49.5	28.5	7.5	56.0	36.0	2.0	6.4	16.3	13.1	11.4
EPSUY 8X□-10M ss	8	10	22	22	14	19	51.2	29.5	7.5	58.0	37.3	2.0	7.9	17.3	16.3	11.6
EPSUY 10X□-8M ss	10	8	19	19	17	17	50.0	28.5	8.0	57.0	36.0	2.0	6.4	16.3	13.1	11.4
EPSUY 10X□-10M ss	10	10	22	22	17	19	51.7	29.5	8.0	59.0	37.3	2.0	7.9	17.3	16.3	11.6
EPSUY 10X□-12M ss	10	12	24	24	17	22	54.4	32.0	8.0	64.1	42.2	2.0	9.5	22.9	19.4	13.1
EPSUY 12X□-8M ss	12	8	19	19	19	17	52.5	28.5	9.0	59.5	36.0	2.0	6.4	16.3	13.1	11.4
EPSUY 12X□-10M ss	12	10	22	22	19	19	54.2	29.5	9.0	61.5	37.3	2.0	7.9	17.3	16.3	11.6
EPSUY 12X□-12M ss	12	12	24	24	19	22	56.9	32.0	9.0	66.6	42.2	2.0	9.5	22.9	19.4	13.1

EP-fit

EPSUY

Fractional Size BI-Lok to Epfit Bulkhead Union



φ E (Hose I·D): Refer to Hose dimension sheet on page 46

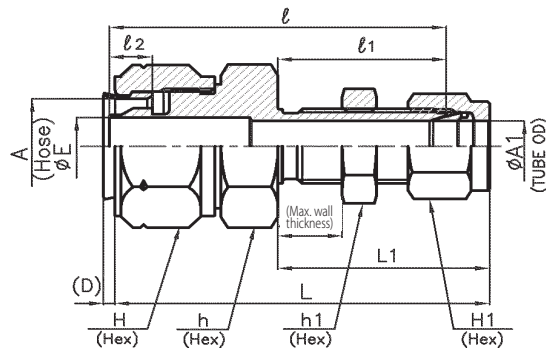
Part No.	A (Hose O.D)		A1 (Tube O.D)		h (HEX)	h1 (HEX)		H (HEX)	H1 (HEX)		ℓ	ℓ1	ℓ2	L	L1	(D)
	mm	inch	mm	mm	mm	inch	mm	mm	inch	mm	mm	mm	mm	mm	mm	mm
EPSUY 4X□-4 ss	4	1/4	6.35	17	5/8	15.88	10	9/16	14.29	44.0	26.0	6.0	50.5	33.5	1.5	
EPSUY 6X□-4 ss	6	1/4	6.35	17	5/8	15.88	12	9/16	14.29	44.5	26.0	6.5	51.0	33.5	2.0	
EPSUY 6X□-6 ss	6	3/8	9.53	19	3/4	19.05	12	11/16	17.46	48.5	29.5	6.5	55.0	37.0	2.0	
EPSUY 8X□-4 ss	8	1/4	6.35	17	5/8	15.88	14	9/16	14.29	46.0	26.0	7.5	52.5	33.5	2.0	
EPSUY 8X□-6 ss	8	3/8	9.53	19	3/4	19.05	14	11/16	17.46	50.2	29.5	7.5	56.7	37.0	2.0	
EPSUY 10X□-4 ss	10	1/4	6.35	17	5/8	15.88	17	9/16	14.29	47.0	26.0	8.0	54.0	33.5	2.0	
EPSUY 10X□-6 ss	10	3/8	9.53	19	3/4	19.05	17	11/16	17.46	50.7	29.5	8.0	57.7	37.0	2.0	
EPSUY 12X□-6 ss	12	3/8	9.53	19	3/4	19.05	19	11/16	17.46	53.2	29.5	9.0	60.2	37.0	2.0	
EPSUY 12X□-8 ss	12	1/2	12.7	24	15/16	23.81	19	7/8	22.23	55.5	32.0	9.0	65.3	42.3	2.0	

A1 TUBE	E1	F	Panel hole diameter	Max. wall thickness
1/4	4.8	15.4	11.5	10.2
3/8	7.1	17.0	14.7	11.2
1/2	10.4	23.0	19.4	12.7

EP-fit

EPSUYZ

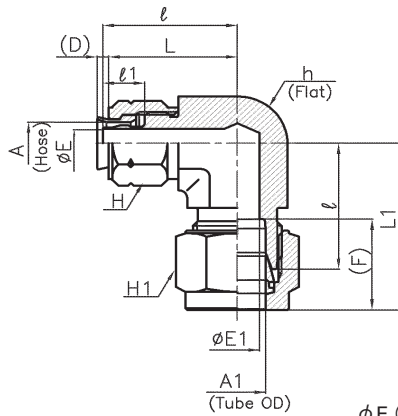
Fractional Size BI-Lok Bored Thru Bulkhead Union



ϕE (Hose I·D): Refer to Hose dimension sheet on page 46

Part No.	A (Hose O.D.)		A1 (Tube O.D.)		h (HEX)		h1 (HEX)		H (HEX)		H1 (HEX)		ϕ	$\phi 1$	$\phi 2$	L	L1	(D)	Panel hole diameter	Max. wall thickness
	mm	in	mm	mm	in	mm	mm	in	mm	mm	mm	mm								
EPSUYZ 18X□- 6 ss	18	3/8	9.53	27	3/4	19.1	27	11/16	17.46	59.0	29.5	10.5	65.5	37.0	2.0	14.7	11.2			

EP-fit	EPLY	Metric Size BI-Lok to Epfit Elbow
--------	------	-----------------------------------



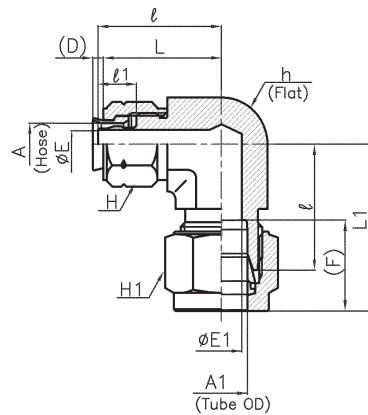
φ E (Hose I·D): Refer to Hose dimension sheet on page 46

Part No.	A (Hose O.D)	A1 (Tube O.D)	E1	h (FLAT)	H (HEX)	H1 (HEX)	l	l1	L	L1	F	(D)
	mm	mm	mm	mm	mm	mm	mm	mm	mm	mm	mm	mm
EPLY 4X□-4M ss	4	4	2.7	12	10	13	21.5	6.0	20.5	28.3	13.9	1.5
EPLY 4X□-6M ss	4	6	4.8	12	10	14	22.0	6.0	21.0	29.5	15.4	1.5
EPLY 6X□-4M ss	6	4	2.7	12	12	13	22.0	6.5	21.0	28.8	13.9	2.0
EPLY 6X□-6M ss	6	6	4.8	12	12	14	22.0	6.5	21.0	29.5	15.4	2.0
EPLY 6X□-8M ss	6	8	6.4	14	12	17	22.5	6.5	21.5	30.0	16.3	2.0
EPLY 8X□-6M ss	8	6	4.8	14	14	14	22.5	7.5	21.5	30.0	15.4	2.0
EPLY 8X□-8M ss	8	8	6.4	14	14	17	22.5	7.5	21.5	30.0	16.3	2.0
EPLY 8X□-10M ss	8	10	7.9	17	14	19	24.0	7.5	23.0	31.8	17.3	2.0
EPLY 8X□-12M ss	8	12	9.5	22	14	22	27.0	7.5	26.0	37.2	22.9	2.0
EPLY 10X□-8M ss	10	8	6.4	17	17	17	24.5	8.0	24.0	32.0	16.3	2.0
EPLY 10X□-10M ss	10	10	7.9	17	17	19	24.5	8.0	24.0	32.3	17.3	2.0
EPLY 10X□-12M ss	10	12	9.5	22	17	22	27.0	8.0	26.5	37.2	22.9	2.0
EPLY 12X□-10M ss	12	10	7.9	22	19	19	30.5	9.0	30.0	38.3	17.3	2.0
EPLY 12X□-12M ss	12	12	9.5	22	19	22	30.5	9.0	30.0	40.7	22.9	2.0
EPLY 12X□-16M ss	12	16	12.7	24	19	27	31.5	9.0	31.0	41.7	24.5	2.0
EPLY 18X□-16M ss	18	16	12.7	24	27	27	32.5	10.5	31.5	42.7	24.5	2.0
EPLY 22X□-10M ss	22	10	7.9	27	32	19	40.0	12.0	38.5	47.8	17.3	2.5

EP-fit

EPLY

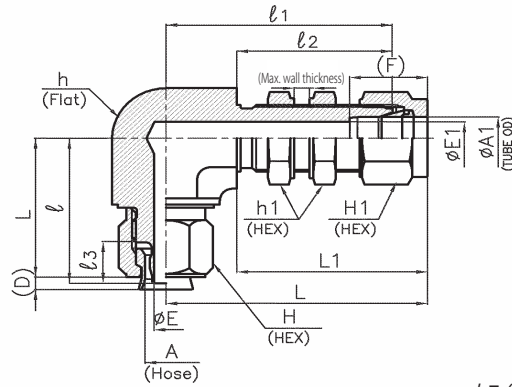
Fractional Size BI-Lok to Epfit Elbow



ϕE (Hose I-D): Refer to Hose dimension sheet on page 46

Part No.	A	A1		E1	h (FLAT)	H (HEX)	H1 (HEX)		l	$l1$	L	L1	F	(D)
	(Hose O.D.)	(Tube O.D.)	(Tube O.D.)				(Tube O.D.)	in						
	mm	inch	mm	mm	mm	mm	in	mm	mm	mm	mm	mm	mm	mm
EPLY 4X□-4 ss	4	1/4	6.35	4.8	12	10	9/16	14.29	21.5	6.0	20.5	29.0	15.4	1.5
EPLY 6X□-4 ss	6	1/4	6.35	4.8	12	12	9/16	14.29	21.5	6.5	20.5	29.0	15.4	2.0
EPLY 6X□-6 ss	6	3/8	9.53	7.1	17	12	11/16	17.46	23.0	6.5	22.0	30.5	17.0	2.0
EPLY 8X□-4 ss	8	1/4	6.35	4.8	14	14	9/16	14.29	22.5	7.5	21.5	30.0	15.4	2.0
EPLY 8X□-6 ss	8	3/8	9.53	7.1	17	14	11/16	17.46	24.0	7.5	23.0	31.5	17.0	2.0
EPLY 8X□-10 ss	8	5/8	15.88	12.7	24	14	1	25.4	27.0	7.5	26.0	37.3	24.6	2.0
EPLY 10X□-4 ss	10	1/4	6.35	4.8	17	17	9/16	14.29	24.5	8.0	24.0	32.0	15.4	2.0
EPLY 10X□-6 ss	10	3/8	9.53	7.1	17	17	11/16	17.46	24.5	8.0	24.0	32.0	17.0	2.0
EPLY 10X□-8 ss	10	1/2	12.7	10.4	22	17	7/8	22.23	27.0	8.0	26.5	37.3	23.0	2.0
EPLY 12X□-4 ss	12	1/4	6.35	4.8	22	19	9/16	14.29	30.5	9.0	30.0	38.0	15.4	2.0
EPLY 12X□-6 ss	12	3/8	9.53	7.1	22	19	11/16	17.46	30.5	9.0	30.0	38.0	17.0	2.0
EPLY 12X□-8 ss	12	1/2	12.7	10.4	22	19	7/8	22.23	30.5	9.0	30.0	40.8	23.0	2.0
EPLY 16X□-12 ss	16	3/4	19.05	15.8	27	24	1-1/8	28.58	33.0	10.5	31.5	43.3	24.6	2.5
EPLY 18X□-6 ss	18	3/8	9.53	7.1	24	27	11/16	17.46	32.5	10.5	31.5	40.0	17.0	2.0
EPLY 18X□-8 ss	18	1/2	12.7	10.4	24	27	7/8	22.23	32.5	10.5	31.5	42.8	23.0	2.0
EPLY 18X□-10 ss	18	5/8	15.88	12.7	24	27	1	25.4	32.5	10.5	31.5	42.8	24.6	2.0
EPLY 18X□-12 ss	18	3/4	19.05	15.8	27	27	1-1/8	28.58	32.5	10.5	31.5	42.8	24.6	2.0
EPLY 19X□-16 ss	19	1	25.4	22.5	36	27	1-1/2	38.1	45.0	11.0	37.0	51.6	31.6	3.2
EPLY 22X□-16 ss	22	1	25.4	22.5	36	32	1-1/2	38.1	46.0	12.0	44.5	58.6	31.6	2.5

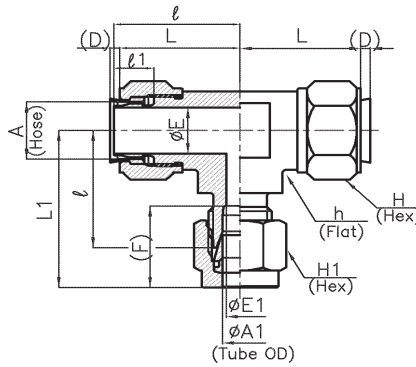
EP-fit	EPSLY	Metric Size BI-Lok to Epfit Bulkhead Elbow
--------	-------	---



φ E (Hose I·D): Refer to Hose dimension sheet on page 46

Part No.	A (Hose O.D)	A1 (Tube O.D)	E1	h (HEX)	h1 (HEX)	H (HEX)	H1 (HEX)	ℓ	ℓ1	ℓ2	ℓ3	L	L1	L2	F	(D)	Max. wall thickness	Panel hole diameter
	mm	mm	mm	mm	mm	mm	mm	mm	mm	mm	mm	mm	mm	mm	mm	mm	mm	mm
EPSLY 4X□-6M ss	4	6	4.8	12.7	17.0	10	14	20.5	47.0	36.0	6.0	19.5	54.5	43.5	15.4	1.5	12.0	11.5
EPSLY 6X□-6M ss	6	6	4.8	15.9	17.0	12	14	23.0	48.1	36.0	6.5	22.0	5.6	43.5	15.4	2.0	12.0	11.5
EPSLY 6X□-8M ss	6	8	6.4	15.9	19.0	12	17	23.0	51.5	40.0	6.5	22.0	59.0	47.5	16.3	2.0	12.0	13.1
EPSLY 8X□-8M ss	8	8	6.4	20.6	19.0	14	17	24.5	51.5	40.0	7.0	23.5	59.0	47.5	16.3	2.0	12.0	13.1
EPSLY 10X□-10M ss	10	10	7.9	23.8	22.0	17	19	27.5	57.5	43.2	8.0	27.0	65.3	51.0	15.4	2.0	12.0	16.3

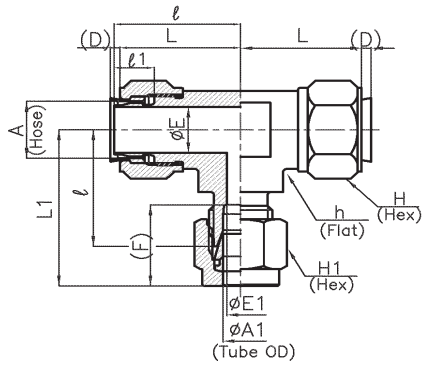
EP-fit	EPTY	Metric Size BI-Lok to Epfit Tee
--------	------	--



φ E (Hose I·D): Refer to Hose dimension sheet on page 46

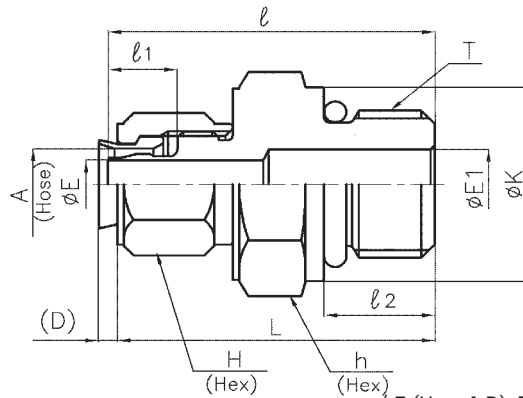
Part No.	A (Hose O.D)	A1 (Tube O.D)	E1	h (FLAT)	H (HEX)	H1 (HEX)	ℓ	ℓ1	L	L1	F	(D)
	mm	mm	mm	mm	mm	mm	mm	mm	mm	mm	mm	mm
EPTY 4X□-4M ss	4	4	2.7	12	10	13	21.5	6.0	20.5	28.3	13.9	1.5
EPTY 4X□-6M ss	4	6	4.8	12	10	14	22.0	6.0	21.0	29.5	15.4	1.5
EPTY 6X□-4M ss	6	4	2.7	12	12	13	22.0	6.5	21.0	28.8	13.9	2.0
EPTY 6X□-6M ss	6	6	4.8	12	12	14	22.0	6.5	21.0	29.5	15.4	2.0
EPTY 6X□-8M ss	6	8	6.4	14	12	17	22.5	6.5	21.5	30.0	16.3	2.0
EPTY 8X□-6M ss	8	6	4.8	14	14	14	22.5	7.5	21.5	30.0	15.4	2.0
EPTY 8X□-8M ss	8	8	6.4	14	14	17	22.5	7.5	21.5	30.0	16.3	2.0
EPTY 8X□-10M ss	8	10	7.9	17	14	19	24.0	7.5	23.0	31.8	17.3	2.0
EPTY 10X□-8M ss	10	8	6.4	17	17	17	24.5	8.0	24.0	32.0	16.3	2.0
EPTY 10X□-10M ss	10	10	7.9	17	17	19	24.5	8.0	24.0	32.3	17.3	2.0
EPTY 12X□-8M ss	12	8	6.4	22	19	17	30.0	9.0	29.5	37.5	16.3	2.0
EPTY 12X□-10M ss	12	10	7.9	22	19	19	30.0	9.0	29.5	37.8	17.3	2.0
EPTY 12X□-12M ss	12	12	9.5	22	19	22	30.0	9.0	29.5	40.2	22.9	2.0

EP-fit	EPTY	Fractional Size BI-Lok to Epfit Tee
--------	------	-------------------------------------



ϕE (Hose I.D): Refer to Hose dimension sheet on page 46

Part No.	A	A1	E1	h (FLAT)	H (HEX)	H1 (HEX)		ϱ	$\varrho 1$	L	L1	F	(D)	
	(Hose O.D)	(Tube O.D)				in	mm							
	mm	inch	mm	mm	mm	in	mm	mm	mm	mm	mm	mm	mm	
EPTY 12X□-6 ss	12	3/8	9.53	7.1	22	19	11/16	17.46	30.0	9.0	29.5	37.5	17.0	2.0
EPTY 12X□-8 ss	12	1/2	12.7	10.4	22	19	7/8	22.23	30.0	9.0	29.5	40.3	23.0	2.0



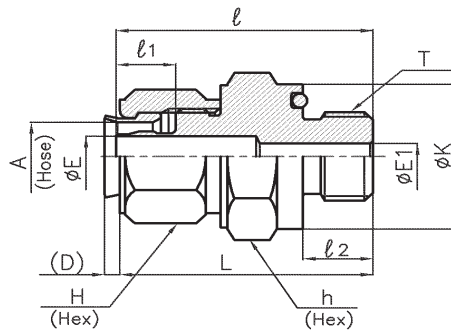
φE (Hose I·D): Refer to Hose dimension sheet on page 46

Part No.	A (Hose O.D.)	T	E1	h (HEX)	H (HEX)	L	l	l1	l2	K	O-ring (JISB2401)	(D)
	mm	G	mm	mm	mm	mm	mm	mm	mm	mm	1B-P※	mm
EPCU 4X□-G2 ss	4	1/8	4.0	14	10	26.0	27.0	6.0	8.0	14.0	8	1.5
EPCU 4X□-G4 ss	4	1/4	6.4	19	10	30.0	31.0	6.0	12.0	19.0	11	1.5
EPCU 4X□-G6 ss	4	3/8	7.9	22	10	30.5	31.5	6.0	12.0	22.0	14	1.5
EPCU 6X□-G2 ss	6	1/8	4.0	14	12	26.6	27.6	6.5	8.0	14.0	8	2.0
EPCU 6X□-G4 ss	6	1/4	6.4	19	12	30.6	31.6	6.5	12.0	19.0	11	2.0
EPCU 6X□-G6 ss	6	3/8	7.9	22	12	31.9	32.9	6.5	12.0	22.0	14	2.0
EPCU 6X□-G8 ss	6	1/2	12.0	27	12	37.9	38.9	6.5	14.0	27.0	18	2.0
EPCU 8X□-G2 ss	8	1/8	4.0	14	14	28.3	29.3	7.5	8.0	14.0	8	2.0
EPCU 8X□-G4 ss	8	1/4	6.4	19	14	32.3	33.3	7.5	12.0	19.0	11	2.0
EPCU 8X□-G6 ss	8	3/8	7.9	22	14	33.0	34.0	7.5	12.0	22.0	14	2.0
EPCU 8X□-G8 ss	8	1/2	12.0	27	14	39.6	40.6	7.5	14.0	27.0	18	2.0
EPCU 10X□-G4 ss	10	1/4	6.4	19	17	33.4	33.9	8.0	12.0	19.0	11	2.0
EPCU 10X□-G6 ss	10	3/8	7.9	22	17	34.0	34.5	8.0	12.0	22.0	14	2.0
EPCU 10X□-G8 ss	10	1/2	12.0	27	17	40.7	41.2	8.0	14.0	27.0	18	2.0
EPCU 12X□-G2 ss	12	1/8	4.0	22	19	32.0	32.5	9.0	8.0	14.0	8	2.0
EPCU 12X□-G4 ss	12	1/4	6.4	22	19	36.0	36.5	9.0	12.0	19.0	11	2.0
EPCU 12X□-G6 ss	12	3/8	7.9	22	19	37.0	37.5	9.0	12.0	22.0	14	2.0
EPCU 12X□-G8 ss	12	1/2	12.0	27	19	43.0	43.5	9.0	14.0	27.0	18	2.0
EPCU 12X□-G12 ss	12	3/4	15.8	32	19	46.7	47.2	9.0	16.0	32.0	24	2.0
EPCU 16X□-G6 ss	16	3/8	7.9	22	24	38.3	39.8	10.5	12.0	22.0	14	2.5
EPCU 16X□-G8 ss	16	1/2	12.0	27	24	43.4	44.9	10.5	14.0	27.0	18	2.5
EPCU 16X□-G12 ss	16	3/4	15.8	32	24	47.2	48.7	10.5	16.0	32.0	24	2.5
EPCU 16X□-G16 ss	16	1	21.0	41	24	50.0	51.5	10.5	18.0	41.0	29	2.5
EPCU 18X□-G8 ss	18	1/2	12.0	27	27	45.3	46.3	10.5	14.0	27.0	18	2.0
EPCU 19X□-G8 ss	19	1/2	12.0	27	27	48.2	50.2	11.0	14.0	27.0	18	3.2
EPCU 19X□-G12 ss	19	3/4	15.8	32	27	50.5	52.5	11.0	16.0	32.0	24	3.2
EPCU 19X□-G16 ss	19	1	21.0	41	27	53.3	55.3	11.0	18.0	41.0	29	3.2
EPCU 22X□-G8 ss	22	1/2	12.0	30	32	52.0	53.0	12.0	14.0	27.0	18	2.5

EP-fit

EPCO

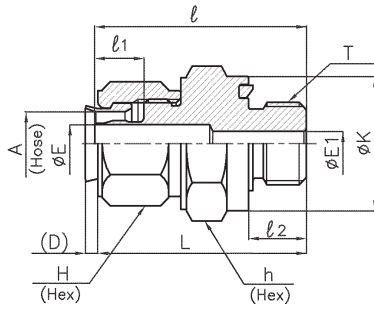
O-ring seal Male Connector



φ E (Hose I·D): Refer to Hose dimension sheet on page 46

Part No.	A (Hose O.D.)	T	E1	h (HEX)	H (HEX)	L	l	l1	l2	K	O-ring JIS B 2401	(D)
	mm	G	mm	mm	mm	mm	mm	mm	mm	m	1B-P※	mm
EPCO 4X□-G2 ss	4	1/8	4.0	22	10	28.5	29.5	6.0	8.0	21.5	11	1.5
EPCO 4X□-G4 ss	4	1/4	6.4	24	10	32.5	33.5	6.0	12.0	23.5	15	1.5
EPCO 4X□-G6 ss	4	3/8	7.9	27	10	33.5	34.5	6.0	12.0	26.5	18	1.5
EPCO 6X□-G2 ss	6	1/8	4.0	22	12	29.4	30.4	6.5	8.0	21.5	11	2.0
EPCO 6X□-G4 ss	6	1/4	6.4	24	12	33.4	34.4	6.5	12.0	23.5	15	2.0
EPCO 6X□-G6 ss	6	3/8	7.9	27	12	34.4	35.4	6.5	12.0	26.5	18	2.0
EPCO 6X□-G8 ss	6	1/2	12.0	32	12	38.8	39.8	6.5	14.0	31.5	22	2.0
EPCO 8X□-G2 ss	8	1/8	4.0	22	14	31.3	32.3	7.5	8.0	21.5	11	2.0
EPCO 8X□-G4 ss	8	1/4	6.4	24	14	35.3	36.3	7.5	12.0	23.5	15	2.0
EPCO 8X□-G6 ss	8	3/8	7.9	27	14	36.3	37.3	7.5	12.0	26.5	18	2.0
EPCO 8X□-G8 ss	8	1/2	12.0	32	14	40.3	41.3	7.5	14.0	31.5	22	2.0
EPCO 10X□-G4 ss	10	1/4	6.4	24	17	36.8	37.3	8.0	12.0	23.5	15	2.0
EPCO 10X□-G6 ss	10	3/8	7.9	27	17	37.8	38.3	8.0	12.0	26.5	18	2.0
EPCO 10X□-G8 ss	10	1/2	12.0	32	17	42.8	43.3	8.0	14.0	31.5	22	2.0
EPCO 12X□-G4 ss	12	1/4	6.4	24	19	39.0	39.5	9.0	12.0	23.5	15	2.0
EPCO 12X□-G6 ss	12	3/8	7.9	27	19	40.0	40.5	9.0	12.0	26.5	18	2.0
EPCO 12X□-G8 ss	12	1/2	12.0	32	19	45.0	45.5	9.0	14.0	31.5	22	2.0
EPCO 16X□-G6 ss	16	3/8	7.9	27	24	40.5	42.0	10.5	12.0	26.5	18	2.5
EPCO 16X□-G8 ss	16	1/2	12.0	32	24	45.5	47.0	10.5	14.0	31.5	22	2.5
EPCO 16X□-G12 ss	16	3/4	16.0	41	24	49.5	51.0	10.5	18.0	40.5	28	2.5
EPCO 18X□-G6 ss	18	3/8	7.9	27	27	42.0	43.0	10.5	12.0	26.5	18	2.0
EPCO 18X□-G8 ss	18	1/2	12.0	32	27	46.8	47.8	10.5	14.0	31.5	22	2.0
EPCO 19X□-G8 ss	19	1/2	12.0	32	27	49.8	51.8	11.0	14.0	31.5	22	3.2
EPCO 19X□-G12 ss	19	3/4	16.0	41	27	53.8	55.8	11.0	18.0	40.5	28	3.2
EPCO 22X□-G8 ss	22	1/2	12.0	32	32	52.0	53.0	12.0	14.0	31.5	22	2.5

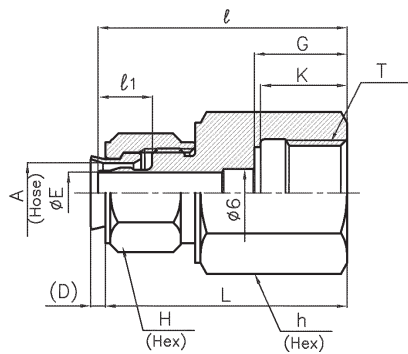
EP-fit	EPEO	Elastomer Seal Connector
--------	------	--------------------------



φ E (Hose I·D): Refer to Hose dimension sheet on page 46

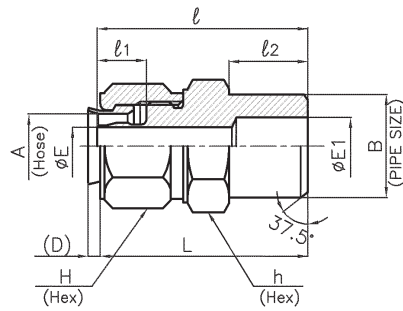
Part No.	A (Hose O.D.)	T	E1	h (HEX)	H (HEX)	L	φ	φ1	φ2	(D)	Elastomeric seal
	mm	G	mm	mm	mm	mm	mm	mm	mm	mm	
EPEO 6X□-G6 ss	6	3/8	7.9	24	12	33.0	34.0	6.5	12	2.0	KP-J-06
EPEO 8X□-G6 ss	8	3/8	7.9	24	14	35.0	36.0	7.5	12	2.0	KP-J-06
EPEO 12X□-G6 ss	12	3/8	7.9	24	19	39.5	40.0	9.0	12	2.0	KP-J-06
EPEO 18X□-G6 ss	18	3/8	7.9	27	27	42.5	43.5	10.5	14	2.0	KP-J-06

EP-fit	EPGA	Gauge Connector
--------	------	-----------------



φ E (Hose I·D): Refer to Hose dimension sheet on page 46

Part No.	A (Hose O.D.)	T	h (HEX)	H (HEX)	φ	φ1	G	K	L	D
	mm	G	mm	mm	mm	mm	mm	mm	mm	mm
EPGA 6X□-G4 ss	6	1/4	19.0	12.0	33.5	6.5	13.0	12.0	32.5	2.0



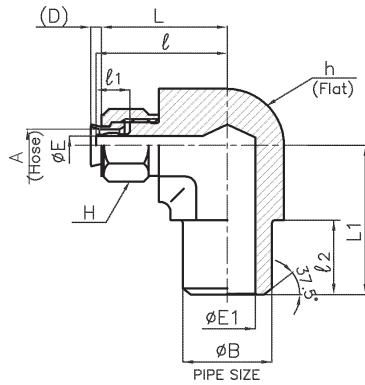
ϕE (Hose I·D): Refer to Hose dimension sheet on page 46

Part No.	A	B		E1	h	H	ϱ	$\varrho 1$	$\varrho 2$	L	(D)
	(Hose O.D)	(PIPE SIZE)		mm	(HEX)	(HEX)	mm	mm	mm	mm	mm
	mm	inch	mm	mm	mm	mm	mm	mm	mm	mm	mm
EPCB 4X□-2 ss	4	1/8B	10.3	5.5	12	10	26.0	6.0	9.7	25.0	1.5
EPCB 4X□-4 ss	4	1/4B	13.7	7.7	14	10	30.5	6.0	14.2	29.5	1.5
EPCB 6X□-2 ss	6	1/8B	10.3	5.5	12	12	27.5	6.5	9.7	26.5	2.0
EPCB 6X□-4 ss	6	1/4B	13.7	7.7	14	12	32.4	6.5	14.2	31.4	2.0
EPCB 6X□-6 ss	6	3/8B	17.0	10.7	19	12	33.9	6.5	14.2	32.4	2.0
EPCB 8X□-4 ss	8	1/4B	13.7	7.7	14	14	35.0	7.5	14.2	34.0	2.0
EPCB 8X□-6 ss	8	3/8B	17.0	10.7	19	14	36.5	7.5	14.2	35.5	2.0
EPCB 10X□-4 ss	10	1/4B	13.7	7.7	17	17	36.0	8.0	14.2	35.5	2.0
EPCB 10X□-6 ss	10	3/8B	17.0	10.7	19	17	37.5	8.0	14.2	37.0	2.0
EPCB 12X□-6 ss	12	3/8B	17.0	10.7	19	19	38.5	9.0	14.2	38.0	2.0
EPCB 12X□-8 ss	12	1/2B	21.3	13.9	22	19	43.0	9.0	19.1	42.5	2.0
EPCB 16X□-8 ss	16	1/2B	21.3	13.9	22	24	45.0	10.5	19.1	43.5	2.5
EPCB 16X□-12 ss	16	3/4B	26.7	18.8	27	24	46.5	10.5	19.1	45.0	2.5
EPCB 18X□-8 ss	18	1/2B	21.3	13.9	24	27	46.0	10.5	19.1	45.0	2.0

EP-fit

EPLB

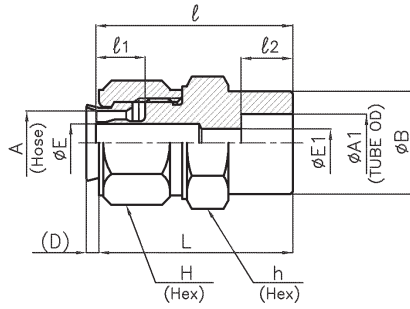
Male Pipe Weld Elbow



ϕE (Hose I·D): Refer to Hose dimension sheet on page 46

Part No.	A (Hose O.D)	B (PIPE SIZE)		E1	h (FLAT)	H (HEX)	ϱ	$\varrho 1$	$\varrho 2$	L	L1	(D)
	mm	inch	mm									
EPLB 4X□-2 ss	4	1/8B	10.3	5.5	12	10	20.0	6.0	9.7	19.0	19.0	1.5
EPLB 4X□-4 ss	4	1/4B	13.7	7.7	17	10	22.5	6.0	12.0	21.5	24.0	1.5
EPLB 6X□-4 ss	6	1/4B	13.7	7.7	17	12	23.5	6.5	12.0	22.5	24.0	2.0
EPLB 6X□-6 ss	6	3/8B	17.0	10.7	22	12	25.0	6.5	14.2	24.0	28.5	2.0
EPLB 8X□-4 ss	8	1/4B	13.7	7.7	17	14	24.0	7.5	12.0	23.0	24.0	2.0
EPLB 8X□-6 ss	8	3/8B	17.0	10.7	22	14	30.5	7.5	14.2	29.5	28.5	2.0
EPLB 10X□-4 ss	10	1/4B	13.7	7.7	17	17	24.5	8.0	12.0	24.0	24.0	2.0
EPLB 10X□-6 ss	10	3/8B	17.0	10.7	22	17	30.5	8.0	14.2	30.0	28.5	2.0
EPLB 12X□-4 ss	12	1/4B	13.7	7.7	22	19	30.5	9.0	12.0	30.0	27.0	2.0
EPLB 12X□-6 ss	12	3/8B	17.0	10.7	22	19	30.5	9.0	14.2	30.0	28.5	2.0
EPLB 16X□-8 ss	16	1/2B	21.3	13.9	22	24	33.0	10.5	19.1	31.5	34.0	2.0
EPLB 16X□-12 ss	16	3/4B	26.7	18.9	27	24	32.5	10.5	19.1	31.0	35.5	2.0

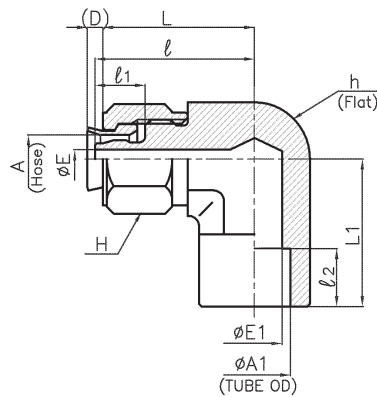
EP-fit	EPCW	Metric Size Tube Socket Weld Connector
--------	------	--



ϕE (Hose I·D): Refer to Hose dimension sheet on page 46

Part No.	A (Hose O.D.)	A1 (Tube O.D.)	E1	B	h (HEX)	H (HEX)	l	l_1	l_2	L	(D)
	mm	mm	mm	mm	mm	mm	mm	mm	mm	mm	mm
EPCW 4X□-4M ss	4	4	2.7	9.0	12	10	25.0	6.0	7.0	24.0	1.5
EPCW 6X□-6M ss	6	6	4.8	12.0	14	12	29.0	6.5	8.0	28.0	2.0
EPCW 8X□-8M ss	8	8	6.4	15.0	17	14	31.5	7.5	9.0	31.5	2.0
EPCW 10X□-10M ss	10	10	7.9	17.0	19	17	33.5	8.0	10.0	33.0	2.0
EPCW 12X□-12M ss	12	12	9.5	20.0	22	19	37.0	9.0	12.0	36.5	2.0

EP-fit	EPLW	Metric Size Tube Socket Weld Elbow
--------	------	------------------------------------



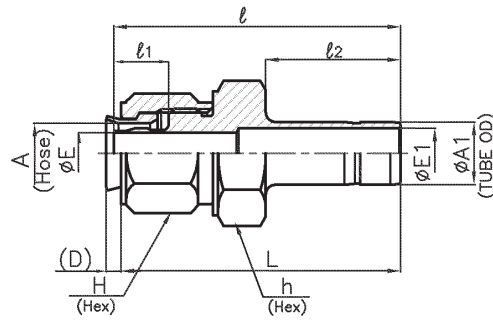
ϕE (Hose I·D): Refer to Hose dimension sheet on page 46

Part No.	A (Hose O.D.)	A1 (Tube O.D.)	E1	h (HEX)	H (HEX)	l	l_1	l_2	L	L1	(D)
	mm	mm	mm	mm	mm	mm	mm	mm	mm	mm	mm
EPLW 4X□-4M ss	4	4	2.7	12	10	20.0	6.0	7.0	19.0	20.0	1.5
EPLW 6X□-6M ss	6	6	4.8	14	12	22.5	6.5	8.0	21.5	22.4	2.0
EPLW 8X□-8M ss	8	8	6.4	17	14	23.5	7.5	9.0	22.5	23.5	2.0
EPLW 10X□-10M ss	10	10	7.9	17	17	24.0	8.0	10.0	23.5	24.0	2.0
EPLW 12X□-12M ss	12	12	9.5	19	19	30.0	9.0	12.0	29.5	30.0	2.0

EP-fit

EPRE

Metric Size Reducer for BI-Lok



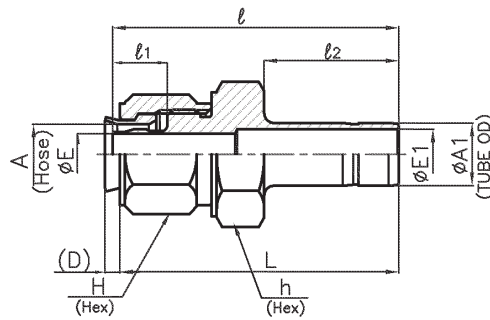
ϕE (Hose I·D): Refer to Hose dimension sheet on page 46

Part No.	A	A1	E1	h (HEX)	H (HEX)	ℓ	ℓ_1	ℓ_2	L	(D)
	(Hose O.D)	(Tube O.D)								
EPRE 4X□-4M ss	4	4	2.5	10	10	32.5	6.0	15.0	31.5	1.5
EPRE 4X□-6M ss	4	6	4.0	10	10	34.0	6.0	16.5	33.0	1.5
EPRE 6X□-4M ss	6	4	2.5	12	12	33.0	6.5	15.0	32.0	2.0
EPRE 6X□-6M ss	6	6	4.0	12	12	35.0	6.5	16.5	34.0	2.0
EPRE 6X□-8M ss	6	8	6.4	12	12	36.0	6.5	17.2	35.0	2.0
EPRE 8X□-6M ss	8	6	4.0	14	14	37.0	7.5	16.5	36.0	2.0
EPRE 8X□-8M ss	8	8	6.4	14	14	38.0	7.5	17.2	37.0	2.0
EPRE 8X□-10M ss	8	10	8.0	14	14	39.2	7.5	18.0	38.2	2.0
EPRE 10X□-8M ss	10	8	6.4	17	17	38.5	8.0	17.2	38.0	2.0
EPRE 10X□-10M ss	10	10	8.0	17	17	39.7	8.0	18.0	39.2	2.0
EPRE 10X□-12M ss	10	12	9.5	17	17	48.0	8.0	23.5	47.5	2.0
EPRE 12X□-10M ss	12	10	8.0	19	19	42.2	9.0	18.0	41.7	2.0
EPRE 12X□-12M ss	12	12	9.5	19	19	48.0	9.0	23.5	47.5	2.0
EPRE 12X□-16M ss	12	16	13.0	22	19	50.2	9.0	25.5	49.7	2.0
EPRE 16X□-12M ss	16	12	9.5	22	24	51.0	10.5	23.5	49.5	2.5
EPRE 16X□-16M ss	16	16	13.0	22	24	53.3	10.5	25.5	51.8	2.5
EPRE 16X□-18M ss	16	18	14.5	22	24	53.8	10.5	25.5	54.5	2.5
EPRE 18X□-12M ss	18	12	9.5	24	27	53.0	10.5	23.5	52.0	2.0
EPRE 18X□-16M ss	18	16	13.0	24	27	55.0	10.5	25.5	54.0	2.0
EPRE 18X□-18M ss	18	18	14.5	24	27	55.5	10.5	25.5	54.5	2.0
EPRE 18X□-20M ss	18	20	16.0	24	27	56.0	10.5	25.5	55.0	2.0
EPRE 19X□-16M ss	19	16	13.0	27	27	58.3	11.0	25.5	56.3	3.2
EPRE 19X□-18M ss	19	18	14.5	27	27	58.8	11.0	25.5	56.8	3.2
EPRE 19X□-20M ss	19	20	16.0	27	27	59.3	11.0	25.5	57.3	3.2

EP-fit

EPRE

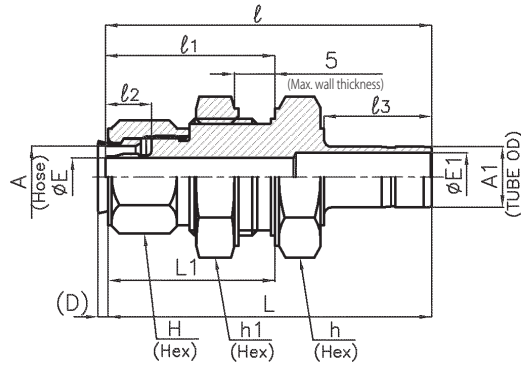
Fractional Size Reducer for BI-Lok



ϕE (Hose I-D): Refer to Hose dimension sheet on page 46

Part No.	A (Hose O.D)	A1 (Tube O.D)		E1	h (HEX)	H (HEX)	ϕ	$\phi 1$	$\phi 2$	L	(D)
	mm	in	mm	mm	mm	mm	mm	mm	mm	mm	mm
EPRE 4X□-4 ss	4	1/4	6.35	4.8	12	10	33.0	6.0	16.5	32.0	1.5
EPRE 4X□-6 ss	4	3/8	9.53	7.1	12	10	34.5	6.0	18.0	33.5	1.5
EPRE 6X□-4 ss	6	1/4	6.35	4.8	12	12	34.0	6.5	16.5	33.0	2.0
EPRE 6X□-6 ss	6	3/8	9.53	7.1	12	12	35.5	6.5	18.0	34.5	2.0
EPRE 6X□-8 ss	6	1/2	12.7	9.9	14	12	41.5	6.5	23.5	40.5	2.0
EPRE 8X□-4 ss	8	1/4	6.35	4.8	14	14	36.3	7.5	16.5	35.3	2.0
EPRE 8X□-6 ss	8	3/8	9.53	7.1	14	14	37.8	7.5	18.0	36.8	2.0
EPRE 8X□-8 ss	8	1/2	12.7	9.9	14	14	43.8	7.5	23.5	42.8	2.0
EPRE 10X□-4 ss	10	1/4	6.35	4.8	17	17	38.0	8.0	16.5	37.5	2.0
EPRE 10X□-6 ss	10	3/8	9.53	7.1	17	17	39.5	8.0	18.0	39.0	2.0
EPRE 10X□-8 ss	10	1/2	12.7	9.9	17	17	45.5	8.0	23.5	45.0	2.0
EPRE 12X□-4 ss	12	1/4	6.35	4.8	19	19	40.8	9.0	16.5	40.3	2.0
EPRE 12X□-6 ss	12	3/8	9.53	7.1	19	19	42.3	9.0	18.0	41.8	2.0
EPRE 12X□-8 ss	12	1/2	12.7	9.9	19	19	48.3	9.0	23.5	47.8	2.0
EPRE 16X□-6 ss	16	3/8	9.53	7.1	22	24	44.0	10.5	18.0	42.5	2.5
EPRE 16X□-8 ss	16	1/2	12.7	9.9	22	24	49.5	10.5	23.5	48.0	2.5
EPRE 16X□-12 ss	16	3/4	19.05	15.0	22	24	51.2	10.5	25.2	49.7	2.5
EPRE 16X□-16 ss	16	1	25.40	20.1	27	24	59.5	10.5	32.5	58.0	2.5
EPRE 19X□-12 ss	19	3/4	19.05	15.0	27	27	55.0	11.0	25.2	53.0	3.2

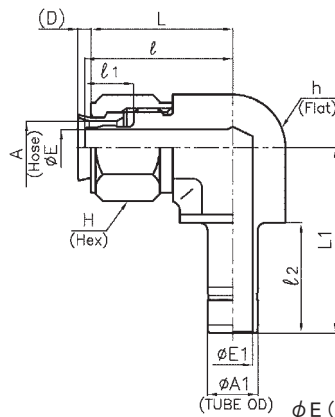
EP-fit	EPSE	Metric Size Bulkhead Reducer for BI-Lok
--------	------	---



ϕE (Hose I·D): Refer to Hose dimension sheet on page 46

Part No.	A	A1	h	h1	H	ℓ	ℓ_1	ℓ_2	ℓ_3	L	L1	(D)	Panel hole diameter
	(Hose O.D)	(Tube O.D)	(HEX)	(HEX)	(HEX)	mm	mm	mm	mm	mm	mm	mm	
EPSE 4X□-4M ss	4	4	17	17	10	48.5	25.5	6.0	15.0	47.5	24.5	1.5	11.5
EPSE 4X□-6M ss	4	6	17	17	10	50.0	25.5	6.0	16.5	49.0	24.5	1.5	11.5
EPSE 6X□-4M ss	6	4	19	19	12	50.0	26.0	6.5	15.0	49.0	25.0	2.0	13.1
EPSE 6X□-6M ss	6	6	19	19	12	51.0	26.0	6.5	16.5	50.0	25.0	2.0	13.1
EPSE 6X□-8M ss	6	8	19	19	12	52.0	26.0	6.5	17.2	51.0	25.0	2.0	13.1
EPSE 8X□-6M ss	8	6	22	22	14	53.0	27.5	7.5	16.5	52.0	26.5	2.0	16.3
EPSE 8X□-8M ss	8	8	22	22	14	54.0	27.5	7.5	17.2	53.0	26.5	2.0	16.3
EPSE 8X□-10M ss	8	10	22	22	14	54.5	27.5	7.5	18.0	53.5	26.5	2.0	16.3
EPSE 10X□-8M ss	10	8	24	24	17	55.5	28.5	8.0	17.2	55.0	28.0	2.0	19.4
EPSE 10X□-10M ss	10	10	24	24	17	56.0	28.5	8.0	18.0	55.5	28.0	2.0	19.4
EPSE 10X□-12M ss	10	12	24	24	17	61.5	28.5	8.0	23.5	61.0	28.0	2.0	19.4
EPSE 12X□-10M ss	12	10	27	27	19	60.0	32.0	9.0	18.0	55.5	31.5	2.0	22.6
EPSE 12X□-12M ss	12	12	27	27	19	65.0	32.0	9.0	23.5	64.5	31.5	2.0	22.6
EPSE 12X□-16M ss	12	16	27	27	19	67.5	32.0	9.0	25.5	67.0	31.5	2.0	22.6

EP-fit	EPLH	Metric Size Reducer Elbow for BI-Lok
--------	------	--------------------------------------



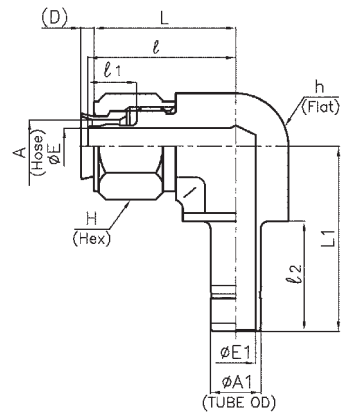
ϕE (Hose I·D): Refer to Hose dimension sheet on page 46

Part No.	A	A1	E1	h	H	ℓ	ℓ_1	ℓ_2	L	L1	(D)
	(Hose O.D)	(Tube O.D)	mm	(FLAT)	(HEX)	mm	mm	mm	mm	mm	mm
EPLH 4X□-4M ss	4	4	2.5	14.3	10	21.5	6.0	15.0	20.5	26.8	1.5
EPLH 6X□-6M ss	6	6	4.0	15.9	12	22.0	6.5	16.5	21.0	27.8	2.0
EPLH 8X□-6M ss	8	6	4.0	15.9	14	24.0	7.5	16.5	23.0	27.8	2.0
EPLH 8X□-8M ss	8	8	6.4	15.9	14	24.0	7.5	17.2	23.0	28.5	2.0
EPLH 10X□-10M ss	10	10	8.0	20.6	17	27.0	8.0	18.0	26.5	34.8	2.0
EPLH 12X□-12M ss	12	12	9.5	20.6	19	29.0	9.0	23.5	28.5	41.3	2.0

EP-fit

EPLH

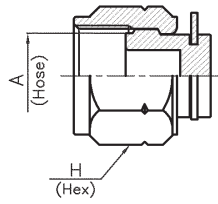
Fractional Size Reducer Elbow for BI-Lok



ϕE (Hose I.D): Refer to Hose dimension sheet on page 46

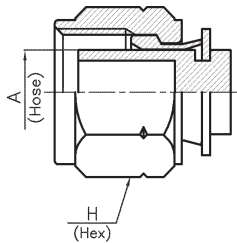
Part No.	A	A1		E1	h (HEX)	H (HEX)	ℓ	ℓ_1	ℓ_2	L	L1	(D)
	(Hose O.D)	(Tube O.D)	(Tube O.D)									
	mm	inch	mm	mm	mm	mm	mm	mm	mm	mm	mm	mm
EPLH 6X□-4 ss	6	1/4	6.35	4.8	15.9	12	22.0	6.5	16.5	21.0	26.2	2.0
EPLH 6X□-6 ss	6	3/8	9.53	7.1	15.9	12	22.0	6.5	18.0	21.0	27.7	2.0
EPLH 8X□-4 ss	8	1/4	6.35	4.8	15.9	14	24.0	7.5	16.5	23.0	26.2	2.0
EPLH 8X□-6 ss	8	3/8	9.53	7.1	15.9	14	24.0	7.5	18.0	23.0	27.7	2.0
EPLH 10X□-4 ss	10	1/4	6.35	4.8	20.6	17	27.0	8.0	16.5	26.5	33.0	2.0
EPLH 10X□-6 ss	10	3/8	9.53	7.1	20.6	17	27.0	8.0	18.0	26.5	34.5	2.0
EPLH 12X□-4 ss	12	1/4	6.35	4.8	20.6	19	29.0	9.0	16.5	28.5	33.0	2.0
EPLH 12X□-6 ss	12	3/8	9.53	7.1	20.6	19	29.0	9.0	18.0	28.5	34.5	2.0
EPLH 12X□-8 ss	12	1/2	12.7	9.9	20.6	19	29.0	9.0	23.5	28.5	39.9	2.0
EPLH 16X□-6 ss	16	3/8	9.53	7.1	27.0	24	32.5	10.5	18.0	31.0	34.5	2.5
EPLH 16X□-8 ss	16	1/2	12.7	9.9	27.0	24	32.5	10.5	23.5	31.0	39.9	2.5
EPLH 16X□-12 ss	16	3/4	19.05	15.0	27.0	24	32.5	10.5	25.2	31.0	41.6	2.5
EPLH 16X□-16 ss	16	1	25.4	20.1	27.0	24	32.5	10.5	32.5	31.0	49.0	2.5
EPLH 18X□-8 ss	18	1/2	12.7	9.9	27.0	27	32.5	10.5	23.5	31.5	39.9	2.0
EPLH 18X□-12 ss	18	3/4	19.05	15.0	27.0	27	32.5	10.5	25.2	31.5	41.6	2.0
EPLH 18X□-16 ss	18	1	25.4	20.1	27.0	27	32.5	10.5	32.5	31.5	49.0	2.0

EP-fit	EPBA	Plug
--------	------	------



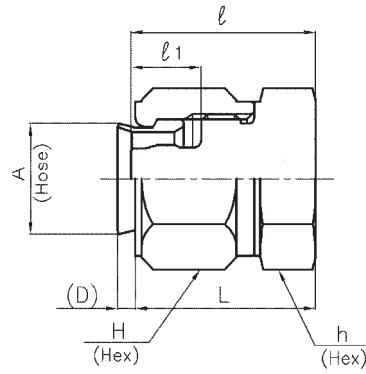
Part No.	A (Hose O.D)	H (HEX)
	mm	mm
EPBA 3X□ ss	3	10
EPBA 4X□ ss	4	10
EPBA 6X□ ss	6	12
EPBA 8X□ ss	8	14
EPBA 10X□ ss	10	17
EPBA 12X□ ss	12	19
EPBA 16X□ ss	16	24
EPBA 18X□ ss	18	27
EPBA 19X□ ss	19	27

EP-fit	EPFA	Plug
--------	------	------



Part No.	A (Hose O.D)	H (HEX)
	mm	mm
EPFA 4X□ ss	4	10
EPFA 8X□ ss	8	14
EPFA 10X□ ss	10	17
EPFA 12X□ ss	12	19
EPFA 16X□ ss	16	24

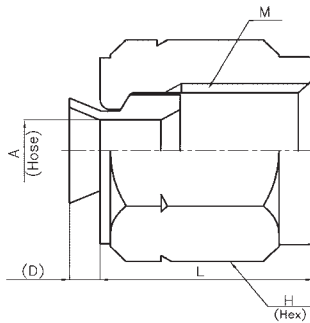
EP-fit	EPCA	Cap
--------	------	-----



φ E (Hose I·D): Refer to Hose dimension sheet on page 46

Part No.	A (Hose O.D)	h (HEX)	H (HEX)	ℓ	ℓ1	L	(D)
	mm	mm	mm	mm	mm	mm	mm
EPCA 4X□ ss	4	12	10	18.5	6.0	17.5	1.5
EPCA 6X□ ss	6	12	12	19.0	6.5	18.0	2.0
EPCA 8X□ ss	8	14	14	20.5	7.5	19.5	2.0
EPCA 10X□ ss	10	17	17	21.0	8.0	20.5	2.0
EPCA 12X□ ss	12	19	19	23.0	9.0	22.5	2.0
EPCA 16X□ ss	16	22	24	28.0	10.5	26.5	2.5
EPCA 18X□ ss	18	24	27	27.5	10.5	26.5	2.0
EPCA 19X□ ss	19	27	27	34.5	11.0	32.5	3.2

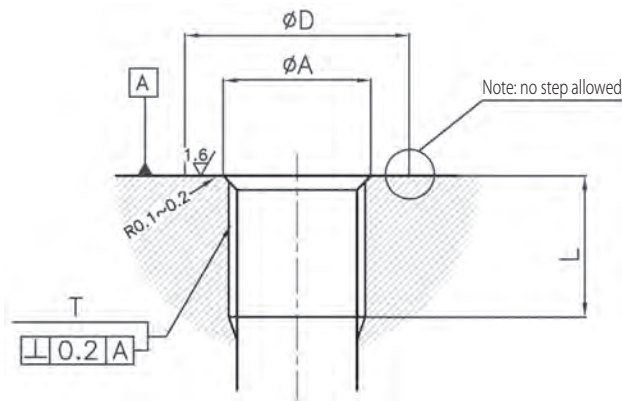
EP-fit	EPNA	Nat Assembly
--------	------	--------------



EP-fit	Hose Dimension Sheet (Metric Size)
--------	---------------------------------------

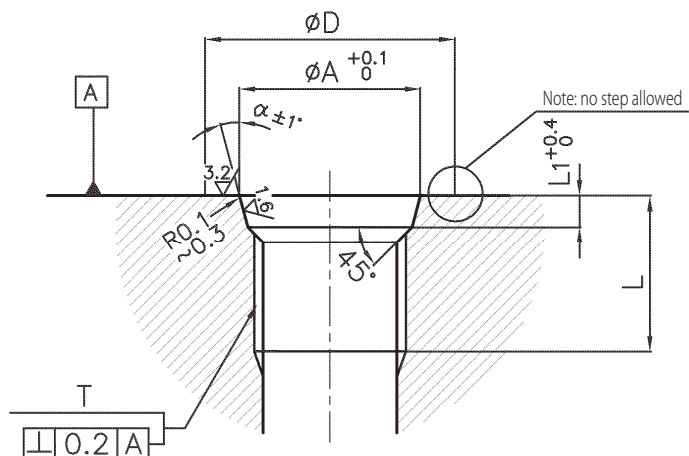
Hose inside diameter size list			
A(Hose)		(Name) Size indication	E
φ Outer diameter	φ Inside diameter		
mm	mm	mm	mm
4	2.0	4 X 2	1.5
4	2.5	4 X 2.5	2.0
4	3.0	4 X 3	2.5
6	4.0	6 X 4	3.5
8	5.0	8 X 5	4.5
8	6.0	8 X 6	5.5
8	7.0	8 X 7	6.5
10	6.5	10 X 6.5	6.0
10	8.0	10 X 8	7.5
12	8.0	12 X 8	7.5
12	9.0	12 X 9	8.5
12	10.0	12 X 10	9.5
16	10.0	16 X 10	9.0
16	12.0	16 X 12	11.0
16	13.0	16 X 13	12.0
16	14.0	16 X 14	13.0
18	12.0	18 X 12	11.0
19	16.0	19 X 16	14.0
22	15.0	22 X 15	13.5

Part No.	A (Hose O.D)	H (HEX)	(D)	L	M
	mm	mm	mm	mm	mm
EPNA 3 ss	3	10	1.5	10.5	M7
EPNA 4 ss	4	10	1.5	10.5	M8
EPNA 6 ss	6	12	2.0	11.0	M10
EPNA 8 ss	8	14	2.0	12.5	M12
EPNA 10 ss	10	17	2.0	13.5	M14
EPNA 12 ss	12	19	2.0	16.0	M16
EPNA 16 ss	16	24	2.5	16.5	M20
EPNA 18 ss	18	27	2.0	17.5	M22
EPNA 19 ss	19	27	3.2	19.5	M24
EPNA 20.3 ss	20.3	30	3.2	21.0	M26
EPNA 22 ss	22	32	3.2	21.0	M28



Thread Apply to a parallel thread for pipes of JIS B 0202			
T	A	D	L
G1/8	9.7	20	10
G1/4	13.1	25	14
G3/8	16.6	28	14
G1/2	20.9	34	17
G3/4	26.4	43	19
G 1	33.2	51	22

Thread Apply to a parallel thread for pipes of ISO 11926 and SAE 1926			
T	A	D	L
3/8-24UNF	9.5	18	10
7/16-20UNF	11.1	20	11.5
1/2-20UNF	12.7	23	11.5
9/16-18UNF	14.2	25	12.7
3/4-16UNF	19	30	14.3
7/8-14UNF	22.2	36	16.7
1 1/16-12UN	26.9	39	19
1 5/16-12UN	33.3	48	19



Apply to a parallel thread for pipes of JIS B 0202						
T	A	D	L	L1	α	※Recommended clamping torque
G1/8	11.6	18	10	2	15°	9.8N·m+10%
G1/4	15.6	24	14	2.5	15°	20N·m+10%
G3/8	18.6	28	14	2.5	15°	35N·m+10%
G1/2	22.6	34	17	2.5	15°	70N·m+10%
G3/4	29.8	45	19	3.5	15°	120N·m+10%
G 1	35.8	51	22	3.5	15°	180N·m+10%

※Materials are steel

Apply to a parallel thread for pipes of ISO 11926 and SAE 1926						
T	A	D	L	L1	α	※Recommended clamping torque
3/8-24UNF	10.7	19	10	1.9	12	11N·m+10%
7/16-20UNF	12.4	21	11.5	2.4	12	18N·m+10%
1/2-20UNF	14	23	11.5	2.4	12	23N·m+10%
9/16-18UNF	15.65	25	12.7	2.5	12	29N·m+10%
3/4-16UNF	20.6	30	14.3	2.5	15	49N·m+10%
7/8-14UNF	23.95	34	16.7	2.5	15	59N·m+10%
1 1/16-12UN	29.15	41	19	3.3	15	93N·m+10%
1 5/16-12UN	35.5	49	19	3.3	15	151N·m+10%

※Materials are steel

ISO9001, ISO14001 Certified Office
Certified office for high-pressure gas facility testing and manufacturing,
certified office for N valves and N-II fittings

IHARA SCIENCE CORPORATION

Headquarters/Sales Offices

Headquarters

East Japan Sales Office

11-3 Takanawa 3-chome Minato-ku,
Tokyo 108-0074 Japan
TEL: 03-6721-6981 FAX: 03-6721-6991

Tohoku Sales Office

5600-3, Higashineko, Oaza, Higashine city,
Yamagata prefecture 999-3701
TEL: 0237-43-7802 FAX: 0237-43-7803

Chubu Sales Office

Tsukasa Building, 3-14-19, Chiyoda, Naka ward, Nagoya city, Aichi
prefecture 460-0012
TEL: 052-323-2627 FAX: 052-323-2630

Kansai Sales Office

7F, GL Osaka Building, 4-1-18, Tenma, Kita ward Osaka city, Osaka
prefecture 530-0043
TEL: 06-6358-9255 FAX: 06-6358-9260

Kyushu Sales Office

103, Maison de Sophie, 1-1-8, Onoue, Kumamoto city, Kumamoto
prefecture 862-0913
TEL: 096-386-5353 FAX: 096-386-5354

Group Companies

Yamagata-Ihara Corporation

5600-3, Higashineko, Oaza, Higashine city,
Yamagata prefecture 999-3701
TEL: +81-237-43-5501 FAX: +81-237-43-5504

IHARA SCIENCE TAIWAN Co.,Ltd

No.79, Mingyi St., West Dist.,
Taichung City 403, Taiwan (R.O.C.)
TEL: +886-4-2319-1116 FAX: +886-4-2319-1126

SUZHOU IHARA SCIENCE Co.,Ltd.

SHANGHAI OFFICE
UnitJ-11F, Huamin Empire Plaza, No.728, YanAn Road(W),
Shanghai 200050, R.P.China
TEL: +86-21-5239-9884 FAX: +86-21-5283-3811

IHARA KOREA Co.,Ltd

Digital Empire II 103-905, Sinwon-ro 88, Yeongtong-Gu, Suwon-Si
Gyeonggi-Do, 443-734, South Korea
TEL: +82-31-695-6800 FAX: +82-31-695-6808

IHARA SCIENCE USA CORPORATION

1915 Peters Road, Suite 103 Irving, Texas 75061
TEL: +1-469-586-4671 FAX: +1-469-586-4723

■ URL : <http://www.ihara-sc.co.jp>

