



# ***IV3F***

---

High-Temperature Ball Valve  
(220°C)



イハラサイエンス株式会社  
IHARA SCIENCE CORPORATION

# IV3F High-temperature (220°C) Ball Valve

## Specifications

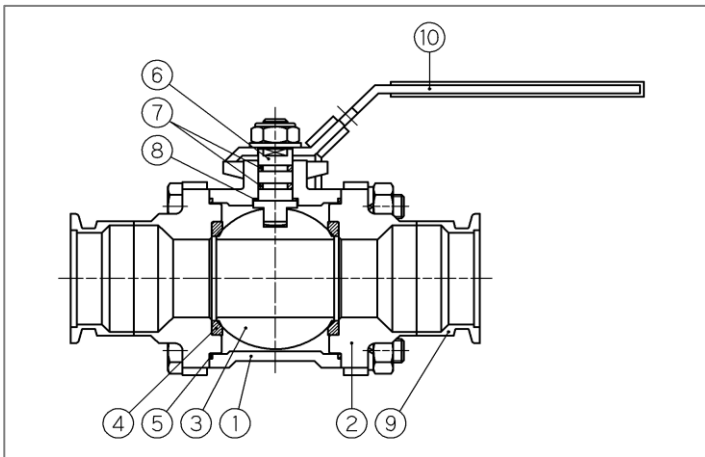
Size	Working pressure	Working temperature	Connection
25A	0~1.0MPa	-10~220°C <sup>(※)</sup>	NW Flange
40A			
50A			

※ The maximum temperature when the valve is at fully open or closed position  
(please operate the valve after cooling to an ordinary temperature)

## Testing and inspection

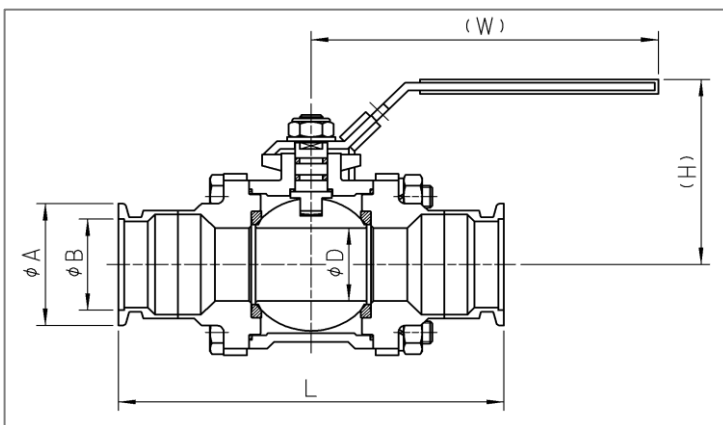
Pressure Test	1.5MPa
Airtightness・Seat Leakage Test	1.1MPa
Valve Seat Leakage Class	ANSI/FCI 70-2 Class VI

## Major materials



No.	Part name	Material
①	Body	CF8M
②	Body Cap	CF8M
③	Ball	CF8M
④	Seat	PFA
⑤	Gasket	PEEK
⑥	Stem	SUS316
⑦	O-ring	FKM
⑧	Thrust washer	RF PTFE
⑨	NW Flange	SUS316L
⑩	Handle / Cover	SUS304/Plastic

## Dimension table



Model	Size	L	H	W	A	B	D
A-12909-25NW	25A	146	65	130	40	26.2	21
A-12909-40NW	40A	168	87	150	55	41.2	33
A-12909-50NW	50A	170	95	210	75	52.5	42

## Warning

Failure to select and handle fittings, valves and related accessories in an appropriate manner may risk damage or injury to systems and persons. Within the responsibility and authorization of users and piping designers, fittings, valves and related accessories shall be adequately selected, used and maintained based on the applicable conditions and product conformity to the system applied.

Please read the operation manual carefully.

Please contact us with any questions or if the manual is missing.

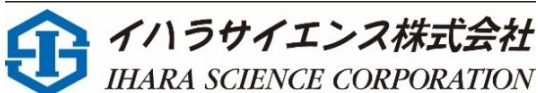
## Warranty Clause

### 1. Warranty Period

The warranty period for our products shall be within one year from the start of use or 1.5 years from the date of delivery, whichever comes first. However, this provision shall not apply when the product is of a special specification or is used in a state that deviates from our design specifications. Also, the number of uses and replacement parts may be limited for some products. Please consult us.

### 2. Scope of Warranty

For any failure or damage reported within the warranty period which is the maker's responsibility, a replacement product or necessary parts will be provided without charge. This warranty herein refers to the warranty of our products alone. The warranty shall not be applied to a claim for liquidated damages.



ISO9001 / ISO14001 Certified Office

■ URL : <http://www.ihara-sc.co.jp/>

■ The contents of this catalogue are subject to change without notice (due to product improvements etc). We thank you for your understanding.

## 【East Japan Sales Office】

11-3 T (please operate the valve after cooling at an ordinary temperature) akanawa 3-chome Minato-ku, Tokyo 〒108-0074 Japan

■ TEL: (please operate the valve after cooling at an ordinary temperature) 03-6721-6981 ■ FAX: 03-6721-6991