

e1 タッチ

ホース継手

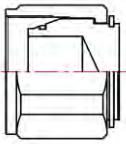

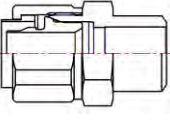
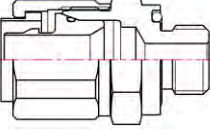
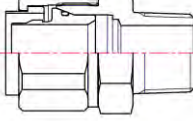
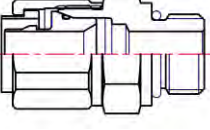
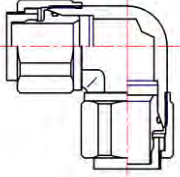
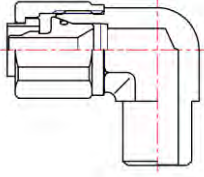
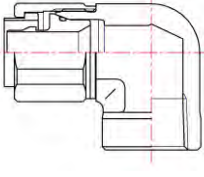
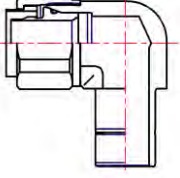
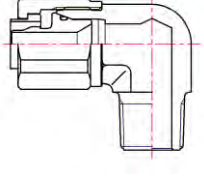
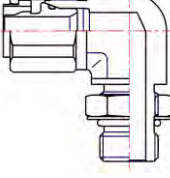
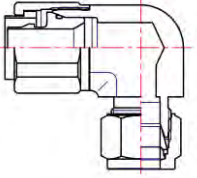
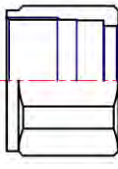
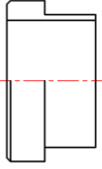
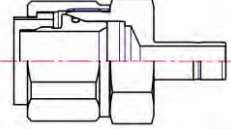
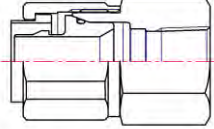
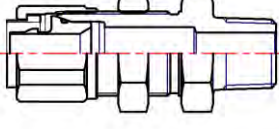
(PPF)

ST (ソフトシール) 継手シリーズ

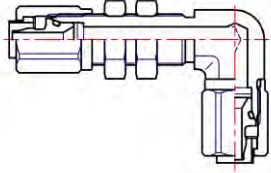
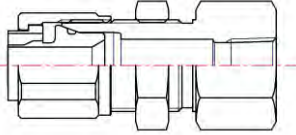
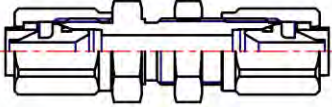
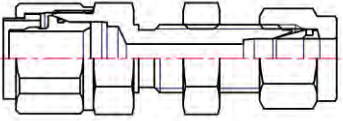
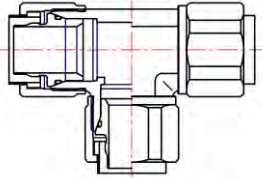
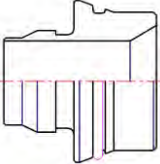
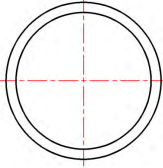
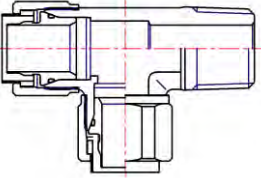
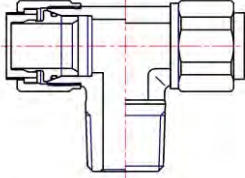
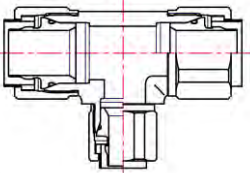
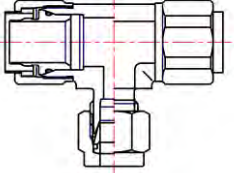
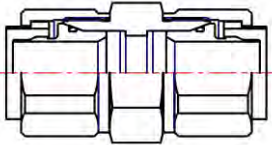
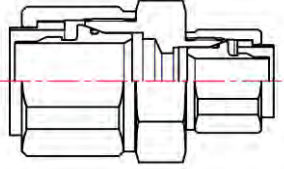
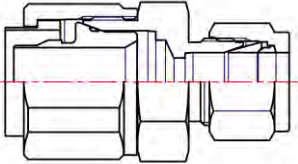
寸法表

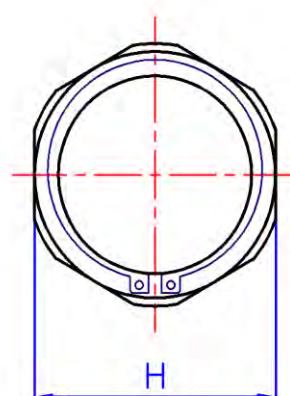
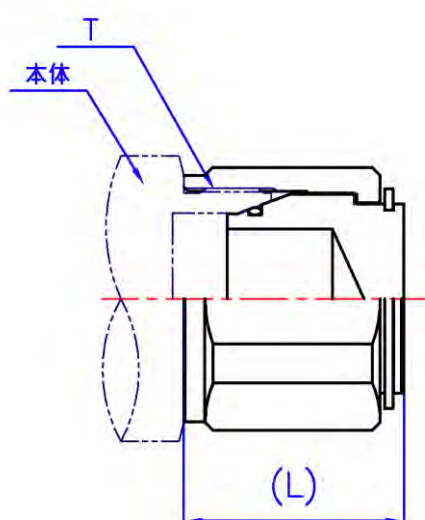
イハラサイエンス株式会社

目次

1	プラグ E1BA	2	キャップ E1CA	3	溶接コネクター E1CB
					
4	Oリング溝シール タイプコネクター E1CO	5	オスコネクター E1CT	6	Oリングシール タイプコネクター E1CU
					
7	ユニオンエルボ E1LA	8	PE溶接エルボ E1LB	9	溶接エルボ E1LF
					
10	レギュレーサ付き エルボ E1LH	11	オスエルボ E1LN	12	方向調整エルボ E1LO
					
13	BI-Lok変換 径違いエルボ E1LRB	14	ナット E1NA	15	スリーブ E1OS
					
16	レギュレーター E1RE	17	メスコネクター E1SA	18	隔壁オスコネクター E1SC
					

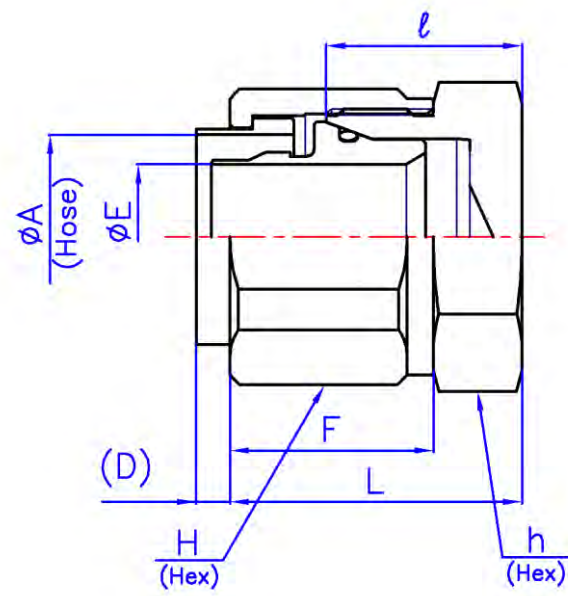
目次

19	隔壁ユニオンエルボ E1SL	20	隔壁メスコネクター E1SS	21	隔壁ユニオン E1SU
					
22	BI-Lok変換 隔壁ユニオン E1SUY	23	ユニオンティー E1TA	24	インサート E1TI
					
25	インサート用 Oリング E1TI-OR	26	オスランティー E1TK	27	オスブランチティー E1TN
					
28	径違いティー E1TR	29	BI-Lok変換 径違いティー E1TY	30	ユニオン E1UA
					
31	径違いユニオン E1UR	32	BI-Lok変換 径違いユニオン E1URB		
					



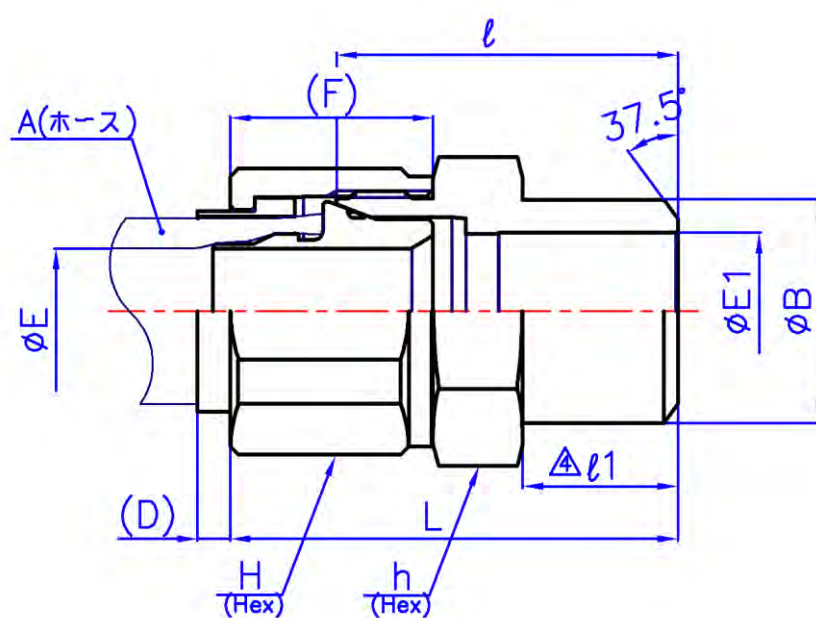
Part No.	T	H	L
		(Hex) mm	mm
E1BA 6X11ss	3/4-20UN	22	25.1
E1BA 8X13.5ss	3/4-20UN	22	25.1
E1BA 9X15ss	7/8-20UN	24	25.6
E1BA 10X16ss	7/8-20UN	24	25.8
E1BA 12X18ss	1-20UN	27	27.3
E1BA 15X22ss	1-1/8-20UN	32	28.5
E1BA 19X26ss	1-5/16-20UN	36	30.6
E1BA 25X33ss	1-5/8-20UN	46	41.5
E1BA 32X41ss	1-15/16-20UN	55	51.4

e1-Touch	E1CA	キャップ
----------	------	------



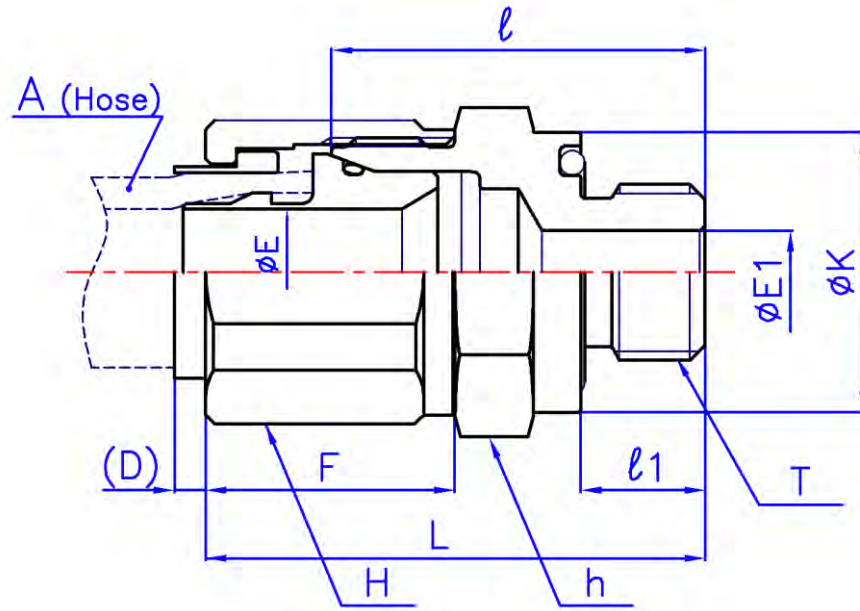
Part No.	A (Hose)	E	h (Hex)		H (Hex)	l	L	F	(D)
	mm	mm	inch	mm	mm	mm	mm	mm	mm
E1CA 6X11ss	6X11	6	13/16	20.64	22	19.5	29.6	22.0	2.0
E1CA 8X13.5ss	8X13.5	8	13/16	20.64	22	19.5	29.6	22.0	2.0
E1CA 9X15ss	9X15	9	15/16	23.81	24	20.0	30.6	22.5	2.5
E1CA 10X16ss	10X16	10	15/16	23.81	24	20.0	30.6	22.5	2.5
E1CA 12X18ss	12X18	12	1-1/16	26.99	27	21.5	33.6	24.0	3.0
E1CA 15X22ss	15X22	15	1-3/16	30.16	32	23.9	37.0	25.0	4.0
E1CA 19X26ss	19X26	19	1-3/8	34.93	36	26.1	38.9	27.0	4.5
E1CA 25X33ss	25X33	25	-	-	46	31.0	51.8	37.5	4.0
E1CA 32X41ss	32X41	31	-	-	55	36.7	63.0	44.0	6.0

e1-Touch	E1CB	溶接コネクター
-----------------	-------------	----------------



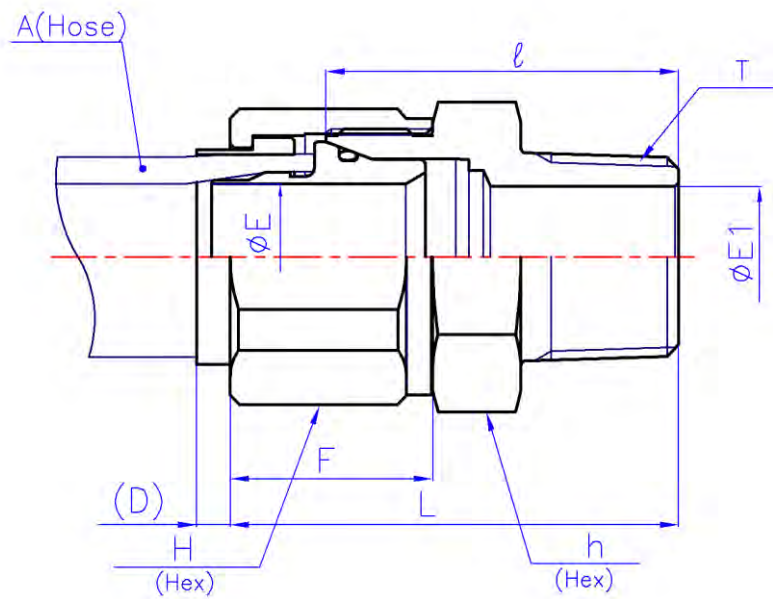
Part No.	A (Hose)	B		E	E1	h (Hex)		H (Hex)	l	l1	L	F	(D)
	mm	nom	mm	mm	mm	inch	mm	mm	mm	mm	mm	mm	mm
E1CB 8X13.5 -8ss	6 X 11	1/2	21.3	8	13.9	7/8	22.23	22	38.1	19.1	48.2	22	2.0
E1CB 9X15 -6ss	9 X 15	3/8	17	9	10.4	15/16	23.81	24	34.0	14.2	44.6	22.5	2.5
E1CB 9X15 -8ss	9 X 15	1/2	21.3	9	13.9	15/16	23.81	24	38.9	19.1	49.5	22.5	2.5
E1CB 10X16 -6ss	10 X 16	3/8	17	10	10.4	15/16	23.81	24	34.0	14.2	44.6	22.5	2.5
E1CB 10X16 -8ss	10 X 16	1/2	21.3	10	13.9	15/16	23.81	24	38.9	19.1	49.5	22.5	2.5
E1CB 12X18 -6ss	12 X 18	3/8	17	12	10.4	1-1/16	26.99	27	35.6	14.2	47.7	24	3.0
E1CB 12X18 -8ss	12 X 18	1/2	21.3	12	13.9	1-1/16	26.99	27	40.5	19.1	52.6	24	3.0
E1CB 12X18 -12ss	12 X 18	3/4	26.7	12	18.8	1-1/16	26.99	27	40.6	19.1	52.7	24	3.0
E1CB 12X18 -16ss	12 X 18	1	33.4	12	24.3	1-3/8	34.93	27	47.6	23.9	59.7	24	3.0
E1CB 15X22 -12ss	15 X 22	3/4	26.7	15	18.8	1-1/4	31.75	32	42.0	19.1	55.1	25	4.0
E1CB 19X26 -8ss	19 X 26	1/2	21.3	19	13.9	1-3/8	34.93	36	45.0	19.1	57.8	27	4.5
E1CB 19X26 -12ss	19 X 26	3/4	26.7	19	18.8	1-3/8	34.93	36	45.3	19.1	58.1	27	4.5
E1CB 19X26 -16ss	19 X 26	1	33.4	19	24.3	1-3/8	34.93	36	50.0	23.9	62.8	27	4.5
E1CB 25X33 -12ss	25 X 33	3/4	26.7	25	18.8	-	46	46	50.0	19.1	70.8	37.5	4.5
E1CB 25X33 -16ss	25 X 33	1	33.4	25	24.3	-	46	46	55.0	23.9	75.8	37.5	4.5

e1-Touch	E1CO	リング溝シールタイプコネクター
-----------------	-------------	------------------------



Part No.	A (Hose)	T	E	E1	K	h (Hex)		H (Hex)	l	l1	L	F	(D)	リング JIS B 2401 4D-P※
	mm	G	mm	mm	mm	inch	mm	mm	mm	mm	mm	mm	mm	mm
E1CO 6X11 -G4ss	6 X 11	1/4	6	6.4	23.5	15/16	23.81	22	35.0	12.0	45.1	22	2	15
E1CO 12X18 -G6ss	12 X 18	3/8	12	7.9	26.5	1-1/16	26.99	27	36.0	12.0	48.1	24	3	18
E1CO 12X18 -G8ss	12 X 18	1/2	12	12.0	31.5	1-1/4	31.75	27	42.0	14.0	54.1	24	3	22
E1CO 12X18 -G12ss	12 X 18	3/4	12	16.0	40.5	1-5/8	41.28	27	45.0	18.0	57.1	24	3	28
E1CO 15X22 -G4ss	15 X 22	1/4	15	6.4	23.5	1-3/16	30.16	32	38.3	12.0	51.4	25	4	15
E1CO 15X22 -G6ss	15 X 22	3/8	15	7.9	26.5	1-3/16	30.16	32	38.3	12.0	51.4	25	4	18
E1CO 15X22 -G8ss	15 X 22	1/2	15	12.0	31.5	1-1/4	31.75	32	42.0	14.0	55.1	25	4	22
E1CO 15X22 -G12ss	15 X 22	3/4	15	16.0	40.5	1-5/8	41.28	32	45.0	18.0	58.1	25	4	28
E1CO 19X26 -G6ss	19 X 26	3/8	19	7.9	26.5	1-3/8	34.93	36	42.5	12.0	55.3	27	4.5	18
E1CO 19X26 -G8ss	19 X 26	1/2	19	12.0	31.5	1-3/8	34.93	36	45.0	14.0	57.8	27	4.5	22
E1CO 19X26 -G12ss	19 X 26	3/4	19	16.0	40.5	1-5/8	41.28	36	47.0	18.0	59.8	27	4.5	28
E1CO 19X26 -G16ss	19 X 26	1	19	21.0	49.5	-	50	36	49.0	18.0	61.8	27	4.5	35
E1CO 25X33 -G6ss	25 X 33	3/8	25	7.9	26.5	-	46	46	45.5	12.0	66.3	37.5	4.5	18
E1CO 25X33 -G8ss	25 X 33	1/2	25	12.0	31.5	-	46	46	46.0	14.0	66.8	37.5	4.5	22
E1CO 25X33 -G12ss	25 X 33	3/4	25	16.0	40.5	-	46	46	52.0	18.0	72.8	37.5	4.5	28
E1CO 25X33 -G16ss	25 X 33	1	25	21.0	49.5	-	50	46	54.0	18.0	74.8	37.5	4.5	35
E1CO 32X41 -G8ss	32 X 41	3/8	32	12.0	31.5	2-1/8	54	55	54.0	14.0	80.1	44.0	6.0	22
E1CO 32X41 -G12ss	32 X 41	1/2	32	16.0	40.5	2-1/8	54	55	58.0	18.0	84.1	44.0	6.0	28
E1CO 32X41 -G16ss	32 X 41	3/4	32	21.0	49.5	2-1/8	54	55	58.0	18.0	84.1	44.0	6.0	35
E1CO 32X41 -G20ss	32 X 41	1	32	31.0	59.0	-	60	55	60.0	20.0	86.1	44.0	6.0	44

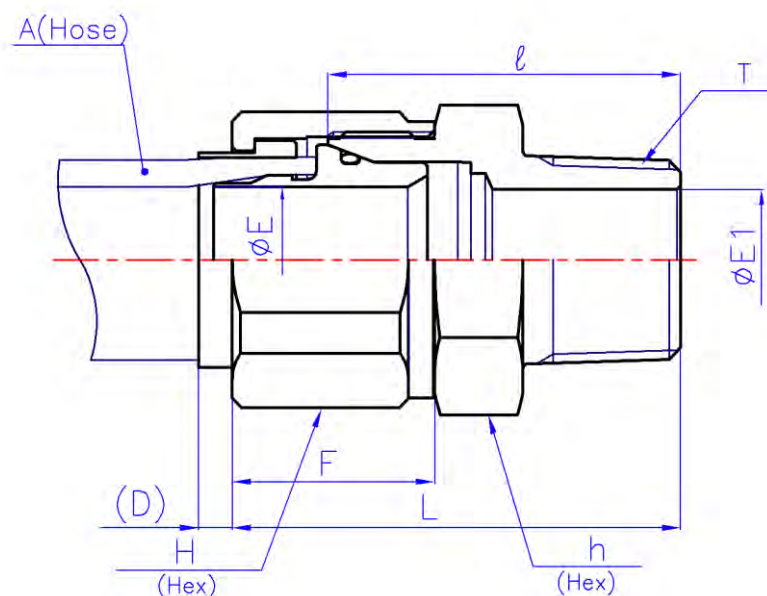
e1-Touch	E1CT	オスコネクター ISO/JIS R
-----------------	-------------	--------------------------



Part No.	A	T	E	E1	h		H	l	L	F	(D)
	(Hose)				(Hex)	(Hex)					
	mm	mm	mm	mm	inch	mm	mm	mm	mm	mm	mm
E1CT 4 X 9 -R2 ss	4 X 9	1/8	4	4.8	5/8	15.88	17	27.7	37.3	21.5	2.0
E1CT 4 X 9 -R4 ss	4 X 9	1/4	4	7.1	5/8	15.88	17	32.5	42.1	21.5	2.0
E1CT 4 X 9 -R6 ss	4 X 9	3/8	4	7.1	11/16	17.46	17	33.5	43.1	21.5	2.0
E1CT 4 X 9 -R8 ss	4 X 9	1/2	4	7.1	7/8	22.23	17	38.1	47.7	21.5	2.0
E1CT 4 X 9 -R12 ss	4 X 9	3/4	4	7.1	1-1/16	26.99	17	28.4	50.6	21.5	2.0
E1CT 6 X 11 -R2 ss	6 X 11	1/8	6	4.8	13/16	20.64	22	28.4	38.5	22	2.0
E1CT 6 X 11 -R4 ss	6 X 11	1/4	6	7.1	13/16	20.64	22	33.3	43.4	22	2.0
E1CT 6 X 11 -R6 ss	6 X 11	3/8	6	10.4	13/16	20.64	22	34.3	44.4	22	2.0
E1CT 6 X 11 -R8 ss	6 X 11	1/2	6	10.4	7/8	22.23	22	38.1	48.2	22	2.0
E1CT 6 X 11 -R12 ss	6 X 11	3/4	6	10.4	1-1/16	26.99	22	41.0	51.1	22	2.0
E1CT 8 X 13.5 -R2 ss	8 X 13.5	1/8	8	4.8	13/16	20.64	22	28.4	38.5	22	2.0
E1CT 8 X 13.5 -R4 ss	8 X 13.5	1/4	8	7.1	13/16	20.64	22	33.3	43.4	22	2.0
E1CT 8 X 13.5 -R6 ss	8 X 13.5	3/8	8	10.4	13/16	20.64	22	34.3	44.4	22	2.0
E1CT 8 X 13.5 -R8 ss	8 X 13.5	1/2	8	10.4	7/8	22.23	22	38.1	48.2	22	2.0
E1CT 8 X 13.5 -R12 ss	8 X 13.5	3/4	8	10.4	1-1/16	26.99	22	41.0	51.1	22	2.0
E1CT 9 X 15 -R2 ss	9 X 15	1/8	9	4.8	15/16	23.81	24	30.0	40.6	22.5	2.5
E1CT 9 X 15 -R4 ss	9 X 15	1/4	9	7.1	15/16	23.81	24	34.0	44.6	22.5	2.5
E1CT 9 X 15 -R6 ss	9 X 15	3/8	9	10.4	15/16	23.81	24	35.0	45.6	22.5	2.5
E1CT 9 X 15 -R8 ss	9 X 15	1/2	9	12.7	15/16	23.81	24	39.0	49.6	22.5	2.5
E1CT 9 X 15 -R12 ss	9 X 15	3/4	9	12.7	1-1/16	26.99	24	40.9	51.5	22.5	2.5
E1CT 9 X 15 -R16 ss	9 X 15	1	9	12.7	1-3/8	34.93	24	46.0	56.6	22.5	2.5
E1CT 10 X 16 -R2 ss	10 X 16	1/8	10	4.8	15/16	23.81	24	30.0	40.6	22.5	2.5
E1CT 10 X 16 -R4 ss	10 X 16	1/4	10	7.1	15/16	23.81	24	34.0	44.6	22.5	2.5
E1CT 10 X 16 -R6 ss	10 X 16	3/8	10	10.4	15/16	23.81	24	35.0	45.6	22.5	2.5
E1CT 10 X 16 -R8 ss	10 X 16	1/2	10	12.7	15/16	23.81	24	39.0	49.6	22.5	2.5
E1CT 10 X 16 -R12 ss	10 X 16	3/4	10	12.7	1-1/16	26.99	24	40.9	51.5	22.5	2.5
E1CT 10 X 16 -R16 ss	10 X 16	1	10	12.7	1-3/8	34.93	24	46.0	56.6	22.5	2.5
E1CT 12 X 18 -R4 ss	12 X 18	1/4	12	7.1	1-1/16	26.99	27	35.4	47.5	24.0	3.0
E1CT 12 X 18 -R6 ss	12 X 18	3/8	12	10.4	1-1/16	26.99	27	36.4	48.5	24.0	3.0
E1CT 12 X 18 -R8 ss	12 X 18	1/2	12	12.7	1-1/16	26.99	27	40.4	52.5	24.0	3.0
E1CT 12 X 18 -R12 ss	12 X 18	3/4	12	15.8	1-1/16	26.99	27	42.4	54.5	24.0	3.0
E1CT 12 X 18 -R16 ss	12 X 18	1	12	15.8	1-3/8	34.93	27	47.6	59.7	24.0	3.0
E1CT 12 X 18 -R20 ss	12 X 18	1-1/4	12	15.8	1-3/4	44.45	27	53.0	65.1	24.0	3.0

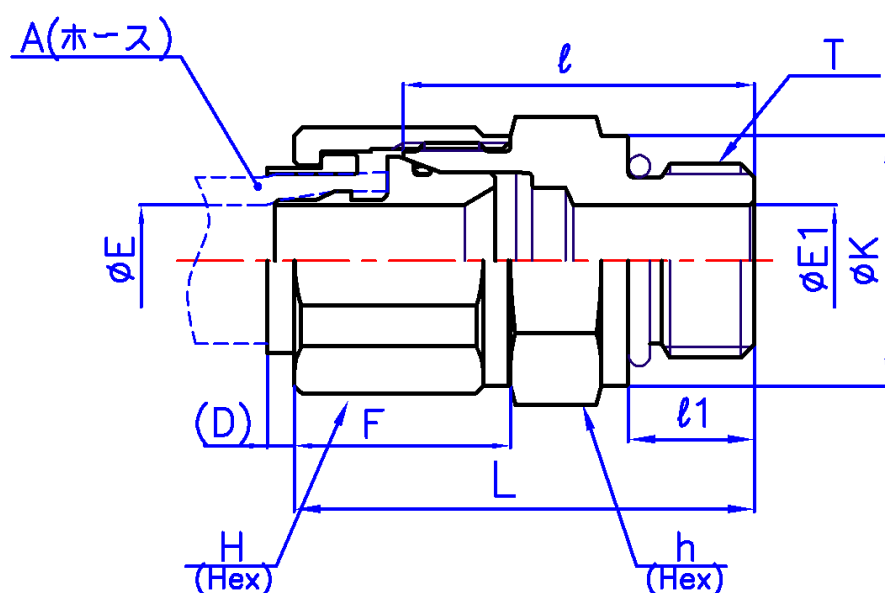
Part No.		A	T	E	E1	h		H	<i>ℓ</i>	L	F	(D)
ANSI NPT		(Hose O.D)				O.D.	mm	(Hex	mm	mm	mm	mm
		mm	mm	mm	mm			mm	mm	mm	mm	mm
E1CT	15X22 -R2ss	15 X 22	1/8	15	4.8	1-3/16	30.16.	32	35.4	48.5	25.0	4.0
E1CT	15X22 -R4ss	15 X 22	1/4	15	7.1	1-3/16	30.16.	32	35.4	48.5	25.0	4.0
E1CT	15X22 -R6ss	15 X 22	3/8	15	10.4	1-3/16	30.16.	32	36.4	49.5	25.0	4.0
E1CT	15X22 -R8ss	15 X 22	1/2	15	12.7	1-3/16	30.16.	32	40.4	53.5	25.0	4.0
E1CT	15X22 -R12ss	15 X 22	3/4	15	18.3	1-3/16	30.16	32	42.4	55.5	25.0	4.0
E1CT	15X22 -R16ss	15 X 22	1	15	18.3	1-3/8	34.93	32	47.6	60.7	25.0	4.0
E1CT	19X25 -R8ss	19 X 25	1/2	19	12.7	1-3/8	34.93	36	45.0	57.8	27.0	4.5
E1CT	19X25 -R12ss	19 X 25	3/4	19	18.3	1-3/8	34.93	36	47.0	59.8	27.0	4.5
E1CT	19X25 -R16ss	19 X 25	1	19	22.5	1-3/8	34.93	36	50.0	62.8	27.0	4.5
E1CT	19X26 -R2ss	19 X 26	1/8	19	7.1	1-3/8	34.93	36	42.5	55.3	27.0	4.5
E1CT	19X26 -R4ss	19 X 26	1/4	19	9.0	1-3/8	34.93	36	43.5	56.3	27.0	4.5
E1CT	19X26 -R6ss	19 X 26	3/8	19	12.7	1-3/8	34.93	36	45.0	57.8	27.0	4.5
E1CT	19X26 -R8ss	19 X 26	1/2	19	18.3	1-3/8	34.93	36	47.0	59.8	27.0	4.5
E1CT	19X26 -R12ss	19 X 26	3/4	19	22.5	1-3/8	34.93	36	50.0	62.8	27.0	4.5
E1CT	19X26 -R16ss	19 X 26	1	19	22.5	1-3/4	44.45	36	55.0	67.8	27.0	4.5
E1CT	25X32 -R12ss	25 X 32	3/4	25	18.3	-	46	46	50.0	70.8	37.5	4.5
E1CT	25X32 -R16ss	25 X 32	1	25	22.5	-	46	46	55.0	75.8	37.5	4.5
E1CT	25X33 -R2ss	25 X 33	1/8	25	10.4	-	46	46	46.0	66.8	37.5	4.5
E1CT	25X33 -R4ss	25 X 33	1/4	25	12.7	-	46	46	50.0	70.8	37.5	4.5
E1CT	25X33 -R6ss	25 X 33	3/8	25	18.3	-	46	46	50.0	70.8	37.5	4.5
E1CT	25X33 -R8ss	25 X 33	1/2	25	22.5	-	46	46	55.0	75.8	37.5	4.5
E1CT	25X33 -R12ss	25 X 33	3/4	25	27.8	-	46	46	58.0	78.8	37.5	4.5
E1CT	25X33 -R16ss	25 X 33	1	25	34.0	2-1/8	54	46	62.5	83.3	37.5	4.5
E1CT	32X41 -R8ss	32 X 41	1/2	32	12.7	2-1/8	54	55	54.0	80.1	44.0	6.0
E1CT	32X41 -R12ss	32 X 41	3/4	32	18.3	2-1/8	54	55	56.4	82.5	44.0	6.0
E1CT	32X41 -R16ss	32 X 41	1	32	22.5	2-1/8	54	55	59.4	85.5	44.0	6.0
E1CT	32X41 -R20ss	32 X 41	1-1/4	32	27.8	2-1/8	54	55	62.4	88.5	44.0	6.0
E1CT	32X41 -R24ss	32 X 41	1-1/2	32	34.0	2-1/8	54	55	63.7	89.8	44.0	6.0
E1CT	38 X 48 -R24 ss	38 X 48	1-1/2	35	27.8	2-3/4	70	76	75.5	108.5	58.4	6.0

e1-Touch	E1CT	オスコネクター ANSI/NPT
-----------------	-------------	-------------------------

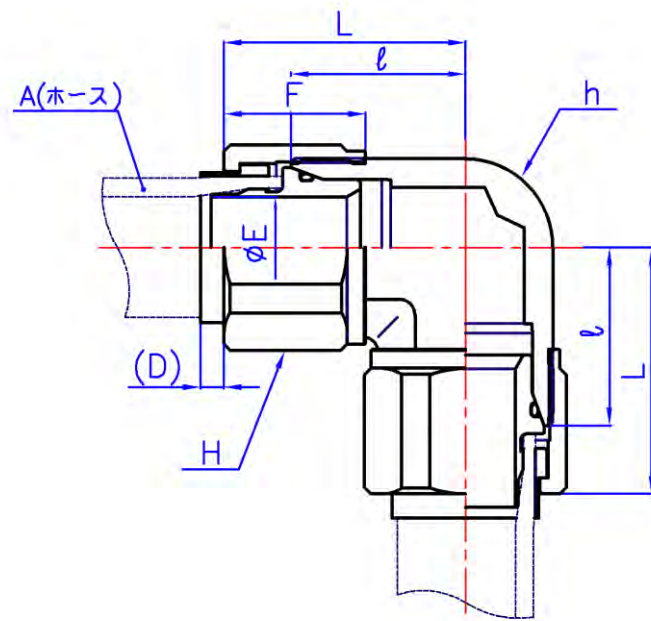


Part No.	A (Hose)	T	E	E1	h (Hex)		H (Hex)	l	L	F	(D)
	mm	mm	mm	mm	inch	mm	mm	mm	mm	mm	mm
E1CT 6 X 11 -2 ss	6 X 11	1/8	6	4.8	13/16	20.64	22	28.4	38.5	22	2.0
E1CT 6 X 11 -4 ss	6 X 11	1/4	6	7.1	13/16	20.64	22	33.3	43.4	22	2.0
E1CT 6 X 11 -6 ss	6 X 11	3/8	6	10.4	13/16	20.64	22	33.3	43.4	22	2.0
E1CT 6 X 11 -8 ss	6 X 11	1/2	6	10.4	7/8	22.23	22	38.1	48.2	22	2.0
E1CT 6 X 11 -12 ss	6 X 11	3/4	6	10.4	1-1/16	26.99	22	39.0	49.1	22	2.0
E1CT 6 X 11 -16 ss	6 X 11	1	6	10.4	1-3/8	34.93	22	47.6	57.7	22	2.0
E1CT 8 X 13.5 -2 ss	8 X 13.5	1/8	8	4.8	13/16	20.64	22	28.4	38.5	22	2.0
E1CT 8 X 13.5 -4 ss	8 X 13.5	1/4	8	7.1	13/16	20.64	22	33.3	43.4	22	2.0
E1CT 8 X 13.5 -6 ss	8 X 13.5	3/8	8	10.4	13/16	20.64	22	33.3	43.4	22	2.0
E1CT 8 X 13.5 -8 ss	8 X 13.5	1/2	8	10.4	7/8	22.23	22	38.1	48.2	22	2.0
E1CT 8 X 13.5 -12 ss	8 X 13.5	3/4	8	10.4	1-1/16	26.99	22	39.0	49.1	22	2.0
E1CT 8 X 13.5 -16 ss	8 X 13.5	1	8	10.4	1-3/8	34.93	22	47.6	57.7	22.0	2.0
E1CT 9 X 15 -4 ss	9 X 15	1/4	9	7.1	15/16	23.81	24	34.0	44.6	22.5	2.5
E1CT 9 X 15 -6 ss	9 X 15	3/8	9	10.4	15/16	23.81	24	34.0	44.6	22.5	2.5
E1CT 9 X 15 -8 ss	9 X 15	1/2	9	12.7	15/16	23.81	24	39.0	49.6	22.5	2.5
E1CT 9 X 15 -12 ss	9 X 15	3/4	9	12.7	1-1/16	26.99	24	38.9	49.5	22.5	2.5
E1CT 10 X 16 -4 ss	10 X 16	1/4	10	7.1	15/16	23.81	24	34.0	44.6	22.5	2.5
E1CT 10 X 16 -6 ss	10 X 16	3/8	10	10.4	15/16	23.81	24	34.0	44.6	22.5	2.5
E1CT 10 X 16 -8 ss	10 X 16	1/2	10	12.7	15/16	23.81	24	39.0	49.6	22.5	2.5
E1CT 10 X 16 -12 ss	10 X 16	3/4	10	12.7	1-1/16	26.99	24	38.9	49.5	22.5	2.5
E1CT 12 X 18 -4 ss	12 X 18	1/4	12	7.1	1-1/16	26.99	27	35.4	47.5	24.0	3.0
E1CT 12 X 18 -6 ss	12 X 18	3/8	12	10.4	1-1/16	26.99	27	35.4	47.5	24.0	3.0
E1CT 12 X 18 -8 ss	12 X 18	1/2	12	12.7	1-1/16	26.99	27	40.4	52.5	24.0	3.0
E1CT 12 X 18 -12 ss	12 X 18	3/4	12	15.8	1-1/16	26.99	27	40.4	52.5	24.0	3.0
E1CT 12 X 18 -16 ss	12 X 18	1	12	15.8	1-3/8	34.93	27	47.6	59.7	24.0	3.0
E1CT 15 X 22 -8 ss	15 X 22	1/2	15	12.7	1-3/16	30.16	32	40.4	53.5	25.0	4.0
E1CT 15 X 22 -12 ss	15 X 22	3/4	15	18.3	1-3/16	30.16	32	40.4	53.5	25.0	4.0
E1CT 15 X 22 -16 ss	15 X 22	1	15	18.3	1-3/8	34.93	32	47.6	60.7	25.0	4.0
E1CT 19 X 26 -8 ss	19 X 26	1/2	19	12.7	1-3/8	34.93	36	45.0	57.8	27.0	4.5
E1CT 19 X 26 -12 ss	19 X 26	3/4	19	18.3	1-3/8	34.93	36	45.0	57.8	27.0	4.5
E1CT 19 X 26 -16 ss	19 X 26	1	19	22.5	1-3/8	34.93	36	50.0	62.8	27.0	4.5
E1CT 19 X 26 -20 ss	19 X 26	1-1/4	19	22.5	1-3/4	44.45	36	50.0	62.8	27.0	4.5
E1CT 19 X 26 -24 ss	19 X 26	1-1/2	19	22.5	1-3/4	44.45	36	50.0	62.8	27.0	4.5
E1CT 25 X 33 -16 ss	25 X 33	1	25	34.0	2-1/8	54	46	55.1	75.9	37.5	4.5
E1CT 32 X 41 -24 ss	32 X 41	1-1/2	32	34.0	2-1/8	54	55	61.7	87.8	44.0	6.0

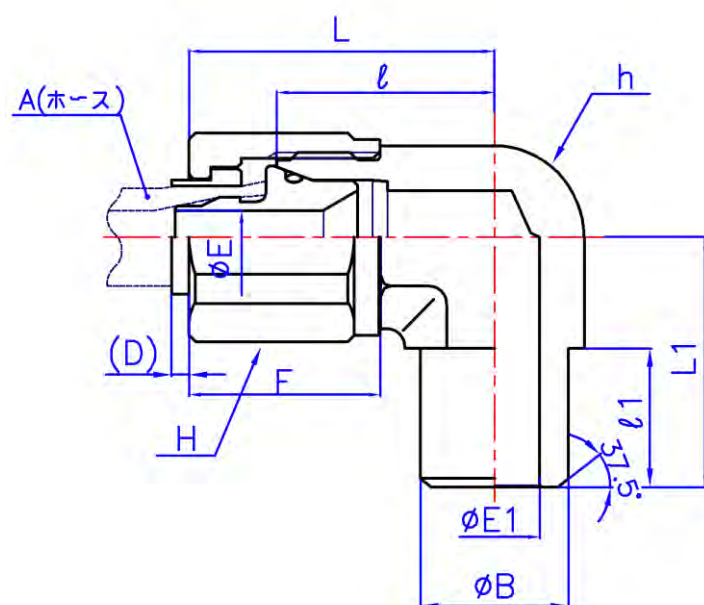
e1-Touch	E1CU	リングシールタイプコネクター
-----------------	-------------	-----------------------



Part No.	A	T	E	E1	h		H	ℓ	ℓ1	L	K	F	(D)	リング JIS B 2401 4D-P※
	(Hose) mm	G	mm	mm	inch	mm	(Hex) mm	mm	mm	mm		mm	mm	
E1CU 4X9 -G2ss	4 X 9	1/8	4	4.0	5/8	15.88	17	28.8	8.0	38.4	14.0	21.5	2.0	P8
E1CU 4X9 -G4ss	4 X 9	1/4	4	6.4	3/4	19.05	17	32.8	12.0	42.4	19.0	21.5	2.0	P11
E1CU 4X9 -G6ss	4 X 9	3/8	4	7.1	7/8	22.23	17	32.8	12.0	42.4	22.0	21.5	2.0	P14
E1CU 4X9 -G8ss	4 X 9	1/2	4	12.0	1-1/16	26.99	17	39.0	14.0	48.6	26.5	21.5	2.0	P18
E1CU 6X11 -G2ss	6 X 11	1/8	6	4.0	13/16	20.64	22	29.0	8.0	39.1	14.0	22.0	2.0	P8
E1CU 6X11 -G4ss	6 X 11	1/4	6	6.4	13/16	20.64	22	33.0	12.0	43.1	19.0	22.0	2.0	P11
E1CU 6X11 -G6ss	6 X 11	3/8	6	10.4	7/8	22.23	22	32.8	12.0	42.9	22.0	22.0	2.0	P14
E1CU 6X11 -G8ss	6 X 11	1/2	6	12.0	1-1/16	26.99	22	39.0	14.0	49.1	26.5	22.0	2.0	P18
E1CU 6X11 -G12ss	6 X 11	3/4	6	15.8	1-1/4	31.75	22	41.0	16.0	51.1	31.5	22.0	2.0	P24
E1CU 8X13.5 -G2ss	8 X 13.5	1/8	8	4.0	13/16	20.64	22	29.0	8.0	39.1	14.0	22.0	2.0	P8
E1CU 8X13.5 -G4ss	8 X 13.5	1/4	8	6.4	13/16	20.64	22	33.0	12.0	43.1	19.0	22.0	2.0	P11
E1CU 8X13.5 -G6ss	8 X 13.5	3/8	8	10.4	7/8	22.23	22	32.8	12.0	42.9	22.0	22.0	2.0	P14
E1CU 8X13.5 -G8ss	8 X 13.5	1/2	8	12.0	1-1/16	26.99	22	39.0	14.0	49.1	26.5	22.0	2.0	P18
E1CU 8X13.5 -G12ss	8 X 13.5	3/4	8	15.8	1-1/4	31.75	22	41.0	16.0	51.1	31.5	22.0	2.0	P24
E1CU 9X15 -G4ss	9 X 15	1/4	9	4.0	15/16	23.81	24	34.0	12.0	44.6	19.0	22.5	2.5	P11
E1CU 10X16 -G4ss	10 X 16	1/4	10	6.4	15/16	23.81	24	34.0	12.0	44.6	19.0	22.5	2.5	P11
E1CU 12X18 -G4ss	12 X 18	1/4	12	6.4	1-1/16	26.99	27	35.8	12.0	47.9	19.0	24.0	3.0	P11
E1CU 12X18 -G6ss	12 X 18	3/8	12	7.9	1-1/16	26.99	27	33.8	12.0	45.9	22.0	24.0	3.0	P14
E1CU 12X18 -G8ss	12 X 18	1/2	12	12.0	1-1/16	26.99	27	39.0	14.0	51.1	26.5	24.0	3.0	P18
E1CU 12X18 -G12ss	12 X 18	3/4	12	15.8	1-1/4	31.75	27	42.7	16.0	54.8	31.5	24.0	3.0	P24
E1CU 15X22 -G8ss	15 X 22	1/2	15	12.0	1-3/16	30.16	32	39.5	14.0	52.6	26.5	25.0	4.0	P18
E1CU 15X22 -G12ss	15 X 22	3/4	15	15.8	1-1/4	31.75	32	43.0	16.0	56.1	31.5	25.0	4.0	P24
E1CU 19X26 -G6ss	19 X 26	3/8	19	7.9	1-3/8	34.93	36	40.0	12.0	52.8	22.0	27.0	4.5	P14
E1CU 19X26 -G8ss	19 X 26	1/2	19	12.0	1-3/8	34.93	36	43.2	14.0	56.0	26.5	27.0	4.5	P18
E1CU 19X26 -G12ss	19 X 26	3/4	19	15.8	1-3/8	34.93	36	45.2	16.0	58.0	31.5	27.0	4.5	P24
E1CU 19X26 -G16ss	19 X 26	1	19	21.0	1-5/8	41.28	36	47.5	18.0	60.3	41.0	27.0	4.5	P29
E1CU 25X33 -G6ss	25 X 33	3/8	25	7.9	-	46	46	43.0	12.0	63.8	22.0	37.5	4.5	P14
E1CU 25X33 -G8ss	25 X 33	1/2	25	12.0	-	46	46	46.0	14.0	66.8	26.5	37.5	4.5	P18
E1CU 25X33 -G12ss	25 X 33	3/4	25	15.8	-	46	46	50.0	16.0	70.8	31.5	37.5	4.5	P24
E1CU 25X33 -G16ss	25 X 33	1	25	21.0	-	46	46	50.0	18.0	70.8	41.0	37.5	4.5	P29
E1CU 32X41 -G8ss	32 X 41	1/2	32	12.0	2-1/8	54	55	52.0	14.0	72.8	26.5	44.0	6.0	P18
E1CU 32X41 -G12ss	32 X 41	3/4	32	15.8	2-1/8	54	55	54.0	16.0	74.8	31.5	44.0	6.0	P24
E1CU 32X41 -G16ss	32 X 41	1	32	21.0	2-1/8	54	55	56.0	18.0	76.8	41.0	44.0	6.0	P29
E1CU 32X41 -G20ss	32 X 41	1-1/4	32	31.0	2-1/8	54	55	58.0	20.0	78.8	50.0	44.0	6.0	P38

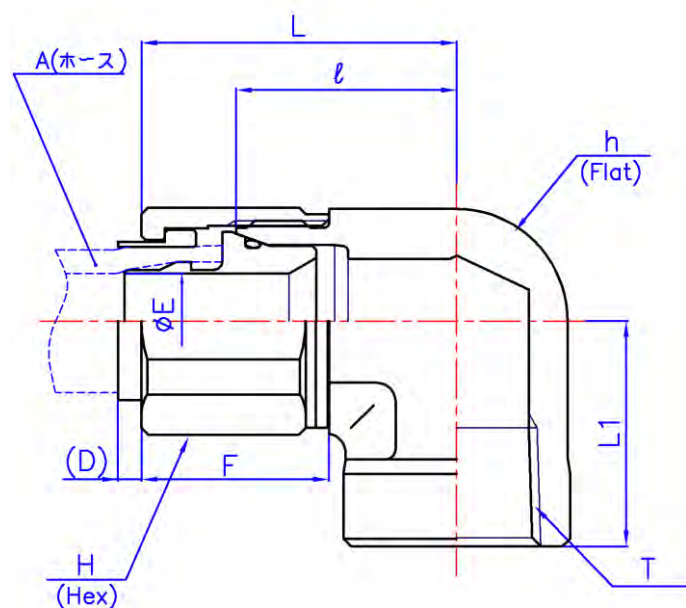


Part No.	A	E1	h		H	ℓ	L	F	(D)
	(Hose)		inch	mm					
	mm	mm	inch	mm	mm	mm	mm	mm	mm
E1LA 6X11ss	6X11	6	13/16	20.6	22	25.0	35.1	22.0	2.0
E1LA 8X13.5ss	8X13.5	8	13/16	20.6	22	25.0	35.1	22.0	2.0
E1LA 9X15ss	9X15	9	15/16	23.8	24	27.0	37.6	22.5	2.5
E1LA 10X16ss	10X16	10	15/16	23.8	24	27.0	37.6	22.5	2.5
E1LA 12X18ss	12X18	12	1-1/16	27.0	27	28.2	40.3	24.0	3.0
E1LA 15X22ss	15X22	15	1-1/4	31.8	32	32.5	45.6	25.0	4.0
E1LA 19X26ss	19X26	19	1-5/16	33.3	36	33.3	46.1	27.0	4.5
E1LA 25X33ss	25X33	25	1-11/16	42.9	46	44.5	65.3	37.5	4.0



Part No.	A (Hose)		B		E	h (Flat)		H (HEX)	l	$l1$	L	L1	F	(D)
	mm	inch	mm	inch	mm	inch	mm	mm	mm	mm	mm	mm	mm	mm
E1LB 10X16ss	10X16	1/2	21.3	12.7	13.9	15/16	23.8	24	27.0	19.1	37.6	33.5	22.5	2.5
E1LB 19X26ss	19X26	1	33.4	22.5	24.3	1-5/16	33.3	36	33.3	26.7	46.1	46.7	27.0	4.5

e1-Touch	E1LF	溶接エルボ
-----------------	-------------	--------------

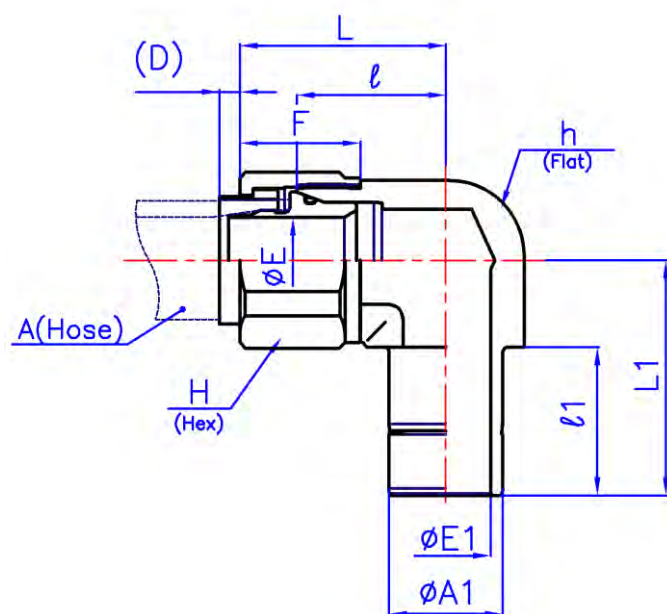


Part No.	A	T	E	h		H	l	L	L1	F	(D)
	(Hose) mm	(Rc) mm	mm	inch	mm	(Hex) mm	mm	mm	mm	mm	mm
E1LF 6X11 -2ss	6X11	1/4	6	13/16	20.6	22	25.0	35.1	22.5	22.0	2.0
E1LF 6X11 -4ss	6X11	3/8	6	15/16	23.8	22	26.2	36.3	22.5	22.0	2.0
E1LF 6X11 -6ss	6X11	1/2	6	1-1/16	27.0	22	28.2	38.3	28.5	22.0	2.0
E1LF 8X13.5 -4ss	8X13.5	1/4	8	13/16	20.6	22	25.0	35.1	22.5	22.0	2.0
E1LF 8X13.5 -6ss	8X13.5	3/8	8	15/16	23.8	22	26.2	36.3	22.5	22.0	2.0
E1LF 8X13.5 -8ss	8X13.5	1/2	8	1-1/16	27.0	22	28.2	38.3	28.5	22.0	2.0
E1LF 9X15 -6ss	9X15	3/8	9	15/16	23.8	24	27.0	37.6	22.5	22.5	2.5
E1LF 10X16 -6ss	10X16	3/8	10	15/16	23.8	24	27.0	37.6	22.5	22.5	2.5
E1LF 10X16 -8ss	10X16	1/2	10	1-1/16	27.0	24	28.2	38.8	28.5	22.5	2.5
E1LF 12X18 -6ss	12X18	3/8	12	1-1/16	27.0	27	28.2	40.3	28.5	24.0	2.5
E1LF 12X18 -8ss	12X18	1/2	12	1-1/16	27.0	27	28.2	40.3	28.5	24.0	3.0
E1LF 15X22 -R4ss	15X22	1/4	15	1-1/4	31.8	32	32.5	45.6	31.0	25.0	3.0
E1LF 15X22 -R6ss	15X22	3/8	15	1-1/4	31.8	32	32.5	45.6	31.0	25.0	4.0
E1LF 15X22 -R8ss	15X22	1/2	15	1-1/4	31.8	32	32.5	45.6	31.0	25.0	4.0
E1LF 15X22 -R12ss	15X22	3/4	15	1-5/16	33.3	32	32.5	45.6	31.8	25.0	4.0
E1LF 15X22 -R16ss	15X22	1	15	1-13/16	46.0	32	39.0	52.1	38.1	25.0	4.0
E1LF 19X26 -R6ss	19X26	3/8	19	1-5/16	33.3	36	33.3	46.1	28.5	27.0	4.5
E1LF 19X26 -R8ss	19X26	1/2	19	1-5/16	33.3	36	33.3	46.1	33.3	27.0	4.5
E1LF 19X26 -R12ss	19X26	3/4	19	1-5/16	33.3	36	33.3	46.1	33.3	27.0	4.5
E1LF 19X26 -R16ss	19X26	1	19	1-13/16	46.0	36	40	52.8	38.1	27.0	4.5
E1LF 19X26 -R20ss	19X26	1-1/4	19	2-1/8	54.0	36	42.5	55.3	44.5	27.0	4.5
E1LF 19X26 -R24ss	19X26	1-1/2	19	2-3/8	60.3	36	45.5	58.3	50.8	27.0	4.5
E1LF 25X33 -R6ss	25X33	3/8	25	1-11/16	42.9	46	44.5	65.3	35.0	37.5	4.0
E1LF 25X33 -R8ss	25X33	1/2	25	1-11/16	42.9	46	44.5	65.3	35.0	37.5	4.0
E1LF 25X33 -R12ss	25X33	3/4	25	1-11/16	42.9	46	44.5	65.3	35.0	37.5	4.0
E1LF 25X33 -R16ss	25X33	1	25	1-7/8	47.6	46	44.5	65.3	39.0	37.5	4.0
E1LF 25X33 -R20ss	25X33	1-1/4	25	2-1/8	54.0	46	44.5	65.3	44.5	37.5	4.0
E1LF 32X41 -R12ss	32X41	3/4	31	2-1/8	54.0	55	50.0	76.1	40.5	44.0	6.0
E1LF 32X41 -R16ss	32X41	1	31	2-1/8	54.0	55	50.0	76.1	40.5	44.0	6.0
E1LF 32X41 -R20ss	32X41	1-1/4	31	2-1/8	54.0	55	50.0	76.1	44.5	44.0	6.0
E1LF 32X41 -R24ss	32X41	1-1/2	31	2-3/8	60.3	55	50.0	76.1	50.8	44.0	6.0

e1-Touch

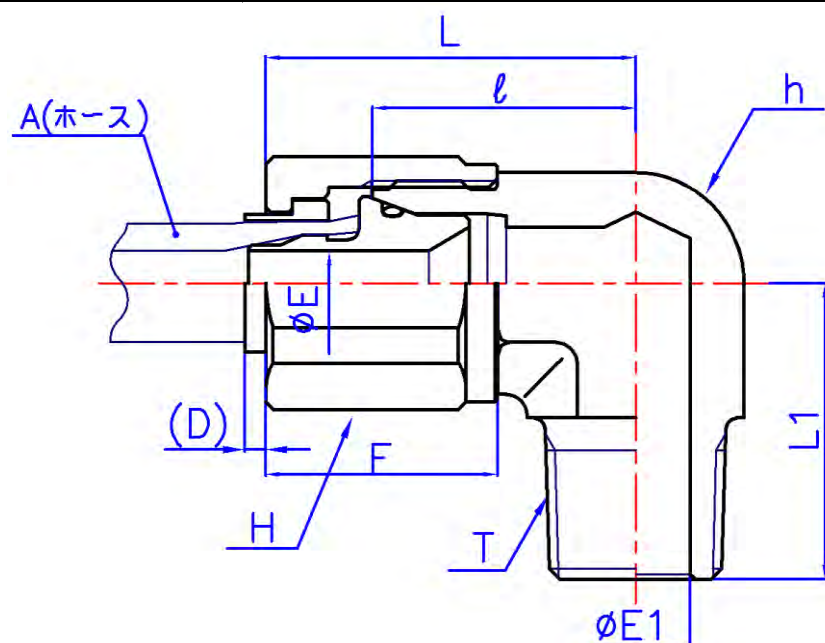
E1LH

レギュレーター付きエルボ



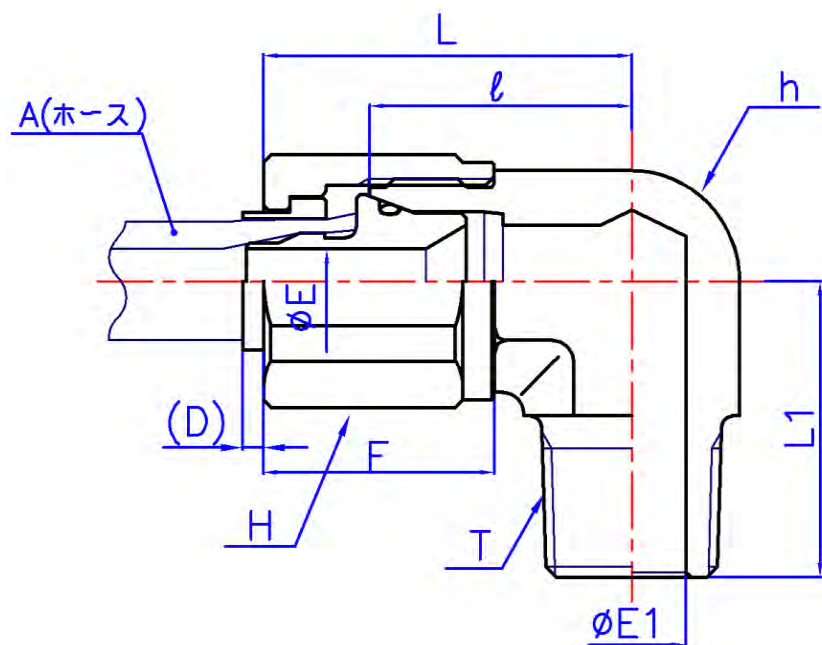
PartNo.	A		A1		E	E1	h		H	l	l1	L	L1	F	(D)
	(Hose)		(TubeO.D.)				(Flat)								
	mm	inch	mm	mm	mm	mm	inch	mm	mm	mm	mm	mm	mm	mm	mm
E1LH19×26-16ss	19X26	1	25.4	19.0	20.1	1-5/16	33.3	36.0	33.3	32.5	46.1	51.5	27.0	4.5	

e1-Touch	E1LN	オスエルボ ISO/JIS R
-----------------	-------------	------------------------



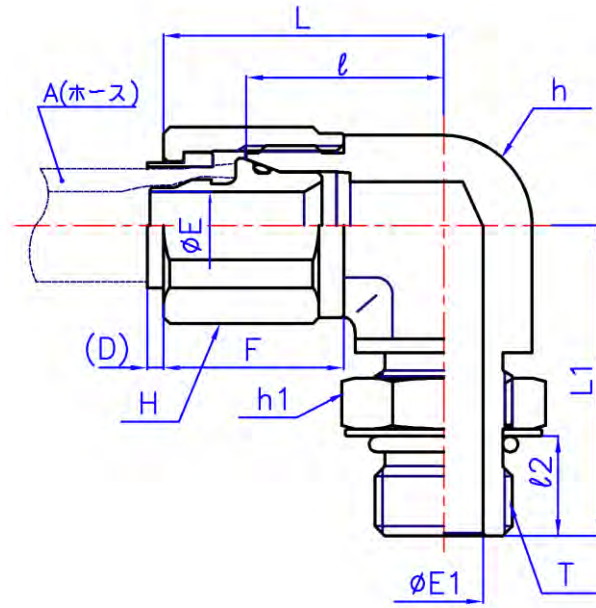
Part No.	A (Hose)	T (R)	E	E1	h (Flat)		H (Hex)	ℓ	L	L1	F	(D)
	mm				mm	inch						
E1LN 4X9 -R2ss	4 X 9	1/8	4	4.8	5/8	15.9	22	23	32.6	19	21.5	2
E1LN 4X9 -R4ss	4 X 9	1/4	4	6.0	5/8	15.9	22	23	32.6	25.5	21.5	2
E1LN 6X11 -R4ss	6 X 11	1/4	6	7.1	13/16	20.6	22	25	35.1	27.5	22	2
E1LN 6X11 -R6ss	6 X 11	3/8	6	10.4	13/16	20.6	22	25	35.1	27.5	22	2
E1LN 6X11 -R8ss	6 X 11	1/2	6	12.7	13/16	20.6	22	26.2	36.3	33.5	22	2
E1LN 8X13.5 -R2ss	8 X 13.5	1/8	8	4.8	13/16	20.6	22	25	35.1	23.5	22	2
E1LN 8X13.5 -R4ss	8 X 13.5	1/4	8	7.1	13/16	20.6	22	25	35.1	27.5	22	2
E1LN 8X13.5 -R6ss	8 X 13.5	3/8	8	10.4	13/16	20.6	22	25	35.1	27.5	22	2
E1LN 8X13.5 -R8ss	8 X 13.5	1/2	8	12.7	13/16	20.6	22	26.2	36.3	33.5	22	2
E1LN 9X15 -R4ss	9 X 15	1/4	9	7.1	15/16	23.8	24	27	37.6	29.5	22.5	2.5
E1LN 9X15 -R6ss	9 X 15	3/8	9	10.4	15/16	23.8	24	27	37.6	29.5	22.5	2.5
E1LN 9X15 -R8ss	9 X 15	1/2	9	12.7	15/16	23.8	24	27	37.6	34	22.5	2.5
E1LN 9X15 -R12ss	9 X 15	3/4	9	18.3	1-1/16	27.0	24	28.2	38.8	37.5	22.5	2.5
E1LN 10X16 -R4ss	10 X 16	1/4	10	7.1	15/16	23.8	24	27	37.6	29.5	22.5	2.5
E1LN 10X16 -R6ss	10 X 16	3/8	10	10.4	15/16	23.8	24	27	37.6	29.5	22.5	2.5
E1LN 10X16 -R8ss	10 X 16	1/2	10	12.7	15/16	23.8	24	27	37.6	34	22.5	2.5
E1LN 10X16 -R12ss	10 X 16	3/4	10	18.3	1-1/16	27.0	24	28.2	38.8	37.5	22.5	2.5
E1LN 12X18 -R4ss	12 X 18	1/4	12	7.1	1-1/16	27.0	27	28.2	40.3	30.5	24	3
E1LN 12X18 -R6ss	12 X 18	3/8	12	10.4	1-1/16	27.0	27	28.2	40.3	30.5	24	3
E1LN 12X18 -R8ss	12 X 18	1/2	12	12.7	1-1/16	27.0	27	28.2	40.3	35.5	24	3
E1LN 12X18 -R12ss	12 X 18	3/4	12	18.3	1-1/16	27.0	27	28.2	40.3	37.5	24	3
E1LN 15X22 -R4ss	15 X 22	1/4	15	7.1	1-1/4	31.8	32	32.5	45.6	34	25	4
E1LN 15X22 -R6ss	15 X 22	3/8	15	10.4	1-1/4	31.8	32	32.5	45.6	34	25	4
E1LN 15X22 -R8ss	15 X 22	1/2	15	12.7	1-1/4	31.8	32	32.5	45.6	42	25	4
E1LN 15X22 -R12ss	15 X 22	3/4	15	18.3	1-1/4	31.8	32	32.5	45.6	44	25	4
E1LN 15X22 -R16ss	15 X 22	1	15	22.5	1-5/16	33.3	32	33.3	46.4	46.7	25	4
E1LN 19X26 -R4ss	19 X 26	1/4	19	7.1	1-5/16	33.3	36	33.3	46.1	36	27	4.5
E1LN 19X26 -R6ss	19 X 26	3/8	19	10.4	1-5/16	33.3	36	33.3	46.1	38	27	4.5
E1LN 19X26 -R8ss	19 X 26	1/2	19	12.7	1-5/16	33.3	36	33.3	46.1	42	27	4.5
E1LN 19X26 -R12ss	19 X 26	3/4	19	18.3	1-5/16	33.3	36	33.3	46.1	44	27	4.5
E1LN 19X26 -R16ss	19 X 26	1	19	22.5	1-5/16	33.3	36	33.3	46.1	46.7	27	4.5
E1LN 19X26 -R20ss	19 X 26	1-1/4	19	27.8	1-11/16	42.9	36	42.5	55.3	50.8	27	4.5
E1LN 19X26 -R24ss	19 X 26	1-1/2	19	34.0	2	50.8	36	46.5	59.3	60.5	27	4.5
E1LN 25X33 -R6ss	25 X 33	3/8	25	10.4	1-11/16	42.9	46	44.5	65.3	41	37.5	4.5
E1LN 25X33 -R8ss	25 X 33	1/2	25	12.7	1-11/16	42.9	46	44.5	65.3	46.8	37.5	4.5
E1LN 25X33 -R12ss	25 X 33	3/4	25	18.3	1-11/16	42.9	46	44.5	65.3	47	37.5	4.5
E1LN 25X33 -R16ss	25 X 33	1	25	22.5	1-11/16	42.9	46	44.5	65.3	47.8	37.5	4.5
E1LN 25X33 -R20ss	25 X 33	1-1/4	25	27.8	1-11/16	42.9	46	44.5	65.3	50.8	37.5	4.5
E1LN 32X41 -R12ss	32 X 41	3/4	31	18.3	2	50.8	55	50.8	76.9	54	44	6
E1LN 32X41 -R16ss	32 X 41	1	31	22.5	2	50.8	55	50.8	76.9	54.8	44	6
E1LN 32X41 -R20ss	32 X 41	1-1/4	31	27.8	2	50.8	55	50.8	76.9	60.5	44	6
E1LN 32X41 -R24ss	32 X 41	1-1/2	31	34.0	2	50.8	55	50.8	76.9	60.5	44	6

e1-Touch	E1LN	オスエルボ ANSI/NPT
-----------------	-------------	-----------------------



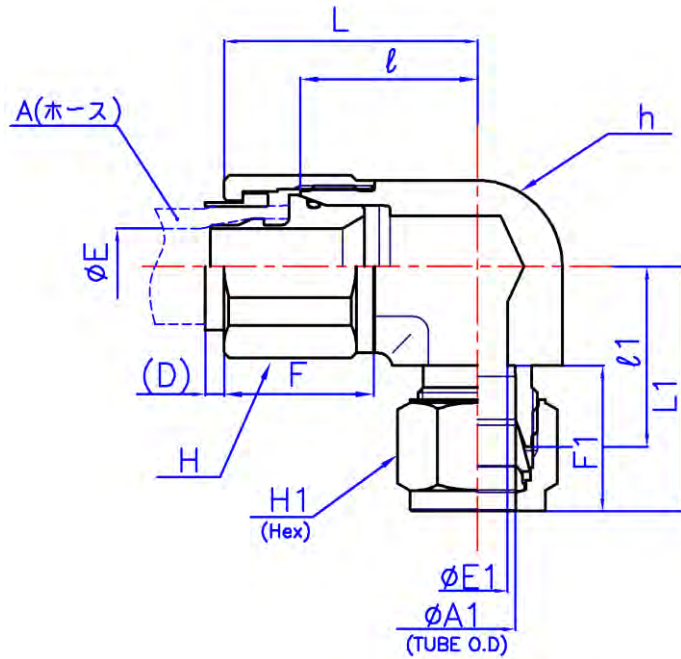
Part No.	A (Hose)	T (NPT)	E	E1	h (Flat)		H (Hex)	l	L	L1	F	(D)
	mm				inch	mm						
E1LN 6X11 -4ss	6 X 11	1/4	6	7.1	13/16	20.6	22	25	34.7	27.5	22	2
E1LN 6X11 -6ss	6 X 11	3/8	6	10.4	13/16	20.6	22	25	34.7	27.5	22	2
E1LN 6X11 -8ss	6 X 11	1/2	6	12.7	13/16	20.6	22	26.2	35.9	33.5	22	2
E1LN 8X13.5 -2ss	8 X 13.5	1/8	8	4.8	13/16	20.6	22	25	35.1	23.5	22	2
E1LN 8X13.5 -4ss	8 X 13.5	1/4	8	7.1	13/16	20.6	22	25	35.1	27.5	22	2
E1LN 8X13.5 -6ss	8 X 13.5	3/8	8	10.4	13/16	20.6	22	25	35.1	27.5	22	2
E1LN 8X13.5 -8ss	8 X 13.5	1/2	8	12.7	13/16	20.6	22	26.2	36.3	33.5	22	2
E1LN 9X15 -4ss	9 X 15	1/4	9	7.1	15/16	23.8	24	27	37.9	29.5	22.5	2.5
E1LN 9X15 -6ss	9 X 15	3/8	9	10.4	15/16	23.8	24	27	37.9	29.5	22.5	2.5
E1LN 10X16 -4ss	10 X 16	1/4	10	7.1	15/16	23.8	24	27	37.5	29.5	22.5	2.5
E1LN 10X16 -6ss	10 X 16	3/8	10	10.4	15/16	23.8	24	27	37.5	29.5	22.5	2.5
E1LN 10X16 -8ss	10 X 16	1/2	10	12.7	15/16	23.8	24	27	37.5	34	22.5	2.5
E1LN 12X18 -4ss	12 X 18	1/4	12	7.1	1-1/16	27.0	27	28.2	40.8	30.5	24	3
E1LN 12X18 -6ss	12 X 18	3/8	12	10.4	1-1/16	27.0	27	28.2	40.8	30.5	24	3
E1LN 12X18 -8ss	12 X 18	1/2	12	12.7	1-1/16	27.0	27	28.2	40.8	35.5	24	3
E1LN 12X18 -12ss	12 X 18	3/4	12	18.3	1-1/16	27.0	27	28.2	40.8	37.5	24	3
E1LN 15X22 -12ss	15 X 22	3/4	15	18.3	1-1/4	31.8	32	32.5	45.6	44	25	4
E1LN 19X26 -4ss	19 X 26	1/4	19	7.1	1-5/16	33.3	36	33.3	46.3	36	27	4.5
E1LN 19X26 -6ss	19 X 26	3/8	19	10.4	1-5/16	33.3	36	33.3	46.3	38	27	4.5
E1LN 19X26 -8ss	19 X 26	1/2	19	12.7	1-5/16	33.3	36	33.3	46.3	42	27	4.5
E1LN 19X26 -12ss	19 X 26	3/4	19	18.3	1-5/16	33.3	36	33.3	46.3	44	27	4.5
E1LN 19X26 -16ss	19 X 26	1	19	22.5	1-5/16	33.3	36	33.3	46.3	46.7	27	4.5

e1-Touch	E1LO	方向調整エルボ
----------	------	---------



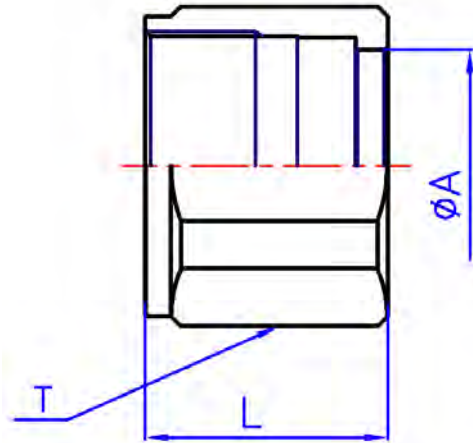
Part No.	A (Hose)	T (R)	E	E1	h (Flat)		h1 (Hex)		H (Hex)	l	l2	L	L1	F	(D)	Oリング JIS B 2401 4D-P※
	mm				mm	mm	mm	inch								
E1LO 6X11 -G4ss	6X11	1/4	6	6.4	13/16	20.6	3/4	19.05	22	26	9	36.1	35	22	2	11
E1LO 8X13.5 -G4ss	8X13.5	1/4	8	6.4	13/16	20.6	3/4	19.05	22	26	9	36.1	35	22	2	11
E1LO 9X15 -G4ss	9X15	1/4	9	6.4	1-1/16	27	3/4	19.05	24	28.2	9	38.8	37.5	22.5	2.5	11
E1LO 10X16 -G4ss	10X16	1/4	10	6.4	1-1/16	27	3/4	19.05	24	28.2	9	38.8	37.5	22.5	2.5	11
E1LO 12X18 -G8ss	12X18	1/2	12	12.0	1-1/16	27	1-1/16	26.99	27	28.2	15	40.3	46.5	24	3	18
E1LO 12X18 -G12ss	12X18	3/4	12	15.8	1-5/16	33.3	-	36	27	32.5	15	44.6	52.5	24	3	24
E1LO 15X22 -G8ss	15X22	1/2	15	12.0	1-5/16	33.3	1-1/16	26.99	32	32.5	15	45.6	50	25	4	18
E1LO 15X22 -G12ss	15X22	3/4	15	15.8	1-5/16	33.3	-	36	32	32.5	15	45.6	52.5	25	4	24
E1LO 19X26 -G6ss	19X26	3/8	19	7.9	1-5/16	33.3	-	22	36	33.3	11.5	46.1	45	27	4.5	14
E1LO 19X26 -G8ss	19X26	1/2	19	12.0	1-5/16	33.3	1-1/16	26.99	36	33.3	15	46.1	50	27	4.5	18
E1LO 19X26 -G12ss	19X26	3/4	19	15.8	1-5/16	33.3	-	36	36	33.3	15	46.1	52.5	27	4.5	24

e1-Touch	E1LRB	BI-Lok変換 径違いエルボ
-----------------	--------------	------------------------



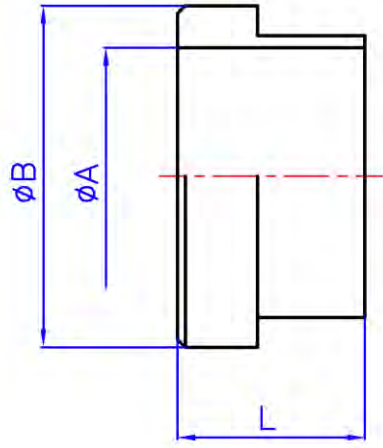
Part No.	A	A1		E	E1	h		H	H1		l	l1	L	L1	F	F1	(D)
	(Hose)	(Tube O.D.)				(Flat)			(Hex)								
	mm	inch	mm	mm	mm	mm	mm	mm	inch	mm	mm	mm	mm	mm	mm	mm	mm
E1LRB 6X11 -4ss	6X11	1/4	6.35	6	4.8	13/16	20.6	22	9/16	14.29	25	25	35.1	32.5	22	15.4	2
E1LRB 8X13.5 -6ss	8X13.5	3/8	9.53	8	7.1	13/16	20.6	22	11/16	17.46	25	25	35.1	32.5	22	17	2
E1LRB 8X13.5 -8ss	8X13.5	1/2	12.7	8	10.4	13/16	20.6	22	7/8	22.23	25	25	35.1	35.3	22	23	2
E1LRB 10X16 -12ss	10X16	3/4	19.05	10	15.8	1-1/16	27	24	1-1/8	28.58	28.2	28.2	38.8	38.5	22.5	24.6	2.5
E1LRB 12X18 -6ss	12X18	3/8	9.53	12	7.1	1-1/16	27	27	11/16	17.46	28.2	28.2	40.3	35.7	24	17	3
E1LRB 12X18 -8ss	12X18	1/2	12.7	12	10.4	1-1/16	27	27	7/8	22.23	28.2	28.2	40.3	38.5	24	23	3
E1LRB 12X18 -12ss	12X18	3/4	19.05	12	15.8	1-1/16	27	27	1-1/8	28.58	28.2	28.2	40.3	38.5	24	24.6	3
E1LRB 15X22 -8ss	15X22	1/2	12.7	15	10.4	1-1/4	31.8	32	7/8	22.23	32.5	32.5	45.6	42.8	25	23	4
E1LRB 15X22 -12ss	15X22	3/4	19.05	15	15.8	1-1/4	31.8	32	1-1/8	28.58	32.5	32.5	45.6	42.8	25	24.6	4
E1LRB 19X26 -6ss	19X26	3/8	9.53	19	7.1	1-5/16	33.3	36	11/16	17.46	33.3	33.3	46.1	40.8	27	17	4.5
E1LRB 19X26 -8ss	19X26	1/2	12.7	19	10.4	1-5/16	33.3	36	7/8	22.23	33.3	33.3	46.1	43.6	27	23	4.5
E1LRB 19X26 -12ss	19X26	3/4	19.05	19	15.8	1-5/16	33.3	36	1-1/8	28.58	33.3	33.3	46.1	43.6	27	24.6	4.5
E1LRB 19X26 -16ss	19X26	1	25.4	19	22.5	1-5/16	33.3	36	1-1/2	38.1	33.3	33.3	46.1	45.9	27	31.6	4.5

e1-Touch	E1NA	ナット
----------	------	-----



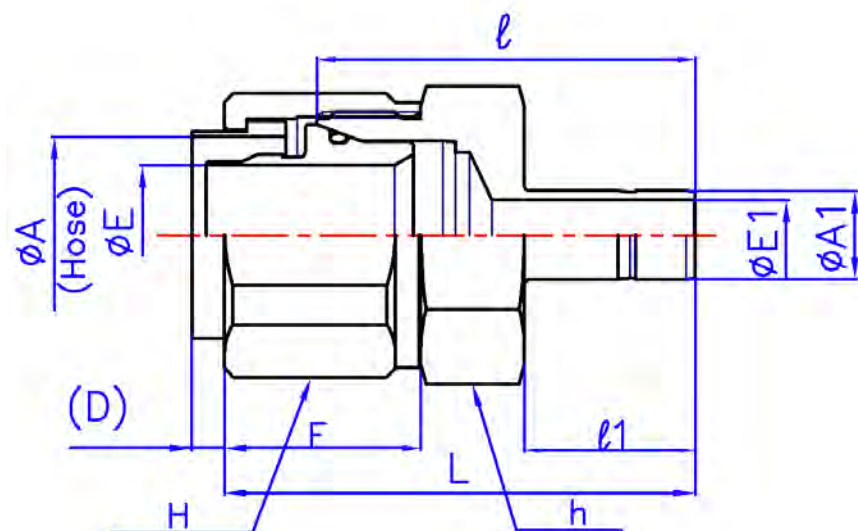
Part No.	A	T	H	L
	mm		(Hex) mm	
E1NA 6X11 ss	13.2	3/4-20UN	22	22
E1NA 8X13.5 ss	15.3	3/4-20UN	22	22
E1NA 9X15 ss	17.2	7/8-20UN	24	22.5
E1NA 10X16 ss	18.2	7/8-20UN	24	22.5
E1NA 12X18 ss	20.4	1-20UN	27	24
E1NA 15X22 ss	24.2	1-1/8-20UN	32	25
E1NA 19X25 ss	28.4	1-5/16-20UN	36	27
E1NA 19X26 ss	28.4	1-5/16-20UN	36	27
E1NA 25X32 ss	35.7	1-5/8-20UN	46	37.5
E1NA 25X33 ss	35.7	1-5/8-20UN	46	37.5
E1NA 32X41 ss	44.1	1-15/16-20UN	55	44

e1-Touch	E10S	スリーブ
----------	------	------



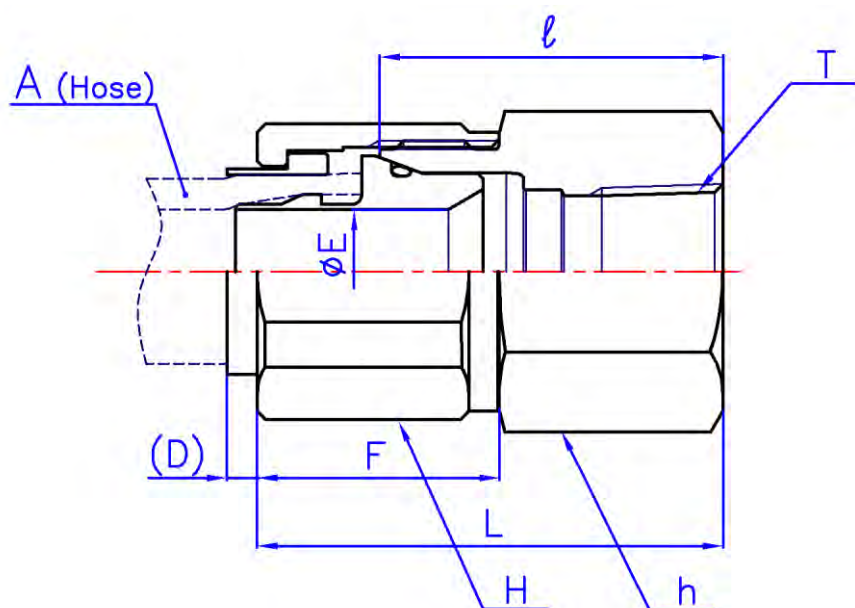
Part No.	A	B	L
	mm	mm	mm
E10S 6X11 ss	11.5	15.4	8
E10S 8X13.5 ss	14	17.4	8
E10S 9X15 ss	15.5	19.5	8.5
E10S 10X16 ss	16.5	20.3	8.5
E10S 12X18 ss	18.6	23	10
E10S 15X22 ss	22.6	26.9	12
E10S 19X25 ss	25.7	31	13
E10S 19X26 ss	26.7	31	13
E10S 25X32 ss	32.75	39	16
E10S 25X33 ss	33.75	39	16
E10S 32X41 ss	41.75	47.2	17.5

e1-Touch	E1RE	レギュレーター
-----------------	-------------	----------------



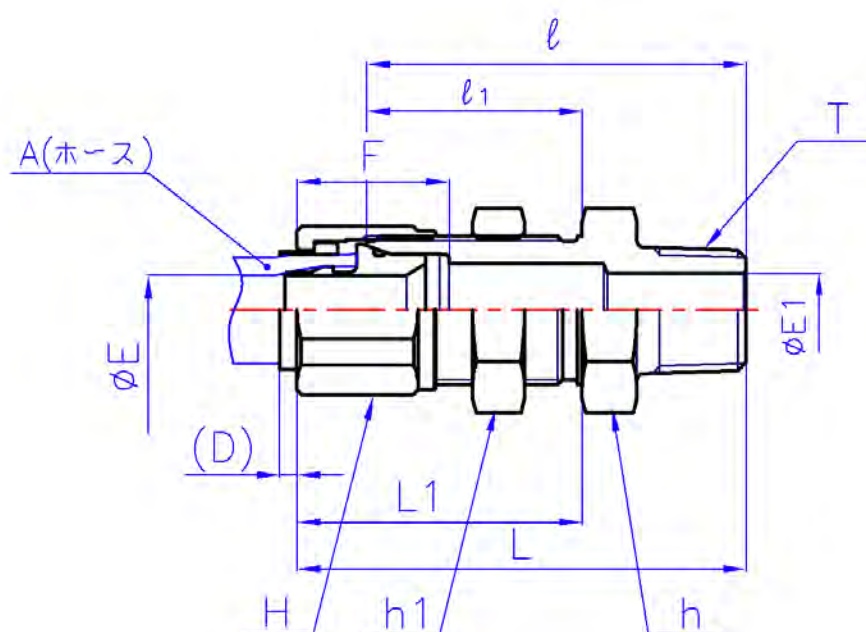
Part No.	A		A1		E	E1	h		H	l	l1	L	F	(D)
	(Hose)	(Tube O.D.)	(mm)	(inch)			(Hex)	(Hex)						
	mm	inch	mm	mm	mm	inch	mm	mm	mm	mm	mm	mm	mm	mm
E1RE 4X9 -2ss	4X9	1/8	3.18	4	2	5/8	15.88	17	31.5	14	41.1	21.5	2	
E1RE 4X9 -3ss	4X9	3/16	4.76	4	3	5/8	15.88	17	32.3	14.8	41.9	21.5	2	
E1RE 4X9 -4ss	4X9	1/4	6.35	4	4.8	5/8	15.88	17	34	16.5	43.6	21.5	2	
E1RE 4X9 -5ss	4X9	5/16	7.94	4	6.4	5/8	15.88	17	34.7	17.2	44.3	21.5	2	
E1RE 4X9 -6ss	4X9	3/8	9.53	4	7.1	5/8	15.88	17	35.5	18	45.1	21.5	2	
E1RE 4X9 -8ss	4X9	1/2	12.7	4	9.9	5/8	15.88	17	41	23.5	50.6	21.5	2	
E1RE 4X9 -10ss	4X9	5/8	15.88	4	12.7	11/16	17.46	17	42.9	25.2	52.5	21.5	2	
E1RE 4X9 -12ss	4X9	3/4	19.05	4	15	13/16	20.64	17	43	25.2	52.6	21.5	2	
E1RE 4X9 -14ss	4X9	7/8	22.23	4	17.3	15/16	23.81	17	46	27	55.6	21.5	2	
E1RE 4X9 -16ss	4X9	1	25.4	4	20.1	1-1/16	26.99	17	50	32.5	59.6	21.5	2	
E1RE 6x11 -4ss	6x11	1/4	6.35	6	4.8	13/16	20.64	22	35.5	16.5	45.6	22	2	
E1RE 6x11 -6ss	6x11	3/8	9.53	6	7.1	13/16	20.64	22	37	18	47.1	22	2	
E1RE 6x11 -8ss	6x11	1/2	12.7	6	9.9	13/16	20.64	22	42.5	23.5	52.6	22	2	
E1RE 6x11 -10ss	6x11	5/8	15.88	6	12.7	13/16	20.64	22	43.7	25.2	53.8	22	2	
E1RE 6x11 -12ss	6x11	3/4	19.05	6	15	13/16	20.64	22	43.7	25.2	53.8	22	2	
E1RE 6x11 -16ss	6x11	1	25.4	6	20.1	1-1/16	26.99	22	50	32.5	60.1	22	2	
E1RE 8x13.5 -4ss	8x13.5	1/4	6.35	8	4.8	13/16	20.64	22	35.5	16.5	45.6	22	2	
E1RE 8x13.5 -6ss	8x13.5	3/8	9.53	8	7.1	13/16	20.64	22	37	18	47.1	22	2	
E1RE 8x13.5 -8ss	8x13.5	1/2	12.7	8	9.9	13/16	20.64	22	42.5	23.5	52.6	22	2	
E1RE 8x13.5 -10ss	8x13.5	5/8	15.88	8	12.7	13/16	20.64	22	43.7	25.2	53.8	22	2	
E1RE 8x13.5 -12ss	8x13.5	3/4	19.05	8	15	13/16	20.64	22	43.7	25.2	53.8	22	2	
E1RE 8x13.5 -16ss	8x13.5	1	25.4	8	20.1	1-1/16	26.99	22	50	32.5	60.1	22	2	
E1RE 9x15 -8ss	9x15	1/2	12.7	9	9.9	15/16	23.81	24	43	23.5	53.6	22.5	2.5	
E1RE 9x15 -12ss	9x15	3/4	19.05	9	15	15/16	23.81	24	44.5	25.2	55.1	22.5	2.5	
E1RE 9x15 -14ss	9x15	7/8	22.23	9	17.3	15/16	23.81	24	46	27	56.6	22.5	2.5	
E1RE 9x15 -16ss	9x15	1	25.4	9	20.1	1-1/16	26.99	24	51.5	32.5	62.1	22.5	2.5	
E1RE 10x16 -8ss	10x16	1/2	12.7	10	9.9	15/16	23.81	24	43	23.5	53.6	22.5	2.5	
E1RE 10x16 -12ss	10x16	3/4	19.05	10	15	15/16	23.81	24	44.5	25.2	55.1	22.5	2.5	
E1RE 10x16 -14ss	10x16	7/8	22.23	10	17.3	15/16	23.81	24	46	27	56.6	22.5	2.5	
E1RE 10x16 -16ss	10x16	1	25.4	10	20.1	1-1/16	26.99	24	51.5	32.5	62.1	22.5	2.5	
E1RE 12x18 -4ss	12x18	1/4	6.35	12	4.8	1-1/16	26.99	27	37.9	16.5	50	24	3	
E1RE 12x18 -6ss	12x18	3/8	9.53	12	7.1	1-1/16	26.99	27	39.4	18	51.5	24	3	
E1RE 12x18 -8ss	12x18	1/2	12.7	12	9.9	1-1/16	26.99	27	45.5	23.5	57.6	24	3	
E1RE 12x18 -10ss	12x18	5/8	15.88	12	12.7	1-1/16	26.99	27	46	25.2	58.1	24	3	
E1RE 12x18 -12ss	12x18	3/4	19.05	12	15	1-1/16	26.99	27	46	25.2	58.1	24	3	
E1RE 12x18 -14ss	12x18	7/8	22.23	12	17.3	1-1/16	26.99	27	47	27	59.1	24	3	
E1RE 12x18 -16ss	12x18	1	25.4	12	20.1	1-1/16	26.99	27	52.5	32.5	64.6	24	3	
E1RE 15x22 -6ss	15x22	3/8	9.53	15	7.1	1-3/16	30.16	32	41.5	18	54.6	25	4	
E1RE 15x22 -8ss	15x22	1/2	12.7	15	9.9	1-3/16	30.16	32	47	23.5	60.1	25	4	
E1RE 15x22 -12ss	15x22	3/4	19.05	15	15	1-3/16	30.16	32	48.3	25.2	61.4	25	4	
E1RE 19x26 -8ss	19x26	1/2	12.7	19	9.9	1-3/8	34.93	36	51.5	23.5	64.3	27	4.5	
E1RE 19x26 -12ss	19x26	3/4	19.05	19	15	1-3/8	34.93	36	53.2	25.2	66	27	4.5	
E1RE 19x26 -14ss	19x26	7/8	22.23	19	17.3	1-3/8	34.93	36	53.2	27	66	27	4.5	
E1RE 19x26 -16ss	19x26	1	25.4	19	20.1	1-3/8	34.93	36	58.5	32.5	71.3	27	4.5	
E1RE 19x26 -20ss	19x26	1-1/4	31.75	19	27.8	1-3/8	34.93	36	68.3	43	81.1	27	4.5	
E1RE 25x33 -16ss	25x33	1	25.4	25	20.1	1-13/16	46	46	63.5	32.5	84.3	37.5	4.5	

e1-Touch	E1SA	メスコネクター
-----------------	-------------	----------------

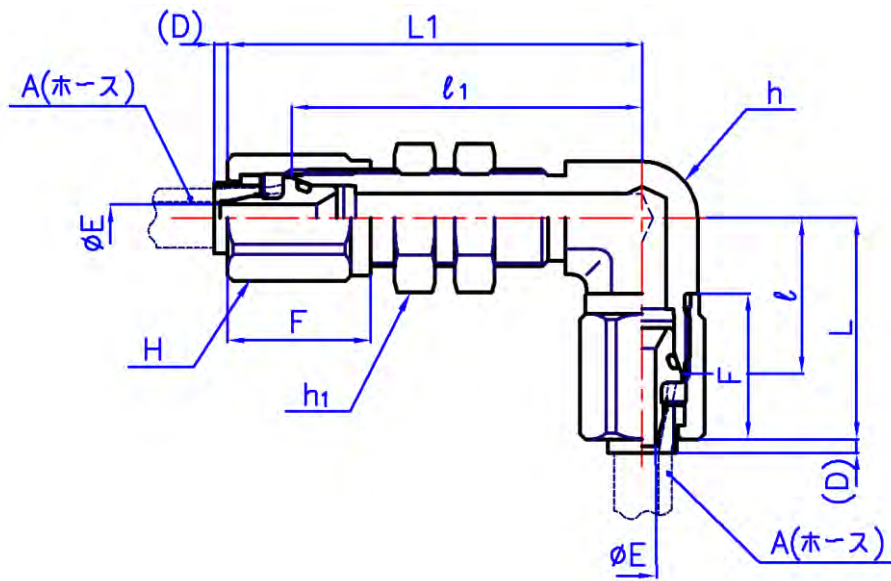


Part No.	A (Hose)	T (R)	E	h (Hex)		H (Hex)	l	L	F	(D)
	mm	inch	mm	inch	mm	mm	mm	mm	mm	mm
E1SA 6X11 -R4ss	6X11	1/4	6	13/16	20.64	22	31.9	42	22	2
E1SA 6X11 -R6ss	6X11	3/8	6	7/8	22.23	22	32.9	43	22	2
E1SA 6X11 -R8ss	6X11	1/2	6	1-1/16	26.99	22	36.6	46.7	22	2
E1SA 8X13.5 -R4ss	8X13.5	1/4	8	13/16	20.64	22	31.9	42	22	2
E1SA 8X13.5 -R6ss	8X13.5	3/8	8	7/8	22.23	22	32.9	43	22	2
E1SA 8X13.5 -R8ss	8X13.5	1/2	8	1-1/16	26.99	22	36.6	46.7	22	2
E1SA 9X15 -R4ss	9X15	1/4	9	15/16	23.81	24	31.9	42.5	22.5	2.5
E1SA 9X15 -R6ss	9X15	3/8	9	15/16	23.81	24	32	42.6	22.5	2.5
E1SA 9X15 -R8ss	9X15	1/2	9	1-1/16	26.99	24	36.6	47.2	22.5	2.5
E1SA 10X16 -R4ss	10X16	1/4	10	15/16	23.81	24	31.9	42.5	22.5	2.5
E1SA 10X16 -R6ss	10X16	3/8	10	15/16	23.81	24	32	42.6	22.5	2.5
E1SA 10X16 -R8ss	10X16	1/2	10	1-1/16	26.99	24	36.6	47.2	22.5	2.5
E1SA 12X18 -R4ss	12X18	1/4	12	1-1/16	26.99	27	31.8	43.9	24	3
E1SA 12X18 -R6ss	12X18	3/8	12	1-1/16	26.99	27	34	46.1	24	3
E1SA 12X18 -R8ss	12X18	1/2	12	1-1/16	26.99	27	36.6	48.7	24	3
E1SA 12X18 -R12ss	12X18	3/4	12	1-5/16	33.34	27	40.1	52.2	24	3
E1SA 15X22 -R6ss	15X22	3/8	15	1-1/4	31.75	32	36	49.1	25	4
E1SA 15X22 -R8ss	15X22	1/2	15	1-1/4	31.75	32	39	52.1	25	4
E1SA 15X22 -R12ss	15X22	3/4	15	1-5/16	33.34	32	41	54.1	25	4
E1SA 19X26 -R8ss	19X26	1/2	19	1-3/8	34.93	36	41.1	53.9	27	4.5
E1SA 19X26 -R12ss	19X26	3/4	19	1-3/8	34.93	36	42.1	54.9	27	4.5
E1SA 19X26 -R16ss	19X26	1	19	1-5/8	41.28	36	50	62.8	27	4.5
E1SA 32X41 -R12ss	32X41	3/4	32	2-1/8	54	55	51.5	77.6	44	6

e1-Touch	E1SC	隔壁オスコネクター
----------	------	-----------

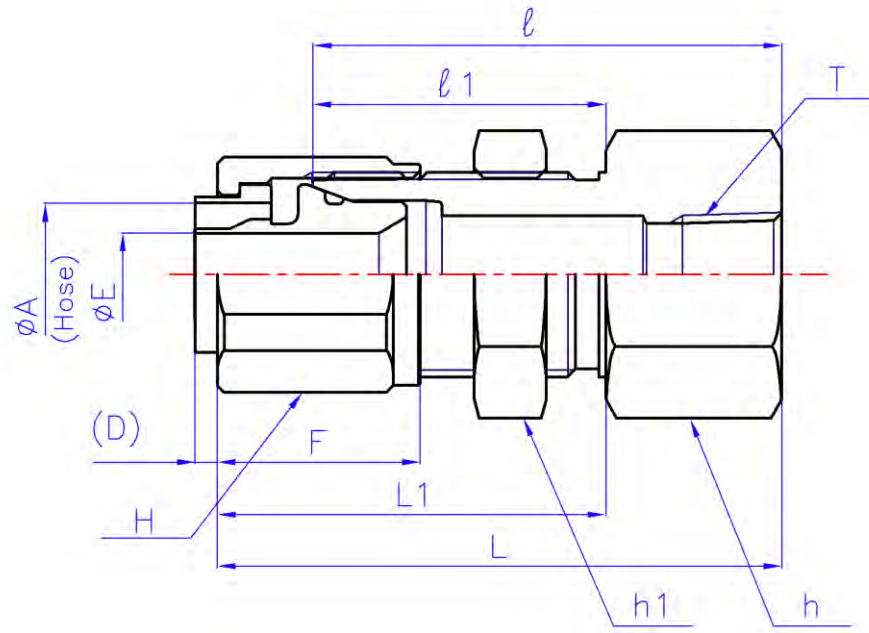


Part No.	A	T	E	E1	h		h1		H	l	l1	L	L1	F
	(Hose)	(R)	mm	mm	inch	mm	inch	mm	mm	mm	mm	mm	mm	mm
E1SC 6X11 -R4ss	6X11	1/4	6	7.1	15/16	23.81	15/16	23.81	22	53.4	32	63.5	42.1	22
E1SC 6X11 -R6ss	6X11	3/8	6	10.4	15/16	23.81	15/16	23.81	22	54	32	64.1	42.1	22
E1SC 6X11 -R8ss	6X11	1/2	6	10.4	15/16	23.81	15/16	23.81	22	58	32	68.1	42.1	22
E1SC 6X11 -R12ss	6X11	3/4	6	10.4	1-1/16	26.99	15/16	23.81	22	61.1	32	71.2	42.1	22
E1SC 8X13.5 -R4ss	8X13.5	1/4	8	7.1	15/16	23.81	15/16	23.81	22	53.4	32	63.5	42.1	22
E1SC 8X13.5 -R6ss	8X13.5	3/8	8	10.4	15/16	23.81	15/16	23.81	22	54	32	64.1	42.1	22
E1SC 8X13.5 -R8ss	8X13.5	1/2	8	10.4	15/16	23.81	15/16	23.81	22	58	32	68.1	42.1	22
E1SC 8X13.5 -R12ss	8X13.5	3/4	8	10.4	1-1/16	26.99	15/16	23.81	22	61.1	32	71.2	42.1	22
E1SC 10X16 -R6ss	10X16	3/8	10	10.4	1-1/16	26.99	1-1/16	26.99	24	55.6	32.5	66.2	43.1	22.5
E1SC 10X16 -R8ss	10X16	1/2	10	12.7	1-1/16	26.99	1-1/16	26.99	24	59.6	32.5	70.2	43.1	22.5
E1SC 12X18 -R8ss	12X18	1/2	12	12.7	1-3/16	30.16	1-3/16	30.16	27	65.8	37.3	77.9	49.4	24
E1SC 12X18 -R12ss	12X18	3/4	12	15.8	1-3/16	30.16	1-3/16	30.16	27	67.8	37.3	79.9	49.4	24
E1SC 19X26 -R12ss	19X26	3/4	19	18.3	1-5/8	41.28	1-5/8	41.28	36	78	45.2	90.8	58	27
E1SC 19X26 -R16ss	19X26	1	19	22.5	1-5/8	41.28	1-5/8	41.28	36	81	45.2	93.8	58	27

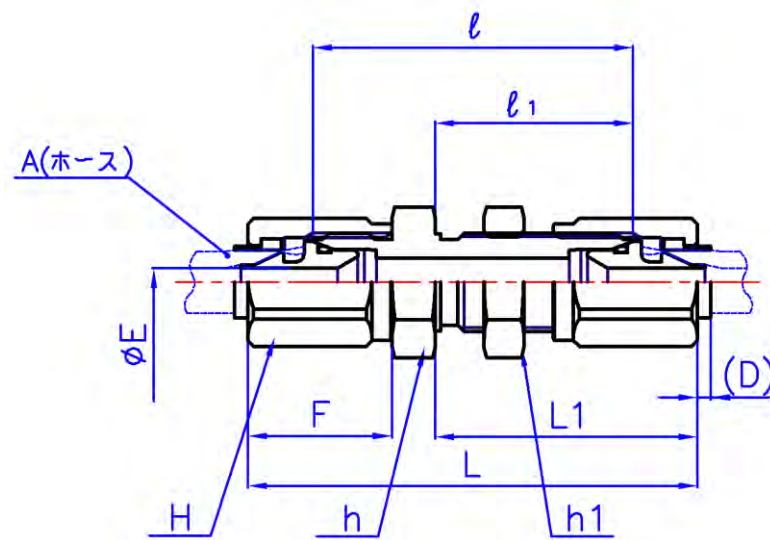


Part No.	A (Hose)	E	h (Flat)		h1 (Hex)		H (Hex)	l	l1	L	L1	F	(D)
	mm	mm	inch	mm	inch	mm	mm	mm	mm	mm	mm	mm	mm
E1SL 10X16 ss	10X16	10	15/16	23.8	1-1/16	26.99	24	27	61.5	37.6	72.1	22.5	2.5
E1SL 12X18 ss	12X18	12	1-1/16	26.99	1-3/16	30.16	27	28.2	68	40.3	80.1	24	3
E1SL 15X22 ss	15X22	15	1-1/4	31.75	1-3/8	34.93	32	32.5	78.6	45.6	91.7	25	4
E1SL 19X26 ss	19X26	19	1-3/8	34.93	1-5/8	41.28	36	33.3	81.2	46.1	94	27	4.5
E1SL 25X33 ss	25X33	25	1-11/16	42.86	1-7/8	47.63	46	44.5	95.5	65.3	116.3	37.5	4.5

e1-Touch	E1SS	隔壁メスコネクター
-----------------	-------------	------------------

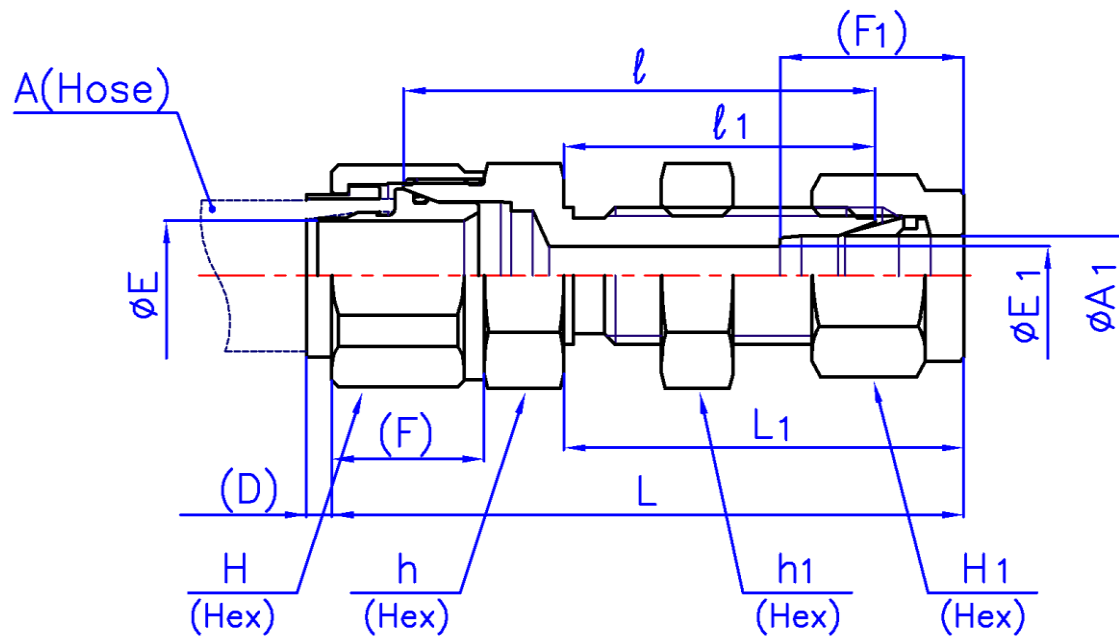


Part No.	A (Hose)	T (R)	E	h (Hex)		h1 (Hex)		H (Hex)	l	l_1	L	L1	F
	mm		mm	inch	mm	inch	mm	mm	mm	mm	mm	mm	mm
E1SS 8X13.5 -R6ss	8X13.5	3/8	8	15/16	23.81	15/16	23.81	22	52.5	32	62.6	42.1	22
E1SS 8X13.5 -R8ss	8X13.5	1/2	8	1-1/16	26.99	15/16	26.99	22	56.5	32	66.6	42.1	22
E1SS 9X15 -R4ss	9X15	1/4	9	1-1/16	26.99	1-1/16	26.99	24	52	32.5	62.6	43.1	22.5
E1SS 10X16 -R6ss	10X16	3/8	10	1-1/16	26.99	1-1/16	26.99	24	53.5	32.5	64.1	43.1	22.5
E1SS 10X16 -R12ss	10X16	3/4	10	1-5/16	33.34	1-1/16	26.99	24	61.5	32.5	72.1	43.1	22.5
E1SS 12X18 -R12ss	12X18	3/4	12	1-5/16	33.34	1-3/16	33.34	27	65.5	37.3	77.6	49.4	24
E1SS 15X22 -R6ss	15X22	3/8	15	1-3/8	34.93	1-3/8	34.93	32	64.2	42	77.3	55.1	25
E1SS 15X22 -R8ss	15X22	1/2	15	1-3/8	34.93	1-3/8	34.93	32	69.1	42	82.2	55.1	25

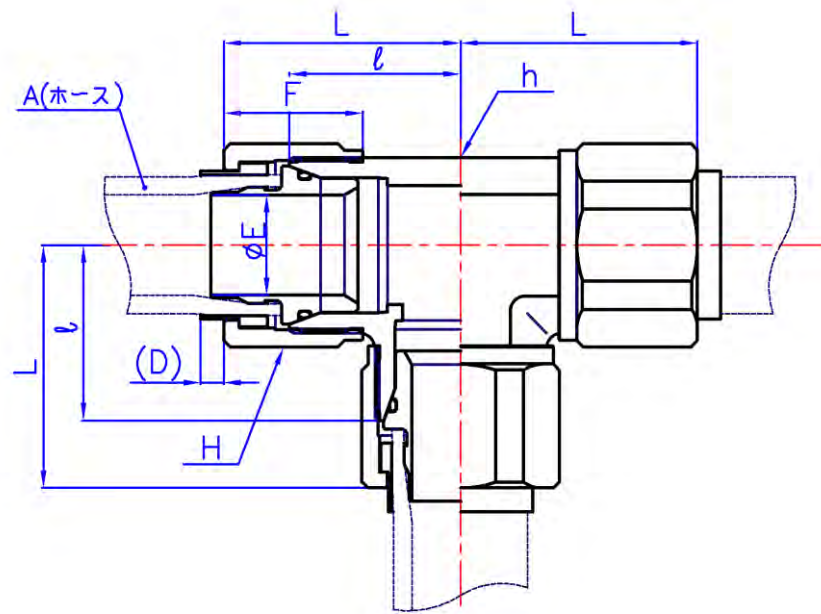


Part No.	A (Hose)	E	h (Hex)		h1 (Hex)		H (Hex)	ℓ	ℓ_1	L	L1	F	(D)
	mm	mm	inch	mm	inch	mm	mm	mm	mm	mm	mm	mm	mm
E1SU 4X9 ss	4X9	4	3/4	19.05	3/4	19.05	17	47.8	29.5	67	39.1	21.5	2
E1SU 6X11 ss	6X11	6	15/16	23.81	15/16	23.81	22	50.8	32	71	42.1	22	2
E1SU 8X13.5 ss	8X13.5	8	15/16	23.81	15/16	23.81	22	50.8	32	71	42.1	22	2
E1SU 9X15 ss	9X15	9	1-1/16	26.99	1-1/16	26.99	24	52.5	32.5	73.7	43.1	22.5	2.5
E1SU 10X16 ss	10X16	10	1-1/16	26.99	1-1/16	26.99	24	52.5	32.5	73.7	43.1	22.5	2.5
E1SU 12X18 ss	12X18	12	1-3/16	30.16	1-3/16	30.16	27	58.7	37.3	82.9	49.4	24	3
E1SU 15X22 ss	15X22	15	1-5/16	34.93	1-5/16	34.93	32	63.4	42	89.6	55.1	25	4
E1SU 19X26 ss	19X26	19	1-5/8	41.28	1-5/8	41.28	36	71.4	45.2	97	58	27	4.5
E1SU 25X33 ss	25X33	25	1-7/8	47.63	1-7/8	47.63	46	79	47.8	120.6	68.6	37.5	4.5
E1SU 32X41 ss	32X41	32	2-1/4	57.15	2-1/4	57.15	55	84.8	49.3	137	75.4	44	6

e1-Touch	E1SUY	BI-Lok変換隔壁ユニオン
-----------------	--------------	-----------------------

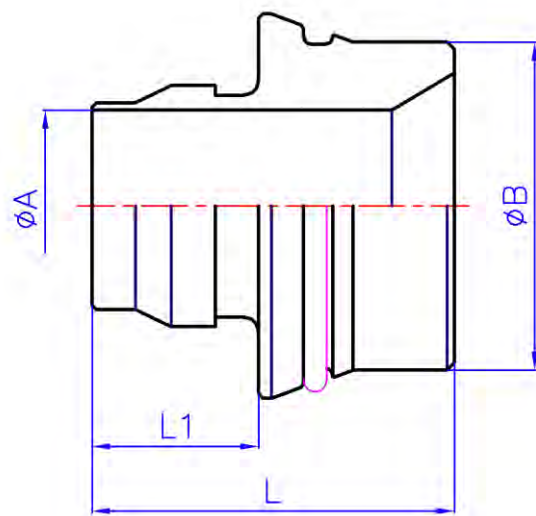


Part No.	A	A1		E	E1	h		h1		H	H1		l	l1	L
	(Hose)	(Tube O.D.)		mm	mm	(Hex)		(Hex)		(Hex)	(Hex)		mm	mm	mm
	mm	inch	mm	mm	mm	inch	mm	inch	mm	mm	inch	mm	mm	mm	mm
E1SUY 9X15 -6ss	9X15	3/8	9.53	9	7.1	1-1/16	26.99	3/4	19.05	24	11/16	17.46	49.5	29.5	67.6
E1SUY 12X18 -8ss	12X18	1/2	12.7	12	10.4	1-1/16	26.99	15/16	23.81	27	7/8	22.23	53.4	32	75.8
E1SUY 15X22 -8ss	15X22	1/2	12.7	15	10.4	1-3/16	30.16	15/16	23.81	32	7/8	22.23	55	32	78.4
E1SUY 15X22 -12ss	15X22	3/4	19.05	15	15.8	1-3/16	30.16	1-3/16	30.16	32	1-1/8	28.58	60.3	37.3	83.7
E1SUY 19X26 -12ss	19X26	3/4	19.05	19	15.8	1-3/8	34.93	1-3/16	30.16	36	1-1/8	28.58	62.7	37.3	85.8
E1SUY 19X26 -16ss	19X26	1	25.4	19	22.5	1-5/8	41.28	1-5/8	41.28	36	1-1/2	38.1	71.4	45.2	96.8
	L1	F	F1	(D)											
	mm	mm	mm	mm											
	37	22.5	17	2.5											
	42.3	24	23	3											
	42.3	25	23	4											
	47.6	25	24.6	4											
	47.6	27	24.6	4.5											
	57.8	27	31.6	4.5											

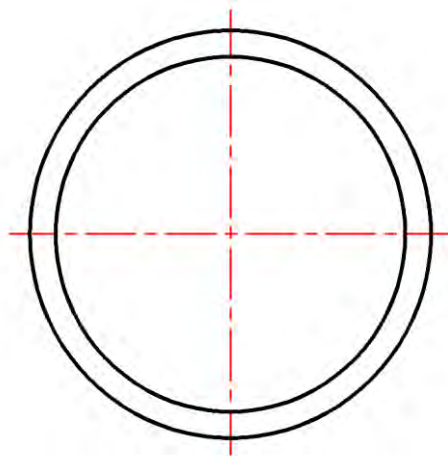


Part No.	A (Hose)	E	h (Flat)		H (Hex)	l	L	F	(D)
	mm	mm	inch	mm	mm	mm	mm	mm	mm
E1TA 6X11 ss	6X11	6	13/16	20.6	22	25	35.1	22.0	2.0
E1TA 8X13.5 ss	8X13.5	8	13/16	20.64	22	25	35.1	22.0	2.0
E1TA 9X15 ss	9X15	9	15/16	23.81	24	27	37.6	22.5	2.5
E1TA 10X16 ss	10X16	10	15/16	23.81	24	27	37.6	22.5	2.5
E1TA 12X18 ss	12X18	12	1-1/16	26.99	27	28.2	40.3	24.0	3.0
E1TA 15X22 ss	15X22	15	1-1/4	31.8	32	32.5	45.6	25.0	4.0
E1TA 19X26 ss	19X26	19	1-5/16	33.3	36	33.3	46.1	27.0	4.5
E1TA 25X33 ss	25X33	25	1-11/16	42.9	46	44.5	65.3	37.5	4.0

e1-Touch	E1TI	インサート
----------	------	-------

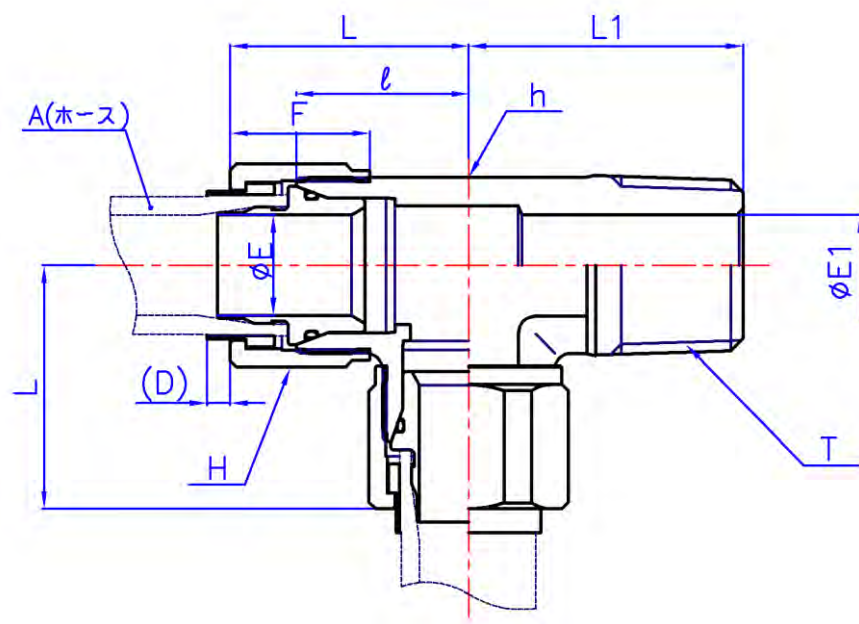


Part No.	A	B	L	L1	Oリング
	mm	mm	mm	mm	
E1TI 4X9 ss	4	9.53	17.5	9.5	S9
E1TI 6X11 ss	6	12.7	21	10.5	S12.5
E1TI 8X13.5 ss	8	12.7	21	10.5	S12.5
E1TI 9X15 ss	9	15.88	23.5	11.5	S15
E1TI 10X16 ss	10	15.88	23.5	11.5	S15
E1TI 12X18 ss	12	19.05	24.5	12.5	S18
E1TI 15X22 ss	15	22.23	27	13.5	S22
E1TI 19X26 ss	19	25.4	28.5	13.7	S25
E1TI 25X33 ss	25	31.75	36	18	S31.5
E1TI 32X41 ss	32	38.15	46	23	S39



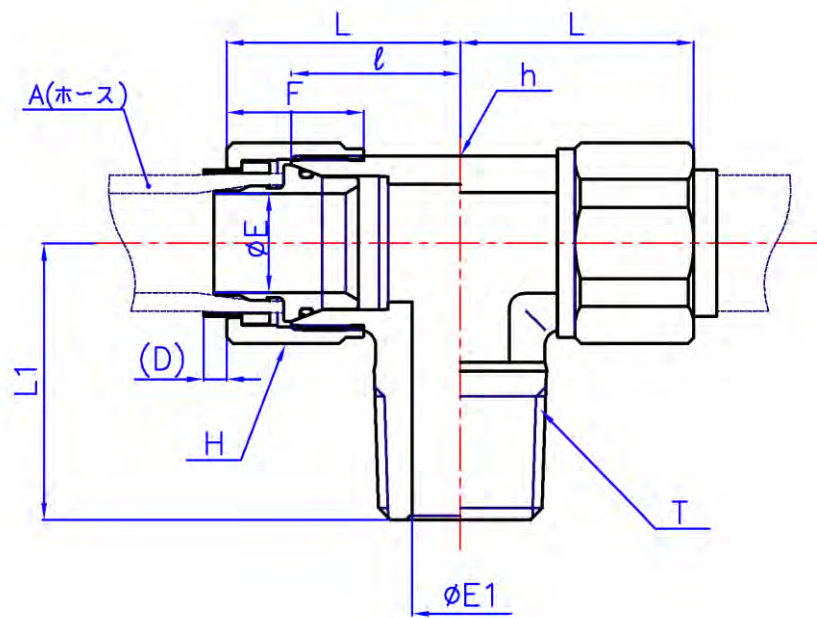
Part No.	A	Oリング
	mm	
E1TI 4X9 ss用Oリング	4	S9
E1TI 6X11 ss用Oリング	6	S12.5
E1TI 8X13.5 ss用Oリング	8	S12.5
E1TI 9X15 ss用Oリング	9	S15
E1TI 10X16 ss用Oリング	10	S15
E1TI 12X18 ss用Oリング	12	S18
E1TI 15X22 ss用Oリング	15	S22
E1TI 19X26 ss用Oリング	19	S25
E1TI 25X33 ss用Oリング	25	S31.5
E1TI 32X41 ss用Oリング	32	S39

e1-Touch	E1TK	オスランティ
----------	------	--------

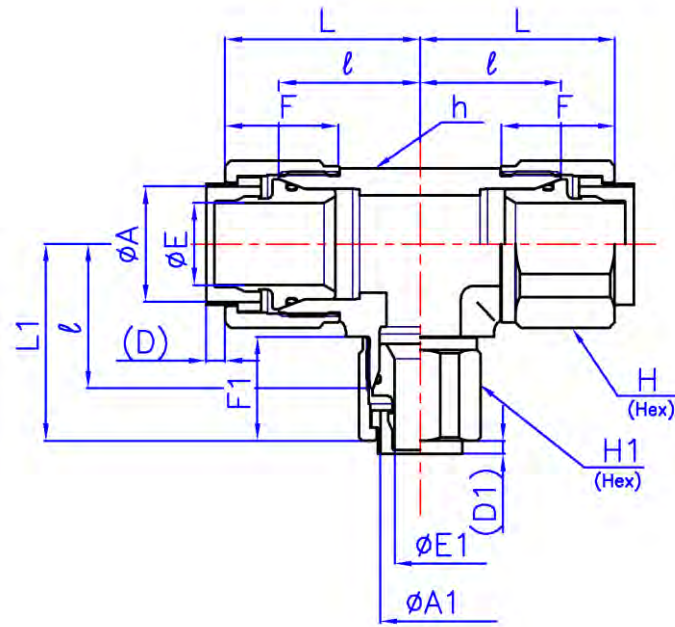


Part No.	A (Hose)	T (R)	E	E1	h (Flat)		H (Hex)	ℓ	L	L1	F	(D)
	mm		mm	mm	mm	inch	mm	mm	mm	mm	mm	mm
E1TK 8X13.5 -R6ss	8X13.5	3/8	8	10.4	13/16	20.6	22	25	35.1	27.5	22	2
E1TK 19X26 -R12ss	19X26	3/4	19	18.3	1-5/16	33.3	36	33.3	46.1	44	27	4.5
E1TK 19X26 -R16ss	19X26	1	19	22.5	1-5/16	33.3	36	33.3	46.1	46.7	27	4.5

e1-Touch	E1TN	オスブランチティー
-----------------	-------------	------------------

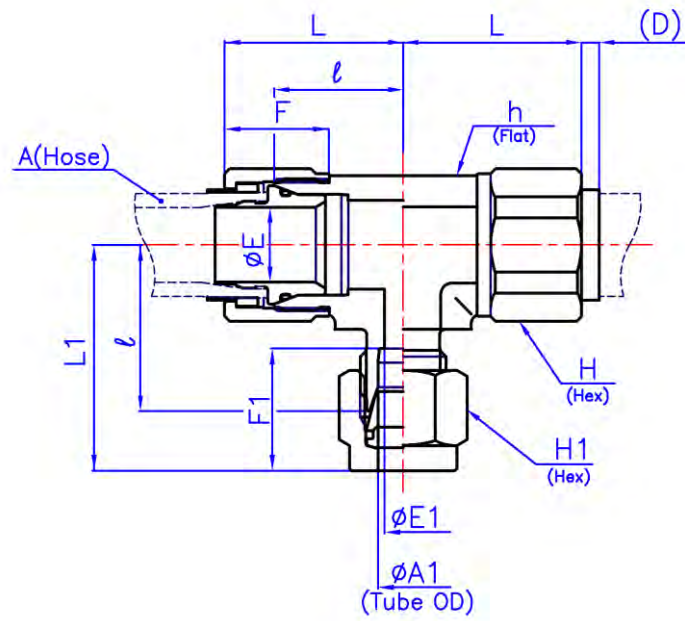


Part No.	A (Hose)	T (R)	E	E1	h (Flat)		H (Hex)	l	L	L1	F	(D)
	mm		mm	mm	mm	inch	mm	mm	mm	mm	mm	mm
E1TN 12X18 -R4ss	12X18	1/4	12	7.1	1-1/16	27	27	28.2	40.3	30.5	24	3
E1TN 12X18 -R6ss	12X18	3/8	12	10.4	1-1/16	27	27	28.2	40.3	32	24	3
E1TN 12X18 -R8ss	12X18	1/2	12	12.7	1-1/16	27	27	28.2	40.3	35.5	24	3
E1TN 12X18 -R12ss	12X18	3/4	12	18.3	1-1/16	27	27	28.2	40.3	37.5	24	3
E1TN 15X22 -R4ss	15X22	1/4	15	7.1	1-1/4	31.8	32	32.5	45.6	33	25	4
E1TN 15X22 -R6ss	15X22	3/8	15	10.4	1-1/4	31.8	32	32.5	45.6	34	25	4
E1TN 15X22 -R8ss	15X22	1/2	15	12.7	1-1/4	31.8	32	32.5	45.6	40	25	4
E1TN 15X22 -R12ss	15X22	3/4	15	18.3	1-1/4	31.8	32	32.5	45.6	42	25	4
E1TN 19X26 -R6ss	19X26	3/8	19	10.4	1-5/16	33.3	36	33.3	46.1	38	27	4.5
E1TN 19X26 -R16ss	19X26	1	19	22.5	1-5/16	33.3	36	33.3	46.1	46.7	27	4.5



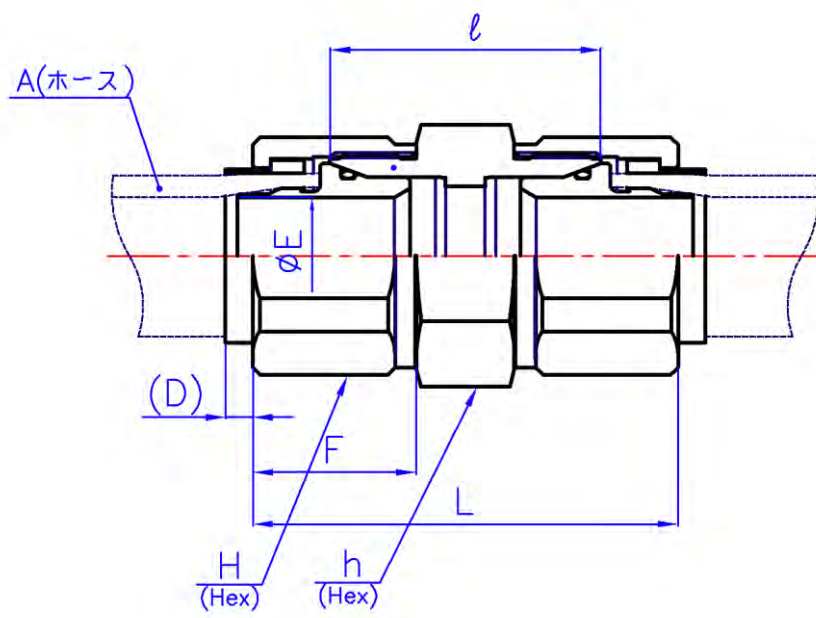
Part No.	A	A1	E	E1	h		H	H1	l	l1	L	L1	F	F1	(D)
	(Hose)	(Hose)			(Flat)	(Hex)									
E1TR 12X18-19X26 ss	12X18	19X26	12	19	1-5/16	33.3	27	36	33.3	45.4	46.1	24	27	3	4.5
E1TR 15X22-8X13.5 ss	15X22	8X13.5	15	8	1-1/4	31.8	32	22	32.5	45.6	42.6	25	22	4	2
E1TR 15X22-19X26 ss	15X22	19X26	15	19	1-5/16	33.3	32	36	33.3	46.4	46.1	25	27	4	4.5
E1TR 19X26-8X13.5 ss	19X26	8X13.5	19	8	1-5/16	33.3	36	22	33.3	46.1	43.4	27	22	4.5	2
E1TR 19X26-12X18 ss	19X26	12X18	19	12	1-5/16	33.3	36	27	33.3	46.1	45.4	27	24	4.5	3

e1-Touch	E1TY	BI-Lok変換 径違いティー
----------	------	-----------------



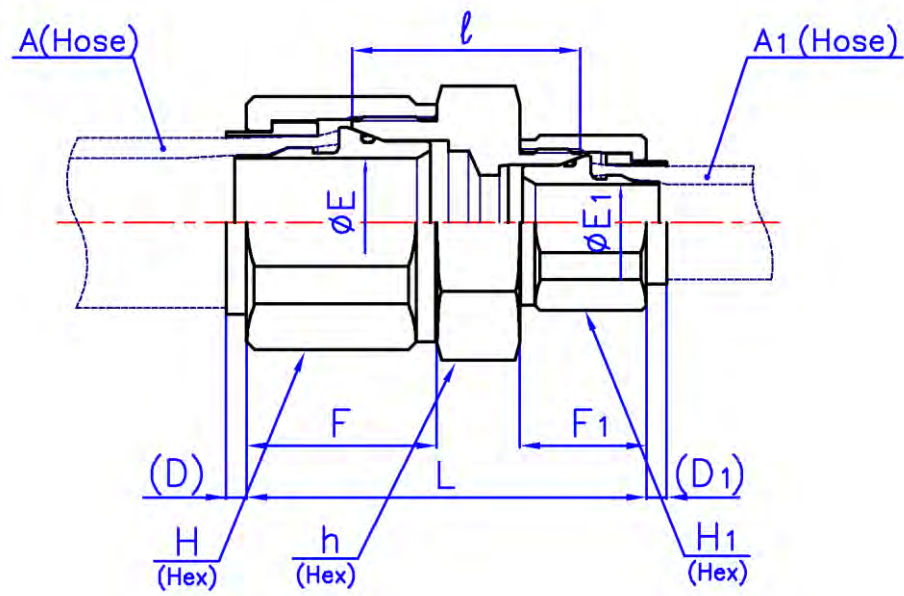
Part No.	A (Hose)		A1 (Hose)		E	E1	h (Flat)		H (Hex)	H1 (Hex)		l	L	L1	F	F1
	mm	inch	mm	mm	mm	mm	inch	mm	mm	inch	mm	mm	mm	mm	mm	mm
E1TY 15X22 -4ss ss	15X22	1/4	6.35	15	4.8	1-1/4	31.8	32	9/16	14.29	32.5	45.6	40	25	15.4	
E1TY 19X26 -6ss ss	19X26	3/8	9.53	19	7.1	1-5/16	33.3	36	11/16	17.46	33.3	46.1	40.8	27	17	
E1TY 19X26 -16ss ss	19X26	1	25.4	19	22.5	1-5/16	33.3	36	1-1/2	38.1	33.3	46.1	45.9	27	31.6	

e1-Touch	E1UA	ユニオン
----------	------	------



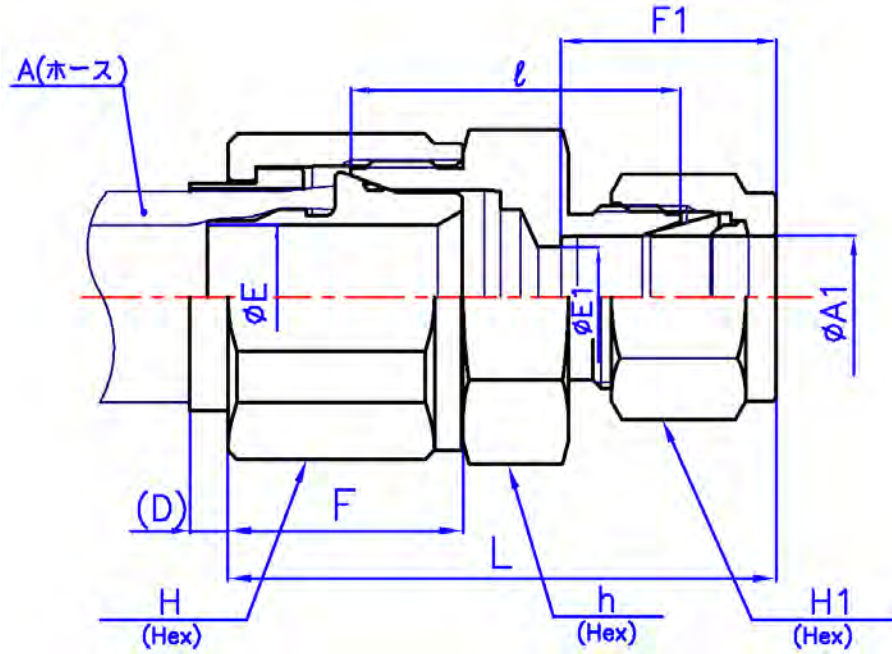
Part No.	A (Hose)	E	h (Hex)		H (Hex)	l	L	F	(D)
	mm	mm	O.D.	mm	mm	mm	mm	mm	mm
E1UA 4X9 ss	4X9	4	5/8	15.88	17	30.2	49.4	21.5	2
E1UA 6X11 ss	6X11	6	13/16	20.64	22	31	51.2	22	2
E1UA 8X13.5 ss	8X13.5	8	13/16	20.64	22	31	51.2	22	2
E1UA 9X15 ss	9X15	9	15/16	23.8	24	31.8	53	22.5	2.5
E1UA 10X16 ss	10X16	10	15/16	23.8	24	31.8	53	22.5	2.5
E1UA 12X18 ss	12X18	12	1-1/16	26.99	27	33.3	57.5	24	3
E1UA 15X22 ss	15X22	15	1-3/16	30.16	32	35	61.2	25	4
E1UA 19X26 ss	19X26	19	1-3/8	34.93	36	40.5	66.1	27	4.5
E1UA 25X33 ss	25X33	25	-	46	46	48	89.6	37.5	4

e1-Touch	E1UR	径違いユニオン
----------	------	---------



Part No.	A	A1	E	E1	h		H	H1	l	L	F	F1	(D)
	(Hose)	(Hose)			(Hex)								
	mm	inch	mm	mm	inch	mm	mm	inch	mm	mm	mm	mm	mm
E1UR 6X11 -4X9 ss	6X11	4X9	6	4	13/16	20.64	22	17	31	50.7	22	21.5	2
E1UR 8X13.5 -6X11 ss	8X13.5	6X11	8	6	13/16	20.64	22	22	31	51.2	22	22	2
E1UR 9X15 -8X13.5 ss	9X15	8X13.5	9	8	15/16	23.81	24	22	31.8	52.5	22.5	22	2.5
E1UR 10X16 -9X15 ss	10X16	9X15	10	9	15/16	23.81	24	24	31.8	53	22.5	22.5	2.5
E1UR 12X18 -10X16 ss	12X18	10X16	12	10	1-1/16	26.99	27	24	33.3	56	24	22.5	3
E1UR 15X22 -12X18 ss	15X22	12X18	15	12	1-3/16	30.16	32	27	35	60.2	25	24	4
E1UR 19X26 -12X18 ss	19X26	12X18	19	12	1-3/8	34.93	36	27	38.1	63	27	24	4.5
E1UR 19X26 -15X22 ss	19X26	15X22	19	15	1-3/8	34.93	36	32	44	69.9	27	25	4.5
E1UR 25X33 -15X22 ss	25X33	15X22	25	15	-	46	46	32	44.5	78.4	37.5	25	4
E1UR 25X33 -19X26 ss	25X33	19X26	25	19	-	46	46	36	47	80.6	37.5	27	4

e1-Touch	E1URB	BI-Lok径違いユニオン
-----------------	--------------	----------------------



Part No.	A		E	E1	h		H	H1		l	L	F	F1	(D)	
	(Hose)	(Tube O.D.)			(Hex)	(Hex)		(Hex)	(Hex)						
	mm	inch	mm	mm	inch	mm	mm	inch	mm	mm	mm	mm	mm	mm	
E1URB 4X9 -4 ss	4X9	1/4	6.35	4	4.8	5/8	15.88	17	9/16	14.29	28.4	45.5	21.5	15.4	2
E1URB 6X11 -2 ss	6X11	1/8	3.18	6	2.3	13/16	20.64	22	7/16	11.11	29	45.8	22	13	2
E1URB 6X11 -4 ss	6X11	1/4	6.35	6	4.8	13/16	20.64	22	9/16	14.29	29.5	47.1	22	15.4	2
E1URB 8X13.5 -4 ss	8X13.5	1/4	6.35	8	4.8	13/16	20.64	22	9/16	14.29	29.5	47.1	22	15.4	2
E1URB 8X13.5 -6 ss	8X13.5	3/8	9.53	8	7.1	13/16	20.64	22	11/16	17.46	31	48.6	22	17	2
E1URB 8X13.5 -8 ss	8X13.5	1/2	12.7	8	10.4	13/16	20.64	22	7/8	22.23	31	51.4	22	23	2
E1URB 9X15 -2 ss	9X15	1/8	3.18	9	2.3	15/16	23.81	24	7/16	11.11	29.8	47.1	22.5	13	2.5
E1URB 9X15 -3 ss	9X15	3/16	4.76	9	3	15/16	23.81	24	1/2	12.7	30	47.3	22.5	13.8	2.5
E1URB 9X15 -6 ss	9X15	3/8	9.53	9	7.1	15/16	23.81	24	11/16	17.46	31.8	49.9	22.5	17	2.5
E1URB 10X16 -6 ss	10X16	3/8	9.53	10	7.1	15/16	23.81	24	11/16	17.46	31.8	49.9	22.5	17	2.5
E1URB 10X16 -8 ss	10X16	1/2	12.7	10	10.4	15/16	23.81	24	7/8	22.23	31.8	52.7	22.5	23	2.5
E1URB 12X18 -6 ss	12X18	3/8	9.53	12	7.1	1-1/16	26.99	27	11/16	17.46	33.3	52.9	24	17	3
E1URB 12X18 -8 ss	12X18	1/2	12.7	12	10.4	1-1/16	26.99	27	7/8	22.23	33.3	55.7	24	23	3
E1URB 12X18 -12 ss	12X18	3/4	19.05	12	15.8	1-1/16	26.99	27	1-1/8	28.58	33.3	55.7	24	24.6	3
E1URB 15X22 -8 ss	15X22	1/2	12.7	15	10.4	1-3/16	30.16	32	7/8	22.23	35	58.4	25	23	4
E1URB 15X22 -12 ss	15X22	3/4	19.05	15	15.8	1-3/16	30.16	32	1-1/8	28.58	35	58.4	25	24.6	4
E1URB 19X26 -6 ss	19X26	3/8	9.53	19	7.1	1-3/8	34.93	36	11/16	17.46	39	59.2	27	17	4.5
E1URB 19X26 -8 ss	19X26	1/2	12.7	19	10.4	1-3/8	34.93	36	7/8	22.23	39.2	62.3	27	23	4.5
E1URB 19X26 -12 ss	19X26	3/4	19.05	19	15.8	1-3/8	34.93	36	1-1/8	28.58	38.1	61.2	27	24.6	4.5
E1URB 19X26 -16 ss	19X26	1	25.4	19	22.5	1-3/8	34.93	36	1-1/2	38.1	40.5	65.9	27	31.6	4.5
E1URB 25X32 -8 ss	25X32	1/2	12.7	25	10.4	-	46	46	7/8	22.23	43	74.1	37.5	23	4
E1URB 25X32 -12 ss	25X32	3/4	19.05	25	15.8	-	46	46	1-1/8	28.58	44	75.1	37.5	24.6	4
E1URB 25X32 -16 ss	25X32	1	25.4	25	22.5	-	46	46	1-1/2	38.1	47	80.4	37.5	31.6	4
E1URB 25X33 -8 ss	25X33	1/2	12.7	25	10.4	-	46	46	7/8	22.23	43	74.1	37.5	23	4
E1URB 25X33 -12 ss	25X33	3/4	19.05	25	15.8	-	46	46	1-1/8	28.58	44	75.1	37.5	24.6	4
E1URB 25X33 -16 ss	25X33	1	25.4	25	22.5	-	46	46	1-1/2	38.1	47	80.4	37.5	31.6	4

