

BI-Lok[®]

**ダブルフェルールタイプ
チューブ継手**

寸 法 表

**インチシリーズ
ステンレス鋼鋼管**

目次 1

14	DUA ユニオン	14	DUAZ ユニオン/ボアスルー	15	DUR 径違いユニオン
					
16	DURZ 径違いユニオン/ボアスルー	16	DSU 隔壁ユニオン	17	DSUZ 隔壁ユニオン/ボアスルー
					
17	DSUR 隔壁径違いユニオン	18	DCT おすコネクタ	20	DCTZ おすコネクタ/ボアスルー
					
21	DSC 隔壁おすコネクタ	22	DSCZ 隔壁おすコネクタ/ボアスルー	23	DCU 平行ねじリングシール おすコネクタ
					
24	DCUZ リングシール おすコネクタ/ボアスルー	25	DCO 平行ねじリングシール おすコネクタ	26	DCM 管用テーパねじ リングシールおすコネクタ
					
26	DCF 平行ねじリングシール おすコネクタ	27	DCQ 平行ねじボンデッドシール おすコネクタ	28	DCJ 平行ねじガスケットシール おすコネクタ
					

■本カタログの記載内容は、商品の改良等のため予告なく変更することがありますので、予めご了承下さい。


目次 2

28	DCG 平行ねじガスケットシール おすコネクタ	29	DUC ANユニオン	29	DUE AN隔壁ユニオン
					
30	DUD おすコネクタ /30° ホースアダプタ	30	DCW チューブさし込み溶接ユニオン	31	DCB おすパイプ溶接コネクタ
					
31	DCBZ おすパイプ溶接コネクタ /ボアスルー	31	DSA めすコネクタ	31	DSS 隔壁めすコネクタ
					
35	DGA ゲージコネクタ	35	DGB 隔壁ゲージコネクタ	36	DRE レデューサ
					
38	DREZ レデューサ / ボアスルー	38	DSE 隔壁レデューサ	39	DPC ポートコネクタ
					
39	DPC 径違いポートコネクタ	39	DCA キャップ	40	DBA プラグ
					

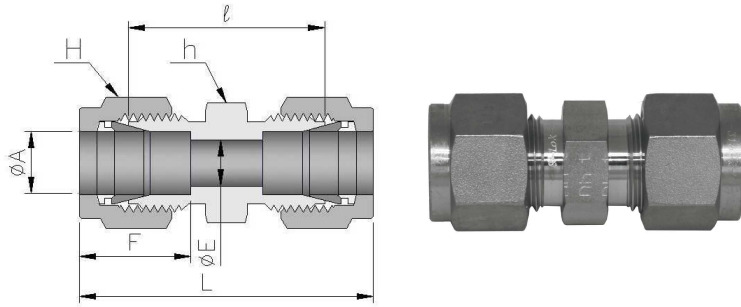
目次 3

<p>40 DLA ユニオンエルボ</p> 	<p>41 DLR 径違いユニオンエルボ</p> 	<p>41 DSL 隔壁ユニオンエルボ</p> 
<p>42 DLN おすエルボ</p> 	<p>43 DLO 方向調整おすエルボ</p> 	<p>43 DLH エルボアダプタ</p> 
<p>44 DLW チューブさし込み溶接エルボ</p> 	<p>44 DLB おすパイプ溶接エルボ</p> 	<p>45 DLF めすエルボ</p> 
<p>46 DTA ユニオンティー</p> 	<p>46 DTAZ ユニオンティー/ボアスルー</p> 	<p>47 DTR 径違いユニオンティー</p> 
<p>47 DTRZ 径違いユニオンティー /ボアスルー</p> 	<p>48 DTN おすブランチ・ティー</p> 	<p>49 DTK おすラン・ティー</p> 
<p>50 DTH めすブランチ・ティー</p> 	<p>51 DTF めすラン・ティー</p> 	<p>51 DXA クロス</p> 

目次 4

52	DHA おすアダプタ		53	DHQ 平行ねじボンデッドシール おすアダプタ		53	DHJ 平行ねじガスケットシール おすアダプタ	
54	DHO 平行ねじOリングシール おすアダプタ		54	DHB 平行ねじOリングシール おすアダプタ		55	DAH ホースアダプタ	
55	DAT ホースアダプタ		56	DAN ANアダプタ		56	DHC めすアダプタ	
57	DHF ゲージアダプタ		57	DHG ゲージアダプタ		58	DNA ナット	
58	DNN ロックナット		58	DOF フロントフェルール		59	DOB バックフェルール	
59	DTI インサート(鋸)							

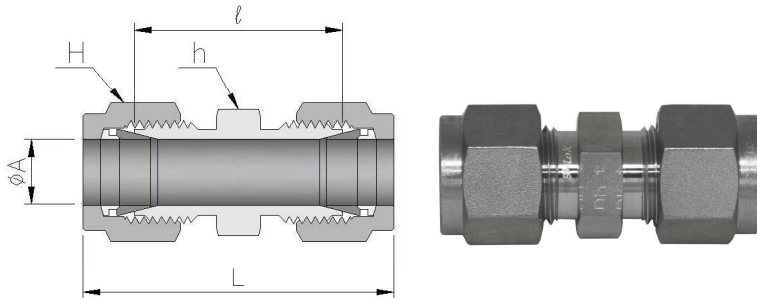
<i>Bl-Lok</i>	DUA	Union Connects fractional tubes
---------------	------------	---



H : See dimensional data(Last page)

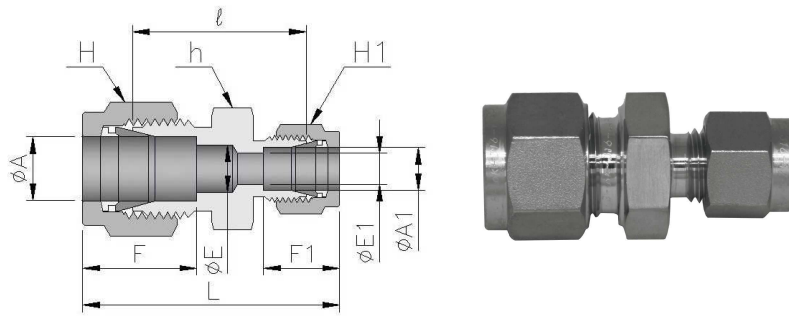
Part No.	A (Tube O. D.)		E	h (HEX)		l	L	F
	in	mm		in	mm			
DUA 1	1/16	1.59	1.3	5/16	7.94	17.5	25.5	8.9
DUA 2	1/8	3.18	2.3	7/16	11.11	22.4	35.8	13.0
DUA 3	3/16	4.76	3.0	7/16	11.11	24.0	37.4	13.8
DUA 4	1/4	6.35	4.8	1/2	12.7	26.1	41.1	15.4
DUA 5	5/16	7.94	6.4	9/16	14.29	28.0	43.0	16.3
DUA 6	3/8	9.53	7.1	5/8	15.88	30.2	45.2	17.0
DUA 8	1/2	12.7	10.4	13/16	20.64	31.0	51.6	23.0
DUA 10	5/8	15.88	12.7	15/16	23.81	31.8	52.4	24.6
DUA 12	3/4	19.05	15.8	1-1/16	26.99	33.3	53.9	24.6
DUA 14	7/8	22.23	18.3	1-3/16	30.16	35.0	55.9	26.1
DUA 16	1	25.4	22.5	1-3/8	34.93	40.5	65.7	31.6

<i>Bl-Lok</i>	DUAZ	Union / Bored-through Connects fractional tubes
---------------	-------------	---



Part No.	A (Tube O. D.)		h (HEX)		H (HEX)		l	L
	in	mm	in	mm	in	mm		
DUAZ 1	1/16	1.59	5/16	7.94	5/16	7.94	17.5	25.5
DUAZ 2	1/8	3.18	7/16	11.11	7/16	11.11	22.4	35.8
DUAZ 3	3/16	4.76	7/16	11.11	1/2	12.7	24.0	37.4
DUAZ 4	1/4	6.35	1/2	12.7	9/16	14.29	26.1	41.1
DUAZ 5	5/16	7.94	9/16	14.29	5/8	15.88	28.0	43.0
DUAZ 6	3/8	9.53	5/8	15.88	11/16	17.46	30.2	45.2
DUAZ 8	1/2	12.7	13/16	20.64	7/8	22.23	31.0	51.6
DUAZ 10	5/8	15.88	15/16	23.81	1	25.4	31.8	52.4
DUAZ 12	3/4	19.05	1-1/16	26.99	1-1/8	28.58	33.3	53.9
DUAZ 14	7/8	22.23	1-3/16	30.16	1-1/4	31.75	35.0	55.9
DUAZ 16	1	25.4	1-3/8	34.93	1-1/2	38.1	40.5	65.7

Bl-Lok	DUR	Reducing Union Connects fractional tubes
---------------	------------	---



H, H₁ : See dimensional data (Last page)

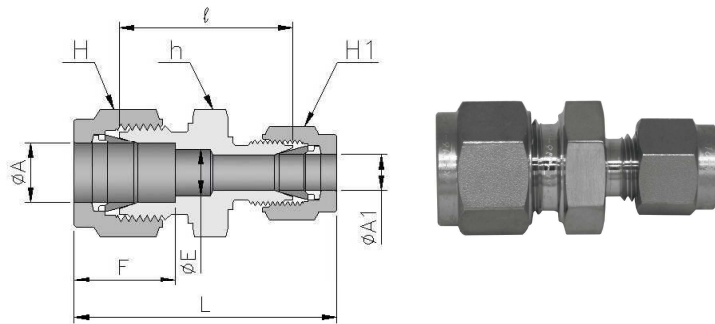
Part No	A (Tube O.D)		A ₁ (Tube O.D)		E	E ₁	h (HEX)		L	F	F ₁	
	in	mm	in	mm			in	mm				
DUR 2-1	1/8	3.18	1/16	1.59	2.3	1.3	7/16	11.11	20.6	31.3	13.0	8.9
DUR 3-1	3/16	4.76	1/16	1.59	3.0	1.3	7/16	11.11	21.6	32.3	13.8	8.9
DUR 3-2	3/16	4.76	1/8	3.18	3.0	2.3	7/16	11.11	23.4	36.8	13.8	13.0
DUR 4-1	1/4	6.35	1/16	1.59	4.8	1.3	1/2	12.7	23.1	34.6	15.4	8.9
DUR 4-2	1/4	6.35	1/8	3.18	4.8	2.3	1/2	12.7	24.6	38.8	15.4	13.0
DUR 4-3	1/4	6.35	3/16	4.76	4.8	3.0	1/2	12.7	25.4	39.6	15.4	13.8
DUR 5-4	5/16	7.94	1/4	6.35	6.4	4.8	9/16	14.29	27.4	42.4	16.3	15.4
DUR 6-1	3/8	9.53	1/16	1.59	7.1	1.3	5/8	15.88	25.4	36.9	17.0	8.9
DUR 6-2	3/8	9.53	1/8	3.18	7.1	2.3	5/8	15.88	27.0	41.2	17.0	13.0
DUR 6-4	3/8	9.53	1/4	6.35	7.1	4.8	5/8	15.88	28.4	43.4	17.0	15.4
DUR 6-5	3/8	9.53	5/16	7.94	7.1	6.4	5/8	15.88	29.5	44.5	17.0	16.3
DUR 8-4	1/2	12.7	1/4	6.35	10.4	4.8	13/16	20.64	29.5	47.3	23.0	15.4
DUR 8-6	1/2	12.7	3/8	9.53	10.4	7.1	13/16	20.64	31.0	48.8	23.0	17.0
DUR 10-6	5/8	15.88	3/8	9.53	12.7	7.1	15/16	23.81	31.8	49.6	24.6	17.0
DUR 10-8	5/8	15.88	1/2	12.7	12.7	10.4	15/16	23.81	31.8	52.4	24.6	23.0
DUR 12-6	3/4	19.05	3/8	9.53	15.8	7.1	1-1/16	26.99	33.3	51.1	24.6	17.0
DUR 12-8	3/4	19.05	1/2	12.7	15.8	10.4	1-1/16	26.99	33.3	53.9	24.6	23.0
DUR 12-10	3/4	19.05	5/8	15.88	15.8	12.7	1-1/16	26.99	33.3	53.9	24.6	24.6
DUR 16-12	1	25.4	3/4	19.05	22.5	15.8	1-3/8	34.93	38.1	61.0	31.6	24.6

Bl-Lok	DUR	Reducing Union Connects fractional tube to metric tube
---------------	------------	---

H, H₁ : See dimensional data (Last page)

Part No	A ₁ (Tube O.D)		A	E	E ₁	h (HEX)		L	F	F ₁	
	in	mm				in	mm				
DUR 2-4M	1/8	3.18	4	2.3	2.7	7/16	11.11	24.0	37.5	13.0	13.9
DUR 4-4M	1/4	6.35	4	4.8	2.7	1/2	12.7	27.0	41.3	15.4	13.9
DUR 4-6M	1/4	6.35	6	4.8	4.8	9/16	14.29	27.3	42.3	15.4	15.4
DUR 4-8M	1/4	6.35	8	4.8	6.4	11/16	17.46	28.6	43.6	15.4	16.3
DUR 4-10M	1/4	6.35	10	4.8	7.9	3/4	19.05	30.6	45.9	15.4	17.3
DUR 6-6M	3/8	9.53	6	7.1	4.8	5/8	15.88	28.4	43.3	17.0	15.4
DUR 6-8M	3/8	9.53	8	7.1	6.4	5/8	15.88	29.5	44.5	17.0	16.3
DUR 6-10M	3/8	9.53	10	7.1	7.9	3/4	19.05	32.0	47.3	17.0	17.3
DUR 6-12M	3/8	9.53	12	7.1	9.5	13/16	20.64	32.0	49.7	17.0	22.9
DUR 8-6M	1/2	12.7	6	10.4	4.8	13/16	20.64	30.5	48.3	23.0	15.4
DUR 8-10M	1/2	12.7	10	10.4	7.9	13/16	20.64	32.0	50.1	23.0	17.3
DUR 8-12M	1/2	12.7	12	10.4	9.5	13/16	20.64	32.0	52.5	23.0	22.9

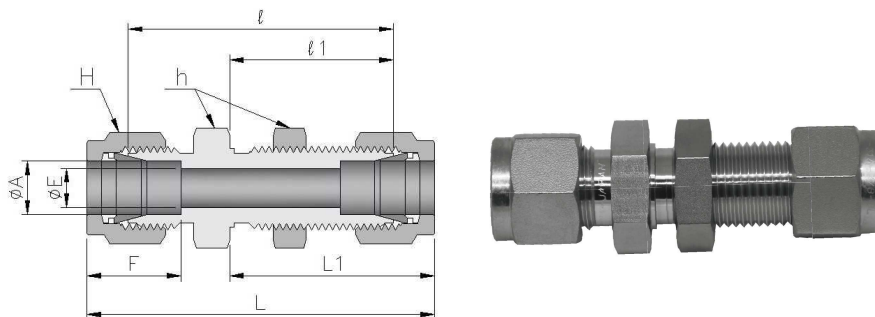
<i>BI-Lok</i>	DURZ	Reducing Union / Bored-through Connects fractional tubes
---------------	-------------	---



H, H₁ : See dimensional data (Last page)

Part No	A (Tube O. D)		A ₁ (Tube O. D)		E	h (HEX)		l	L	F
	in	mm	in	mm		in	mm			
DURZ 2-1	1/8	3.18	1/16	1.59	2.3	7/16	11.11	20.6	31.3	13.0
DURZ 4-1	1/4	6.35	1/16	1.59	4.8	1/2	12.7	23.1	34.6	15.4
DURZ 4-2	1/4	6.35	1/8	3.18	4.8	1/2	12.7	24.6	38.8	15.4
DURZ 6-4	3/8	9.53	1/4	6.35	7.1	5/8	15.88	28.4	43.4	17.0
DURZ 8-2	1/2	12.7	1/8	3.18	10.4	13/16	20.64	29.0	49.6	23.0

<i>BI-Lok</i>	DSU	Bulkhead Union Connects fractional tubes
---------------	------------	---



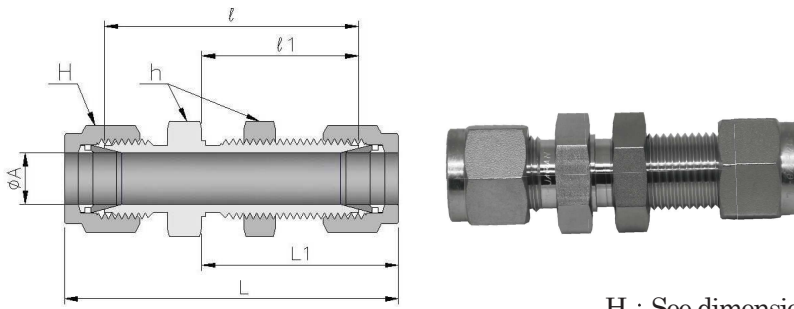
H : See dimensional data (Last page)

Part No.	A (Tube O. D)		E	h (HEX)		l	l ₁	L	L ₁	F	Panel	
	in	mm		in	mm						mm	mm
DSU 1	1/16	1.59	1.3	5/16	7.94	24.0	13.5	32.0	17.5	8.9	5.2	3.0
DSU 2	1/8	3.18	2.3	1/2	12.7	38.0	24.6	51.4	31.3	13.0	8.3	12.7
DSU 3	3/16	4.76	3.0	9/16	14.29	40.5	25.5	53.9	32.2	13.8	9.9	12.7
DSU 4	1/4	6.35	4.8	5/8	15.88	43.0	26.0	58.0	33.5	15.4	11.5	10.2
DSU 5	5/16	7.94	6.4	11/16	17.46	46.0	28.5	61.0	36.0	16.3	13.1	10.9
DSU 6	3/8	9.53	7.1	3/4	19.05	47.8	29.5	62.8	37.0	17.0	14.7	11.2
DSU 8	1/2	12.7	10.4	15/16	23.81	50.8	32.0	71.4	42.3	23.0	19.4	12.7
DSU 10	5/8	15.88	12.7	1-1/16	26.99	52.5	32.5	73.1	42.8	24.6	22.6	12.7
DSU 12	3/4	19.05	15.8	1-3/16	30.16	58.7	37.3	79.3	47.6	24.6	25.8	16.8
DSU 16	1	25.4	22.5	1-5/8	41.28	71.4	45.2	96.6	57.8	31.6	33.7	19.1

BI-Lok

DSUZ

**Bulkhead Union / Bored-through
Connects fractional tubes**



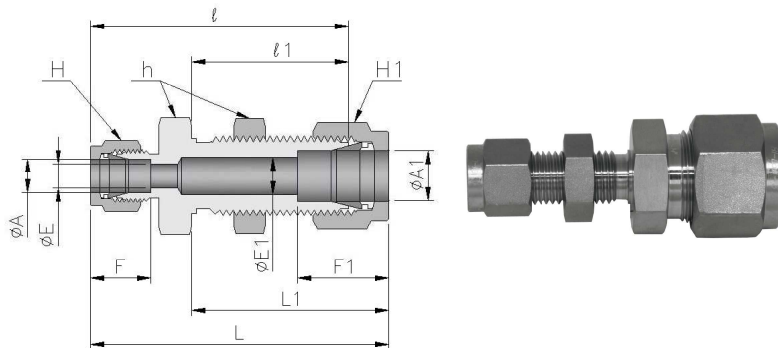
H : See dimensional data(Last page)

Part No.	A(Tube O. D)		h(HEX)		l	l ₁	L	L ₁	Panel	
	in	mm	in	mm					Hole	Thick
DSUZ 1	1/16	1.59	5/16	7.94	24.0	13.5	32.0	17.5	5.2	3.0
DSUZ 2	1/8	3.18	1/2	12.7	38.0	24.6	51.4	31.3	8.3	12.7
DSUZ 3	3/16	4.76	9/16	14.29	40.5	25.5	53.9	32.2	9.9	12.7
DSUZ 4	1/4	6.35	5/8	15.88	43.0	26.0	58.0	33.5	11.5	10.2
DSUZ 5	5/16	7.94	11/16	17.46	46.0	28.5	61.0	36.0	13.1	10.9
DSUZ 6	3/8	9.53	3/4	19.05	47.8	29.5	62.8	37.0	14.7	11.2
DSUZ 8	1/2	12.7	15/16	23.81	50.8	32.0	71.4	42.3	19.4	12.7
DSUZ 10	5/8	15.88	1-1/16	26.99	52.5	32.5	73.1	42.8	22.6	12.7
DSUZ 12	3/4	19.05	1-3/16	30.16	58.7	37.3	79.3	47.6	25.8	16.8
DSUZ 16	1	25.4	1-5/8	41.28	71.4	45.2	96.6	57.8	33.7	19.1

BI-Lok

DSUR

**Bulkhead Reducing Union
Connects fractional tubes**



Part No.	Panel	
	Hole	Thick
DSUR 2-4	11.5	10.2
DSUR 4-2	8.3	12.7
DSUR 4-6	14.7	11.2
DSUR 4-8	19.4	12.7
DSUR 6-4	11.5	10.2
DSUR 6-8	19.4	12.7
DSUR 8-4	11.5	10.2
DSUR 8-6	14.7	11.2
DSUR 8-12	25.8	16.8
DSUR 12-8	19.4	12.7

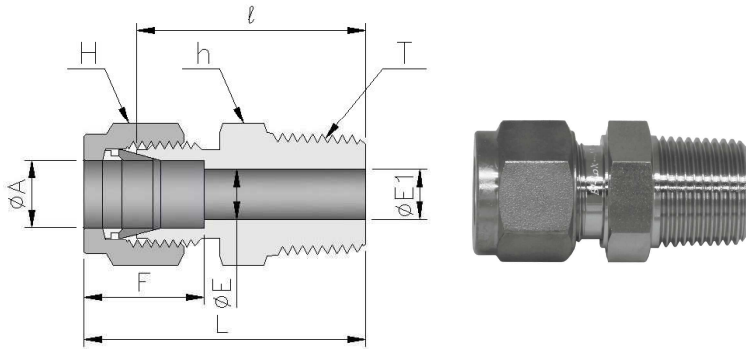
H, H₁ : See dimensional data(Last page)

Part No.	A(Tube O. D)		A ₁ (Tube O. D)		E	E ₁	h(HEX)		l	l ₁	L	L ₁	F	F ₁
	in	mm	in	mm			in	mm						
DSUR 2-4	1/8	3.18	1/4	6.35	2.3	4.8	5/8	15.88	41.6	26.0	55.8	33.5	13.0	15.4
DSUR 4-2	1/4	6.35	1/8	3.18	4.8	2.3	1/2	12.7	41.6	24.6	55.8	31.3	15.4	13.0
DSUR 4-6	1/4	6.35	3/8	9.53	4.8	7.1	3/4	19.05	46.0	29.5	61.0	37.0	15.4	17.0
DSUR 4-8	1/4	6.35	1/2	12.7	4.8	10.4	15/16	23.81	49.3	32.0	67.1	42.3	15.4	23.0
DSUR 6-4	3/8	9.53	1/4	6.35	7.1	4.8	5/8	15.88	44.0	26.0	59.0	33.5	17.0	15.4
DSUR 6-8	3/8	9.53	1/2	12.7	7.1	10.4	15/16	23.81	50.8	32.0	68.6	42.3	17.0	23.0
DSUR 8-4	1/2	12.7	1/4	6.35	10.4	4.8	13/16	20.64	44.8	26.0	62.6	33.5	23.0	15.4
DSUR 8-6	1/2	12.7	3/8	9.53	10.4	7.1	13/16	20.64	48.3	29.5	66.1	37.0	23.0	17.0
DSUR 8-12	1/2	12.7	3/4	19.05	10.4	15.8	1-3/16	30.16	58.7	37.3	79.3	47.6	23.0	24.6
DSUR 12-8	3/4	19.05	1/2	12.7	15.8	10.4	1-1/16	26.99	53.4	32.0	74.0	42.3	24.6	23.0

H, H₁ : See dimensional data(Last page)

Part No.	A(Tube O. D)		A ₁	E	E ₁	h(HEX)		l	l ₁	L	L ₁	F	F ₁	Panel	
	in	mm				in	mm							in	mm
DSUR 4-8M	1/4	6.35	8	4.8	6.4	3/4	19.05	45.6	28.5	60.6	36.0	15.4	16.3	13.1	11.4

<i>BI-Lok</i>	DCT	Male Connector Connects fractional tube to female tapered pipe thread
---------------	------------	--



H : See dimensional data(Last page)

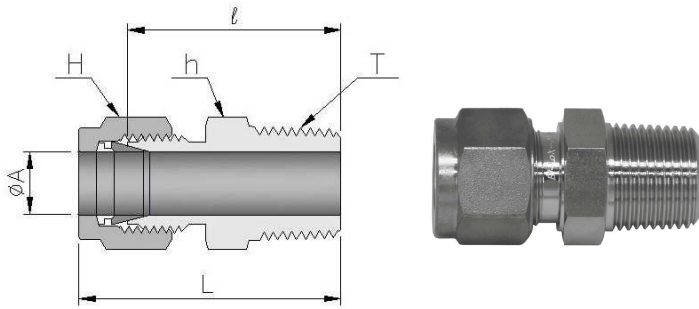
Part No.		A(Tube O.D)		T	E	E ₁	h(HEX)		I	L	F
ANSI NPT	ISO/JIS R	in	mm	NPT/R	mm	mm	in	mm	mm	mm	mm
DCT 1-1		1/16	1.59	1/16	1.3	3.0	5/16	7.94	20.0	24.0	8.9
DCT 1-2	DCT 1-R2	1/16	1.59	1/8	1.3	4.8	7/16	11.11	21.5	25.5	8.9
DCT 1-4	DCT 1-R4	1/16	1.59	1/4	1.3	7.1	9/16	14.29	26.9	30.9	8.9
	DCT 1-R6	1/16	1.59	3/8	1.3	10.4	11/16	17.46	28.8	32.8	8.9
DCT 2-1		1/8	3.18	1/16	2.3	3.0	7/16	11.11	23.1	29.8	13.0
DCT 2-2	DCT 2-R2	1/8	3.18	1/8	2.3	4.8	7/16	11.11	23.1	29.8	13.0
DCT 2-4		1/8	3.18	1/4	2.3	7.1	9/16	14.29	28.5	35.2	13.0
	DCT 2-R4	1/8	3.18	1/4	2.3	4.8	9/16	14.29	28.5	35.2	13.0
DCT 2-6	DCT 2-R6	1/8	3.18	3/8	2.3	10.4	11/16	17.46	29.4	36.1	13.0
DCT 2-8	DCT 2-R8	1/8	3.18	1/2	2.3	12.7	7/8	22.23	35.0	41.7	13.0
DCT 3-2	DCT 3-R2	3/16	4.76	1/8	3.0	3.0	7/16	11.11	24.0	30.7	13.8
DCT 3-4	DCT 3-R4	3/16	4.76	1/4	3.0	3.0	9/16	14.29	29.5	36.2	13.8
DCT 3-6		3/16	4.76	3/8	3.0	3.0	11/16	17.46	30.0	36.7	13.8
DCT 3-8		3/16	4.76	1/2	3.0	12.7	7/8	22.23	35.8	42.5	13.8
DCT 4-1		1/4	6.35	1/16	4.8	3.0	1/2	12.7	25.4	32.9	15.4
DCT 4-2	DCT 4-R2	1/4	6.35	1/8	4.8	4.8	1/2	12.7	25.4	32.9	15.4
DCT 4-4	DCT 4-R4	1/4	6.35	1/4	4.8	4.8	9/16	14.29	30.3	37.8	15.4
DCT 4-6		1/4	6.35	3/8	4.8	4.8	11/16	17.46	31.0	38.5	15.4
	DCT 4-R6	1/4	6.35	3/8	4.8	4.8	11/16	17.46	32.0	39.5	15.4
DCT 4-8	DCT 4-R8	1/4	6.35	1/2	4.8	4.8	7/8	22.23	36.6	44.1	15.4
DCT 4-12		1/4	6.35	3/4	4.8	4.8	1-1/16	26.99	37.4	44.9	15.4
	DCT 4-R12	1/4	6.35	3/4	4.8	4.8	1-1/16	26.99	39.4	46.9	15.4
DCT 4-16		1/4	6.35	1	4.8	4.8	1-3/8	34.93	46.0	53.5	15.4
DCT 5-2	DCT 5-R2	5/16	7.94	1/8	6.4	4.8	9/16	14.29	26.7	34.2	16.3
DCT 5-4	DCT 5-R4	5/16	7.94	1/4	6.4	6.4	9/16	14.29	31.3	38.8	16.3
DCT 5-6		5/16	7.94	3/8	6.4	6.4	11/16	17.46	31.8	39.3	16.3
	DCT 5-R6	5/16	7.94	3/8	6.4	6.4	11/16	17.46	32.8	40.3	16.3
DCT 5-8	DCT 5-R8	5/16	7.94	1/2	6.4	6.4	7/8	22.23	37.3	44.8	16.3
DCT 5-12		5/16	7.94	3/4	6.4	6.4	1-1/16	26.99	38.2	45.7	16.3
DCT 6-2	DCT 6-R2	3/8	9.53	1/8	7.1	4.8	5/8	15.88	27.7	35.2	17.0
DCT 6-4	DCT 6-R4	3/8	9.53	1/4	7.1	7.1	5/8	15.88	32.5	40.0	17.0
DCT 6-6		3/8	9.53	3/8	7.1	7.1	11/16	17.46	32.5	40.0	17.0
	DCT 6-R6	3/8	9.53	3/8	7.1	7.1	11/16	17.46	33.5	41.0	17.0
DCT 6-8	DCT 6-R8	3/8	9.53	1/2	7.1	7.1	7/8	22.23	38.1	45.6	17.0
DCT 6-12		3/8	9.53	3/4	7.1	7.1	1-1/16	26.99	39.0	46.5	17.0
	DCT 6-R12	3/8	9.53	3/4	7.1	7.1	1-1/16	26.99	41.0	48.5	17.0

Part No.		A (Tube O. D)		T	E	E ₁	h (HEX)		I	L	F
ANSI NPT	ISO/JIS R	in	mm	NPT/R	mm	mm	in	mm	mm	mm	mm
DCT 8-2	DCT 8-R2	1/2	12.7	1/8	10.4	4.8	13/16	20.64	28.4	38.7	23.0
DCT 8-4	DCT 8-R4	1/2	12.7	1/4	10.4	7.1	13/16	20.64	33.3	43.6	23.0
DCT 8-6		1/2	12.7	3/8	10.4	10.4	13/16	20.64	33.3	43.6	23.0
	DCT 8-R6	1/2	12.7	3/8	10.4	10.4	13/16	20.64	34.3	44.6	23.0
DCT 8-8	DCT 8-R8	1/2	12.7	1/2	10.4	10.4	7/8	22.23	38.1	48.4	23.0
DCT 8-12		1/2	12.7	3/4	10.4	10.4	1-1/16	26.99	39.0	49.3	23.0
	DCT 8-R12	1/2	12.7	3/4	10.4	10.4	1-1/16	26.99	41.0	51.3	23.0
DCT 8-16		1/2	12.7	1	10.4	10.4	1-3/8	34.93	47.6	57.9	23.0
	DCT 10-R2	5/8	15.88	1/8	12.7	4.8	15/16	23.81	30.0	40.3	24.6
DCT 10-4	DCT 10-R4	5/8	15.88	1/4	12.7	7.1	15/16	23.81	34.0	44.3	24.6
DCT 10-6		5/8	15.88	3/8	12.7	10.4	15/16	23.81	34.0	44.3	24.6
	DCT 10-R6	5/8	15.88	3/8	12.7	10.4	15/16	23.81	35.0	45.3	24.6
DCT 10-8	DCT 10-R8	5/8	15.88	1/2	12.7	12.7	15/16	23.81	39.0	49.3	24.6
DCT 10-12		5/8	15.88	3/4	12.7	12.7	1-1/16	26.99	38.9	49.2	24.6
	DCT 10-R12	5/8	15.88	3/4	12.7	12.7	1-1/16	26.99	40.9	51.2	24.6
DCT 12-4	DCT 12-R4	3/4	19.05	1/4	15.8	7.1	1-1/16	26.99	35.4	45.7	24.6
DCT 12-6		3/4	19.05	3/8	15.8	10.4	1-1/16	26.99	35.4	45.7	24.6
	DCT 12-R6	3/4	19.05	3/8	15.8	10.4	1-1/16	26.99	36.4	46.7	24.6
DCT 12-8	DCT 12-R8	3/4	19.05	1/2	15.8	12.7	1-1/16	26.99	40.4	50.7	24.6
DCT 12-12		3/4	19.05	3/4	15.8	15.8	1-1/16	26.99	40.4	50.7	24.6
	DCT 12-R12	3/4	19.05	3/4	15.8	15.8	1-1/16	26.99	42.4	52.7	24.6
DCT 12-16	DCT 12-R16	3/4	19.05	1	15.8	15.8	1-3/8	34.93	47.6	57.9	24.6
DCT 14-8	DCT 14-R8	7/8	22.23	1/2	18.3	12.7	1-3/16	30.16	40.4	50.6	26.1
DCT 14-12		7/8	22.23	3/4	18.3	18.3	1-3/16	30.16	40.4	50.6	26.1
	DCT 14-R12	7/8	22.23	3/4	18.3	18.3	1-3/16	30.16	42.4	52.6	26.1
DCT 14-16	DCT 14-R16	7/8	22.23	1	18.3	18.3	1-3/8	34.93	47.6	57.8	26.1
	DCT 16-R6	1	25.4	3/8	22.5	9.0	1-3/8	34.93	43.5	56.1	31.6
DCT 16-8	DCT 16-R8	1	25.4	1/2	22.5	12.7	1-3/8	34.93	45.0	57.6	31.6
DCT 16-12		1	25.4	3/4	22.5	18.3	1-3/8	34.93	45.0	57.6	31.6
	DCT 16-R12	1	25.4	3/4	22.5	18.3	1-3/8	34.93	47.0	59.6	31.6
DCT 16-16	DCT 16-R16	1	25.4	1	22.5	22.5	1-3/8	34.93	50.0	62.6	31.6

BI-Lok

DCTZ

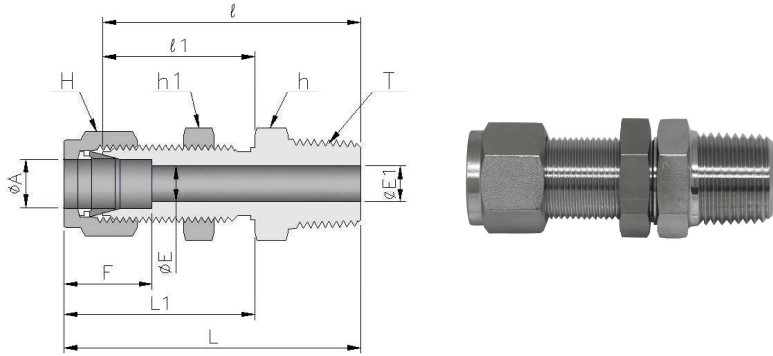
Male Connector / Bored-through
Connects fractional tube to female tapered pipe thread



H : See dimensional data(Last page)

Part No.		A (Tube O. D)		T	h (HEX)		I	L
ANSI NPT	ISO/JIS R	in	mm	NPT/R	in	mm	mm	mm
DCTZ 1-1		1/16	1.59	1/16	5/16	7.94	20.0	24.0
DCTZ 1-2	DCTZ 1-R2	1/16	1.59	1/8	7/16	11.11	21.5	25.5
DCTZ 1-4	DCTZ 1-R4	1/16	1.59	1/4	9/16	14.29	26.9	30.9
DCTZ 2-1		1/8	3.18	1/16	7/16	11.11	23.1	29.8
DCTZ 2-2	DCTZ 2-R2	1/8	3.18	1/8	7/16	11.11	23.1	29.8
DCTZ 2-4	DCTZ 2-R4	1/8	3.18	1/4	9/16	14.29	28.5	35.2
DCTZ 2-6		1/8	3.18	3/8	11/16	17.46	29.4	36.1
	DCTZ 2-R6	1/8	3.18	3/8	11/16	17.46	30.4	37.1
DCTZ 2-8		1/8	3.18	1/2	7/8	22.23	35.0	41.7
	DCTZ 2-R8	1/8	3.18	1/2	7/8	22.23	34.9	41.6
DCTZ 3-2	DCTZ 3-R2	3/16	4.76	1/8	7/16	11.11	24.0	30.7
DCTZ 3-4	DCTZ 3-R4	3/16	4.76	1/4	9/16	14.29	29.5	36.2
	DCTZ 3-R6	3/16	4.76	3/8	11/16	17.46	31.2	37.9
	DCTZ 3-R8	3/16	4.76	1/2	7/8	22.23	35.8	42.5
DCTZ 4-2	DCTZ 4-R2	1/4	6.35	1/8	1/2	12.7	25.4	32.9
DCTZ 4-4	DCTZ 4-R4	1/4	6.35	1/4	9/16	14.29	30.3	37.8
DCTZ 4-6		1/4	6.35	3/8	11/16	17.46	31.0	38.5
	DCTZ 4-R6	1/4	6.35	3/8	11/16	17.46	32.0	39.5
DCTZ 4-8		1/4	6.35	1/2	7/8	22.23	36.6	44.1
	DCTZ 4-R8	1/4	6.35	1/2	7/8	22.23	36.5	44.0
DCTZ 5-4	DCTZ 5-R4	5/16	7.94	1/4	9/16	14.29	31.3	38.8
DCTZ 5-6	DCTZ 5-R6	5/16	7.94	3/8	11/16	17.46	31.8	39.3
DCTZ 5-8	DCTZ 5-R8	5/16	7.94	1/2	7/8	22.23	37.3	44.8
DCTZ 6-4	DCTZ 6-R4	3/8	9.53	1/4	5/8	15.88	32.5	40.0
DCTZ 6-6		3/8	9.53	3/8	11/16	17.46	32.5	40.0
	DCTZ 6-R6	3/8	9.53	3/8	11/16	17.46	33.5	41.0
DCTZ 6-8	DCTZ 6-R8	3/8	9.53	1/2	7/8	22.23	38.1	45.6
DCTZ 8-6		1/2	12.7	3/8	13/16	20.64	33.3	43.6
	DCTZ 8-R6	1/2	12.7	3/8	13/16	20.64	34.3	44.6
DCTZ 8-8	DCTZ 8-R8	1/2	12.7	1/2	7/8	22.23	38.1	48.4
DCTZ 8-12		1/2	12.7	3/4	1-1/16	26.99	39.0	49.3
	DCTZ 8-R12	1/2	12.7	3/4	1-1/16	26.99	41.0	51.3
DCTZ 10-8	DCTZ 10-R8	5/8	15.88	1/2	15/16	23.81	39.0	49.3
DCTZ 10-12		5/8	15.88	3/4	1-1/16	26.99	38.9	49.2
	DCTZ 10-R12	5/8	15.88	3/4	1-1/16	26.99	40.9	51.2
DCTZ 12-12		3/4	19.05	3/4	1-1/16	26.99	40.4	50.7
	DCTZ 12-R12	3/4	19.05	3/4	1-1/16	26.99	42.4	52.7
DCTZ 12-16	DCTZ 12-R16	3/4	19.05	1	1-3/8	34.93	47.6	57.9
DCTZ 14-16		7/8	22.23	1	1-3/8	34.93	47.6	57.8
DCTZ 16-16	DCTZ 16-R16	1	25.4	1	1-3/8	34.93	50.0	62.6

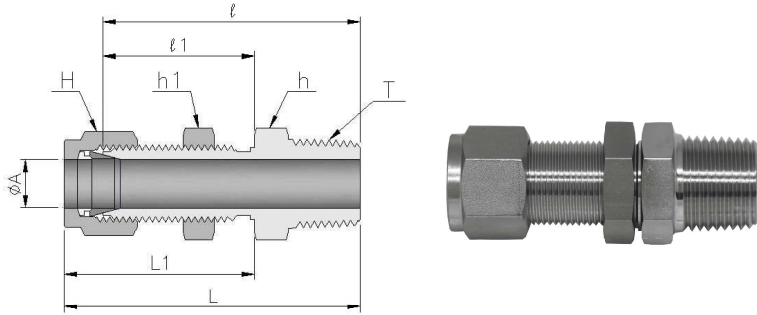
BI-Lok	DSC	Bulkhead Male Connector Connects fractional tube to female tapered pipe thread
---------------	------------	--



H : See dimensional data(Last page)

Part No.		A(Tube O. D)		T	h(HEX)	h _r (HEX)	E	E ₁	l	l ₁	L	L ₁	F	Panel	
ANSI NPT	ISO/JIS R	in	mm	NPT/R	in	in	mm	mm	mm	mm	mm	mm	mm	Hole	Thick
DSC 2-2	DSC 2-R2	1/8	3.18	1/8	1/2	1/2	2.3	4.8	40.0	24.6	46.7	31.3	13.0	8.3	12.7
DSC 4-2	DSC 4-R2	1/4	6.35	1/8	5/8	5/8	4.8	4.8	42.2	26.0	49.5	33.5	15.4	11.5	10.2
DSC 4-4	DSC 4-R4	1/4	6.35	1/4	5/8	5/8	4.8	4.8	46.0	26.0	53.5	33.5	15.4	11.5	10.2
DSC 4-6	DSC 4-R6	1/4	6.35	3/8	11/16	5/8	4.8	4.8	46.7	26.0	54.2	33.5	15.4	11.5	10.2
DSC 4-8		1/4	6.35	3/8	11/16	5/8	4.8	4.8	47.7	26.0	55.2	33.5	15.4	11.5	10.2
DSC 5-2	DSC 5-R2	5/16	7.94	1/8	11/16	11/16	6.4	4.8	44.9	28.5	52.4	36.0	16.3	13.1	10.9
DSC 5-4	DSC 5-R4	5/16	7.94	1/4	11/16	11/16	6.4	6.4	48.9	28.5	56.4	36.0	16.3	13.1	10.9
DSC 5-6		5/16	7.94	3/8	11/16	11/16	6.4	6.4	49.2	28.5	56.7	36.0	16.3	13.1	10.9
DSC 6-2	DSC 6-R4	3/8	9.53	1/8	3/4	3/4	7.1	4.8	45.9	29.5	53.4	37.0	17.0	14.7	11.2
DSC 6-4		3/8	9.53	1/4	3/4	3/4	7.1	7.1	50.0	29.5	57.5	37.0	17.0	14.7	11.2
DSC 6-6		3/8	9.53	3/8	3/4	3/4	7.1	7.1	50.0	29.5	57.5	37.0	17.0	14.7	11.2
DSC 6-8		3/8	9.53	3/8	3/4	3/4	7.1	7.1	51.0	29.5	58.5	37.0	17.0	14.7	11.2
DSC 6-8	DSC 6-R8	3/8	9.53	1/2	7/8	3/4	7.1	7.1	58.5	29.5	66.0	37.0	17.0	14.7	11.2
DSC 8-4	DSC 8-R4	1/2	12.7	1/4	15/16	15/16	10.4	7.1	53.4	32.0	63.7	42.3	23.0	19.4	12.7
DSC 8-6	DSC 8-R6	1/2	12.7	3/8	15/16	15/16	10.4	10.4	53.0	32.0	63.3	42.3	23.0	19.4	12.7
DSC 8-8		1/2	12.7	3/8	15/16	15/16	10.4	10.4	54.0	32.0	64.3	42.3	23.0	19.4	12.7
DSC 8-8	DSC 8-R8	1/2	12.7	1/2	15/16	15/16	10.4	10.4	58.0	32.0	68.3	42.3	23.0	19.4	12.7
DSC 8-12	DSC 8-R12	1/2	12.7	3/4	1-1/16	15/16	10.4	10.4	59.1	32.0	69.4	42.3	23.0	19.4	12.7
DSC 8-12		1/2	12.7	3/4	1-1/16	15/16	10.4	10.4	61.1	32.0	71.4	42.3	23.0	19.4	12.7
DSC 10-8		5/8	15.88	1/2	1-1/16	1-1/16	12.7	12.7	59.6	32.5	69.9	42.8	24.6	22.6	12.7
DSC 12-8	DSC12-R8	3/4	19.05	1/2	1-3/16	1-3/16	15.8	12.7	65.8	37.3	76.1	47.6	24.6	25.8	16.8
DSC 12-12	DSC12-R12	3/4	19.05	3/4	1-3/16	1-3/16	15.8	15.8	65.8	37.3	76.1	47.6	24.6	25.8	16.8
DSC 12-12		3/4	19.05	3/4	1-3/16	1-3/16	15.8	15.8	67.8	37.3	78.1	47.6	24.6	25.8	16.8
DSC 14-12		7/8	22.23	3/4	1-3/8	1-3/8	18.3	18.3	70.5	41.2	80.7	51.4	26.1	29.0	19.6
DSC 16-16		1	25.4	1	1-5/8	1-5/8	22.5	22.5	81.1	45.2	93.7	57.8	31.6	33.7	19.1

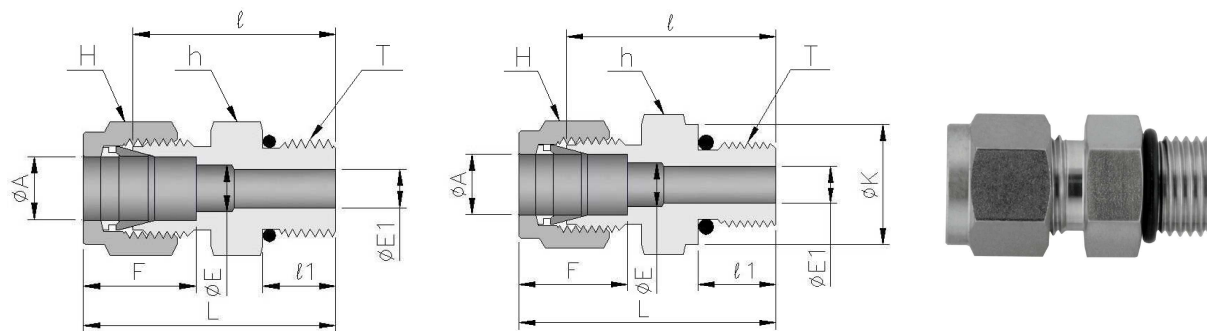
<i>Bl-Lok</i>	DSCZ	Bulkhead Male Connector / Bored-through Connects fractional tube to female NPT thread
---------------	-------------	--



H : See dimensional data(Last page)

Part No.	A (Tube O. D)		T	h (HEX)		h ₁ (HEX)		l	l ₁	L	L ₁	Panel	
	in	mm		NPT	in	mm	in					mm	mm
DSCZ 4-2	1/4	6.35	1/8	5/8	15.88	5/8	15.88	42.2	26.0	49.5	33.5	11.5	10.2
DSCZ 4-4	1/4	6.35	1/4	5/8	15.88	5/8	15.88	46.0	26.0	53.5	33.5	11.5	10.2
DSCZ 4-6	1/4	6.35	3/8	11/16	17.46	5/8	15.88	46.7	26.0	54.2	33.5	11.5	10.2
DSCZ 4-8	1/4	6.35	1/2	7/8	22.23	5/8	15.88	52.3	26.0	59.8	33.5	11.5	10.2
DSCZ 6-6	3/8	9.53	3/8	3/4	19.05	3/4	19.05	50.0	29.5	57.5	37.0	14.7	11.2
DSCZ 6-8	3/8	9.53	1/2	7/8	22.23	3/4	19.05	58.5	29.5	66.0	37.0	14.7	11.2
DSCZ 8-8	1/2	12.7	1/2	15/16	23.81	15/16	23.81	58.0	32.0	68.3	42.3	19.4	12.7
DSCZ 8-12	1/2	12.7	3/4	1-1/16	26.99	15/16	23.81	59.1	32.0	69.4	42.3	19.4	12.7
DSCZ 12-12	3/4	19.05	3/4	1-3/16	30.16	1-3/16	30.16	65.8	37.3	76.1	47.6	25.8	16.8
DSCZ 16-16	1	25.4	1	1-5/8	41.28	1-5/8	41.28	81.1	45.2	93.7	57.8	33.7	19.1

BI-Lok	DCU	O-ring seal Male Connector Connects fractional tube to UNF straight thread
---------------	------------	--



UNF straight thread

ISO/straight thread

H : See dimensional data(Last page)

Part No.	A (Tube O.D)		T	E	E ₁	h (HEX)		l	l ₁	L	F	O-ring AS568 (NBR)
	in	mm	UNF	mm	mm	in	mm	mm	mm	mm	mm	
DCU 2-2	1/8	3.18	5/16-24	2.3	2.3	7/16	11.11	23.4	7.5	30.1	13.0	-902
DCU 2-4	1/8	3.18	7/16-20	2.3	4.8	9/16	14.29	24.9	9.0	31.6	13.0	-904
DCU 4-2	1/4	6.35	5/16-24	4.8	3.5	1/2	12.7	25.4	7.5	32.9	15.4	-902
DCU 4-4	1/4	6.35	7/16-20	4.8	4.8	9/16	14.29	26.7	9.0	34.2	15.4	-904
DCU 4-6	1/4	6.35	9/16-18	4.8	4.8	11/16	17.46	28.2	10.0	35.7	15.4	-906
DCU 4-8	1/4	6.35	3/4-16	4.8	4.8	7/8	22.23	30.0	11.0	37.5	15.4	-908
DCU 4-10	1/4	6.35	7/8-14	4.8	10.4	1	25.4	33.0	12.5	40.5	15.4	-910
DCU 6-4	3/8	9.53	7/16-20	7.1	5.1	5/8	15.88	28.2	9.0	35.7	17.0	-904
DCU 6-6	3/8	9.53	9/16-18	7.1	7.1	11/16	17.46	29.7	10.0	37.2	17.0	-906
DCU 6-8	3/8	9.53	3/4-16	7.1	7.1	7/8	22.23	31.8	11.0	39.3	17.0	-908
DCU 6-10	3/8	9.53	7/8-14	7.1	10.4	1	25.4	35.0	12.5	42.5	17.0	-910
DCU 8-6	1/2	12.7	9/16-18	10.4	7.1	7/8	22.23	29.0	10.0	39.3	23.0	-906
DCU 8-8	1/2	12.7	3/4-16	10.4	10.4	13/16	22.23	31.8	11.0	42.1	23.0	-908
DCU 8-10	1/2	12.7	7/8-14	10.4	10.4	1	25.4	35.1	12.5	45.4	23.0	-910
DCU 8-12	1/2	12.7	1-1/16-12	10.4	10.4	1-1/4	31.75	38.9	15.0	49.2	23.0	-912
DCU10-8	5/8	15.88	3/4-16	12.7	10.7	15/16	23.81	31.8	11.0	42.1	24.6	-908
DCU10-10	5/8	15.88	7/8-14	12.7	12.7	1	25.4	35.1	12.5	45.4	24.6	-910
DCU12-8	3/4	19.05	3/4-16	15.8	10.7	1-1/16	26.99	32.8	11.0	43.1	24.6	-908
DCU12-12	3/4	19.05	1-1/16-12	15.8	15.8	1-1/4	31.75	38.9	15.0	49.2	24.6	-912
DCU16-12	1	25.4	1-1/16-12	22.5	16.8	1-3/8	34.93	41.4	15.0	54.0	31.6	-912
DCU16-16	1	25.4	1-5/16-12	22.5	22.5	1-1/2	38.1	42.2	15.0	54.8	31.6	-916

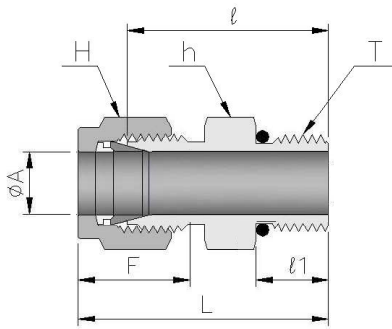
H : See dimensional data(Last page)

Part No.	A (Tube O.D)		T	E	E ₁	h (HEX)		l	l ₁	L	K	F	O-ring JIS B 2401 (NBR)
	in	mm	G	mm	mm	in	mm	mm	mm	mm	mm	mm	
DCU 4-G2	1/4	6.35	1/8	4.8	4.0	9/16	14.29	27.0	8.0	34.5	14.0	15.4	1B-P 8
DCU 4-G4	1/4	6.35	1/4	4.8	6.4	3/4	19.05	31.0	12.0	38.5	19.0	15.4	11
DCU 4-G6	1/4	6.35	3/8	4.8	4.8	7/8	22.23	31.4	12.0	38.9	22.0	15.4	14
DCU 6-G4	3/8	9.53	1/4	7.1	6.4	3/4	19.05	32.8	12.0	40.3	19.0	17.0	11
DCU 6-G6	3/8	9.53	3/8	7.1	7.1	7/8	22.23	32.8	12.0	40.3	22.0	17.0	14
DCU 6-G8	3/8	9.53	1/2	7.1	12.0	1-1/16	26.99	39.0	14.0	46.5	26.5	17.0	18
DCU 8-G4	1/2	12.7	1/4	10.4	6.4	13/16	20.64	33.0	12.0	43.3	19.0	23.0	11
DCU 8-G6	1/2	12.7	3/8	10.4	10.4	7/8	22.23	32.8	12.0	43.1	22.0	23.0	14
DCU 8-G8	1/2	12.7	1/2	10.4	12.0	1-1/16	26.99	39.0	14.0	49.3	26.5	23.0	18
DCU 8-G12	1/2	12.7	3/4	10.4	15.8	1-1/4	31.75	42.7	16.0	53.0	31.5	23.0	24
DCU12-G4	3/4	19.05	1/4	15.8	6.4	1-1/16	26.99	35.8	12.0	46.1	19.0	24.6	11
DCU12-G6	3/4	19.05	3/8	15.8	15.8	1-1/16	26.99	33.8	12.0	44.1	22.0	24.6	14
DCU12-G8	3/4	19.05	1/2	15.8	12.0	1-1/16	26.99	39.0	14.0	49.3	26.5	24.6	18
DCU12-G12	3/4	19.05	3/4	15.8	15.8	1-1/4	31.75	42.7	16.0	53.0	31.5	24.6	24

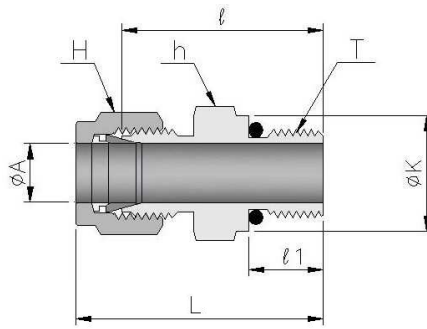
BI-Lok

DCUZ

O-ring seal Male Connector/ Bored-through
Connects fractional tube to UNF straight thread



UNF stright thred



ISO/stright thred

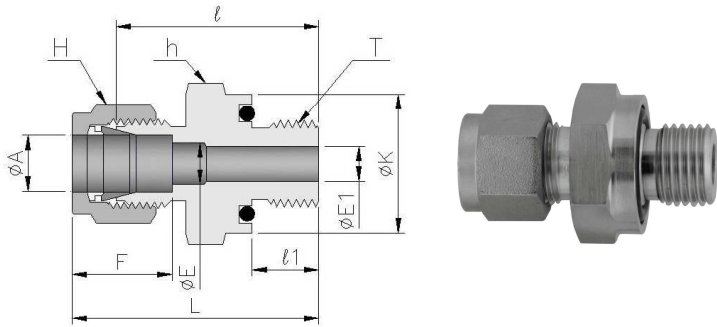


H : See dimensional data(Last page)

Part No.	A (Tube O. D)		T	h (HEX)		l	l ₁	L	O-ring AS568 (NBR)
	in	mm		UNF	in				
DCUZ 2-8	1/8	3.18	3/4-16	7/8	22.23	27.0	11.0	33.7	-908
DCUZ 4-8	1/4	6.35	3/4-16	7/8	22.23	30.0	11.0	37.5	-908
DCUZ 6-10	3/8	9.53	7/8-14	1	25.4	35.0	12.5	42.5	-910

Part No.	A (Tube O. D)		T	h (HEX)		l	l ₁	L	K	O-ring JIS B 2401 (NBR)
	in	mm		G	in					
DCUZ 2-G4	1/8	3.17	1/4	3/4	19.05	29.4	12.0	36.1	19.0	1B-P11
DCUZ 4-G4	1/4	6.35	1/4	3/4	19.05	31.0	12.0	38.5	19.0	11
DCUZ 4-G12	1/4	6.35	3/4	1-1/4	31.75	41.1	16.0	48.6	31.5	24
DCUZ 6-G6	3/8	9.52	3/8	7/8	22.23	32.8	12.0	40.3	22.0	14
DCUZ 12-G12	3/4	19.05	3/4	1-1/4	31.75	42.7	16.0	53.0	31.5	24

<i>BI-Lok</i>	DCO	O-ring seal Male Connector/ straight thread Connects Fractional tube to UNF straight thread
---------------	------------	--

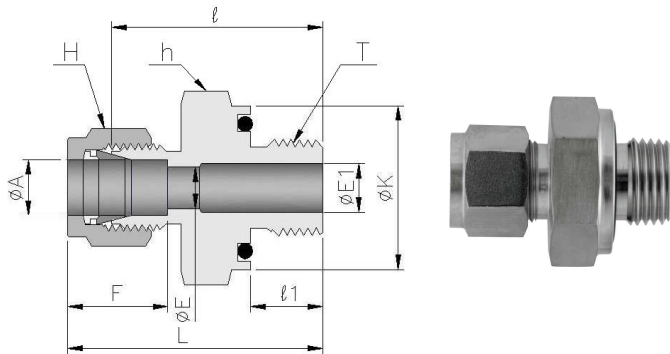


H : See dimensional data (Last page)

Part No.	A (Tube O. D.)		T	E	E ₁	K	h (HEX)		l	l ₁	L	F	O-ring AS568 (NBR)
	in	mm	UNF	mm	mm	mm	in	mm	mm	mm	mm	mm	
DCO 1-2	1/16	1.59	5/16-24	1.3	2.3	14.0	9/16	14.29	22.9	8.6	26.9	8.9	-011
DCO 2-2	1/8	3.18	5/16-24	2.3	2.3	14.0	9/16	14.29	26.0	8.6	32.7	13.0	-011
DCO 3-3	3/16	4.76	3/8-24	3.0	3.0	15.4	5/8	15.88	28.0	9.7	34.7	13.8	-012
DCO 4-4	1/4	6.35	7/16-20	4.8	4.8	18.5	3/4	19.05	31.2	10.4	38.7	15.4	-111
DCO 5-5	5/16	7.94	1/2-20	6.4	6.4	21.9	7/8	22.23	33.5	11.2	41.0	16.3	-112
DCO 6-6	3/8	9.53	9/16-18	7.1	7.1	23.6	15/16	23.81	35.0	11.9	42.5	17.0	-113
DCO 8-8	1/2	12.7	3/4-16	10.4	10.4	28.0	1-1/8	28.58	35.8	11.9	46.1	23.0	-116
DCO12-12	3/4	19.05	1-1/16-12	15.8	15.8	37.6	1-1/2	38.1	42.0	14.2	52.3	24.6	-215
DCO16-16	1	25.4	1-5/16-12	22.5	22.5	44.0	1-3/4	44.45	46.0	14.2	58.6	31.6	-219

Part No.	A (Tube O. D.)		T	E	E ₁	K	h (HEX)		l	l ₁	L	F	O-ring JIS B 2401 (フッ素ゴム)
	in	mm	G	mm	mm	mm	in	mm	mm	mm	mm	mm	
DCO 4-G2	1/4	6.35	1/8	4.8	4.0	18.5	3/4	19.05	29.0	8.0	36.4	15.4	4D-P11
DCO 4-G4	1/4	6.35	1/4	4.8	6.4	23.5	15/16	23.81	32.8	12.0	40.3	15.4	15
DCO 4-G6	1/4	6.35	3/8	4.8	7.9	26.5	1-1/16	26.99	34.0	12.0	41.5	15.4	18
DCO 6-G4	3/8	9.53	1/4	7.1	6.4	23.5	15/16	23.81	35.0	12.0	42.5	17.0	15
DCO 6-G6	3/8	9.53	3/8	7.1	7.1	26.5	1-1/16	26.99	36.0	12.0	43.5	17.0	18
DCO 6-G8	3/8	9.53	1/2	7.1	12.0	31.5	1-1/4	31.75	41.0	14.0	48.5	17.0	22
DCO 8-G4	1/2	12.7	1/4	10.4	6.4	23.5	15/16	23.81	35.0	12.0	45.3	23.0	15
DCO 8-G6	1/2	12.7	3/8	10.4	7.9	26.5	1-1/16	26.99	36.0	12.0	46.3	23.0	18
DCO 8-G8	1/2	12.7	1/2	10.4	12.0	31.5	1-1/4	31.75	41.0	14.0	51.3	23.0	22
DCO 8-G12	1/2	12.7	3/4	10.4	16.0	40.5	1-5/8	41.27	44.0	18.0	54.3	23.0	28

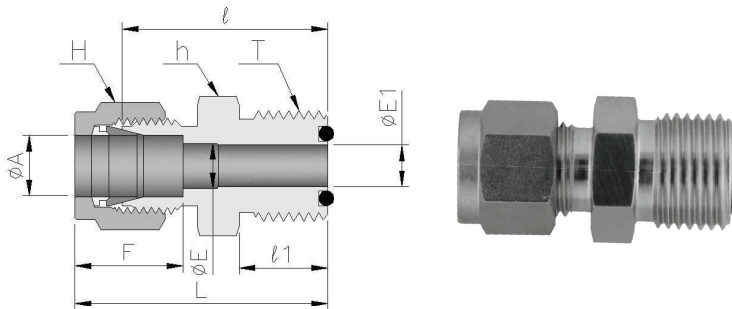
BI-Lok	DCM	O-ring seal Male Connector/ Pipe tapered thread Connects fractional tube to female tapered pipe thread
---------------	------------	--



H : See dimensional data(Last page)

Part No.		A(Tube O. D)		T	E	E ₁	K	h(HEX)		l	l ₁	L	F	O-ring AS568 (NBR)
ANSI NPT	ISO/JIS R	in	mm	NPT/R	mm	mm	mm	in	mm	mm	mm	mm	mm	
DCM 1-4		1/16	1.59	1/4	1.3	4.8	23.6	15/16	23.81	28.3	9.7	32.3	8.9	-113
DCM 2-2	DCM 2-R4	1/8	3.18	1/8	2.3	4.8	18.9	3/4	19.05	26.2	7.1	32.9	13.0	-111
		1/8	3.18	1/4	2.3	4.8	23.6	15/16	23.81	29.9	9.7	36.6	13.0	-113
DCM 4-2	DCM 4-R4	1/4	6.35	1/8	4.8	4.8	18.9	3/4	19.05	27.9	7.1	35.4	15.4	-111
		1/4	6.35	1/4	4.8	4.8	23.6	15/16	23.81	31.2	9.7	38.7	15.4	-113
DCM 4-4		1/4	6.35	1/4	4.8	4.8	23.6	15/16	23.81	31.6	9.7	39.1	15.4	-113
DCM 6-2		3/8	9.53	1/8	7.1	4.8	18.9	3/4	19.05	29.9	7.1	37.4	17.0	-111
DCM 6-4		3/8	9.53	1/4	7.1	4.8	23.6	15/16	23.81	32.8	9.7	40.3	17.0	-113

BI-Lok	DCF	O-ring seal Male Connector/ straight thread Connects fractional tube to UNF straight thread
---------------	------------	---



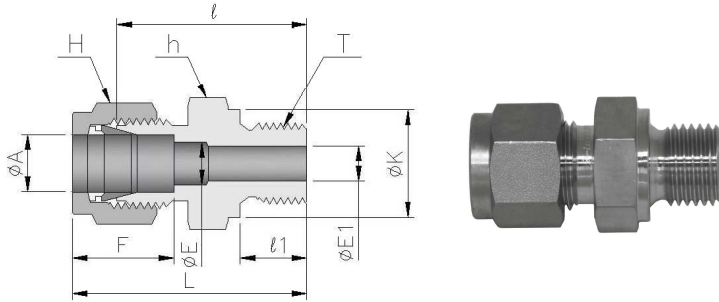
H : See dimensional data(Last page)

Part No.	A(Tube O. D)		T	E	E ₁	h(HEX)	l	l ₁	l ₂	L	F	B	t	O-ring AS568
	in	mm	UNF	mm	mm	in	mm	mm	mm	mm	mm	mm	mm	
DCF 4-4	1/4	6.35	9/16-18	4.8	4.8	3/4	30.2	14.0	1.4	37.7	15.4	11.0	2.4	-011
DCF 6-6	3/8	9.53	11/16-16	7.1	6.6	5/8	32.4	14.0	1.4	39.9	17.0	12.6	2.4	-012
DCF 8-8	1/2	12.7	13/16-16	10.4	9.6	7/8	38.1	19.0	1.4	48.4	23.0	15.8	2.4	-014
DCF 12-12	3/4	19.05	1-3/16-12	15.8	15.8	1-3/8	41.0	19.0	1.4	51.3	24.6	22.2	2.4	-018
DCF 16-16	1	25.4	1-7/16-12	22.5	20.6	1-5/8	50.0	24.0	1.4	52.6	31.6	26.9	2.4	-021

Bl-Lok

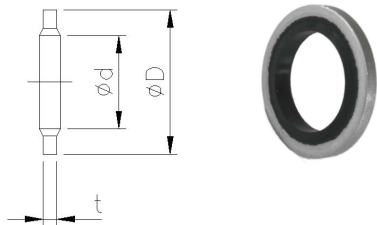
DCQ

Bonded seal Male Connector/ straight thread
Connects fractional tube to ISO straight thread



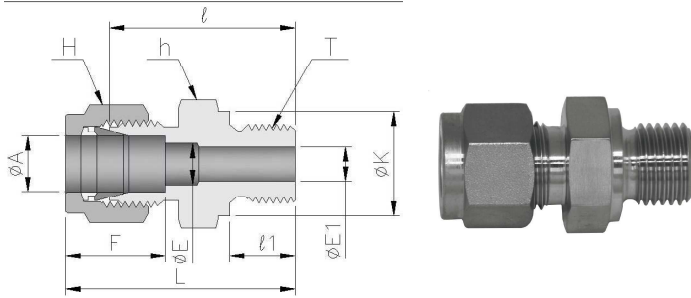
H : See dimensional data(Last page)

Part No.	A(Tube O.D)		T	E	E ₁	K	h(HEX)		l	l ₁	L	F
	in	mm	G	mm	mm	mm	in	mm	mm	mm	mm	mm
DCQ 2-G2	1/8	3.18	1/8	2.3	2.3	13.8	9/16	14.29	23.4	7.1	30.1	13.0
DCQ 2-G4	1/8	3.18	1/4	2.3	2.3	18.0	3/4	19.05	27.8	11.2	34.5	13.0
DCQ 4-G2	1/4	6.35	1/8	4.8	4.1	13.8	9/16	14.29	24.9	7.1	32.4	15.4
DCQ 4-G4	1/4	6.35	1/4	4.8	4.8	18.0	3/4	19.05	30.2	11.2	37.7	15.4
DCQ 4-G6	1/4	6.35	3/8	4.8	4.8	21.8	7/8	22.23	31.5	11.2	39.0	15.4
DCQ 6-G4	3/8	9.53	1/4	7.1	5.9	18.0	3/4	19.05	31.8	11.2	39.3	17.0
DCQ 6-G6	3/8	9.53	3/8	7.1	7.1	21.8	7/8	22.23	33.0	11.2	40.5	17.0
DCQ 6-G8	3/8	9.53	1/2	7.1	7.1	26.0	1-1/16	26.99	38.9	14.2	46.4	17.0
DCQ 8-G4	1/2	12.7	1/4	10.4	5.9	18.0	13/16	20.64	32.5	11.2	42.8	23.0
DCQ 8-G6	1/2	12.7	3/8	10.4	7.9	21.8	7/8	22.23	33.0	11.2	43.3	23.0
DCQ 8-G8	1/2	12.7	1/2	10.4	10.4	26.0	1-1/16	26.99	38.9	14.2	49.2	23.0



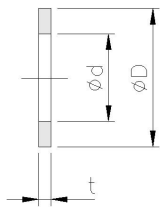
Part No.	T	D	d	t
KP-C-01	G1/8	17	9.9	2
KP-C-02	G1/4	20.5	13.3	2
KP-C-03	G3/8	24	16.8	2
KP-C-04	G1/2	29	21.1	2

BI-Lok	DCJ	Cu Gasket seal Male Connector/ straight thread Connects fractional tube to ISO straight thread
---------------	------------	--



H : See dimensional data(Last page)

Part No.	A(Tube O. D)		T	E	E ₁	K	h(HEX)		l	l ₁	L	F	Gasket
	in	mm	G	mm	mm	mm	in	mm	mm	mm	mm	mm	
DCJ 2-G2	1/8	3.18	1/8	2.3	4.1	13.8	9/16	14.29	23.4	7.1	30.1	13.0	KP-A-01
DCJ 2-G4	1/8	3.18	1/4	2.3	5.9	18.0	3/4	19.05	27.8	11.2	34.5	13.0	KP-A-03
DCJ 4-G2	1/4	6.35	1/8	4.8	4.1	13.8	9/16	14.29	24.9	7.1	32.4	15.4	KP-A-01
DCJ 4-G4	1/4	6.35	1/4	4.8	5.9	18.0	3/4	19.05	30.2	11.2	37.7	15.4	KP-A-03
DCJ 4-G6	1/4	6.35	3/8	4.8	7.9	21.8	7/8	22.23	31.5	11.2	39.0	15.4	KP-A-05
DCJ 6-G4	3/8	9.53	1/4	7.1	5.9	18.0	3/4	19.05	31.8	11.2	39.3	17.0	KP-A-03
DCJ 6-G6	3/8	9.53	3/8	7.1	7.9	21.8	7/8	22.23	33.0	11.2	40.5	17.0	KP-A-05
DCJ 6-G8	3/8	9.53	1/2	7.1	11.9	26.0	1-1/16	26.99	38.9	14.2	46.4	17.0	KP-A-07
DCJ 8-G4	1/2	12.7	1/4	10.4	5.9	18.0	13/16	20.64	31.8	11.2	42.1	23.0	KP-A-03
DCJ 8-G6	1/2	12.7	3/8	10.4	7.9	21.8	7/8	22.23	33.0	11.2	43.3	23.0	KP-A-05
DCJ 8-G8	1/2	12.7	1/2	10.4	11.9	26.0	1-1/16	26.99	38.9	14.2	49.2	23.0	KP-A-07
DCJ 12-G4	3/4	19.05	1/4	15.8	5.9	18.0	1-1/16	26.99	34.9	11.2	45.2	24.6	KP-A-03
DCJ 12-G6	3/4	19.05	3/8	15.8	7.9	21.8	1-1/16	26.99	35.4	11.2	45.7	24.6	KP-A-05
DCJ 12-G8	3/4	19.05	1/2	15.8	11.9	26.0	1-1/16	26.99	38.9	14.2	49.2	24.6	KP-A-07

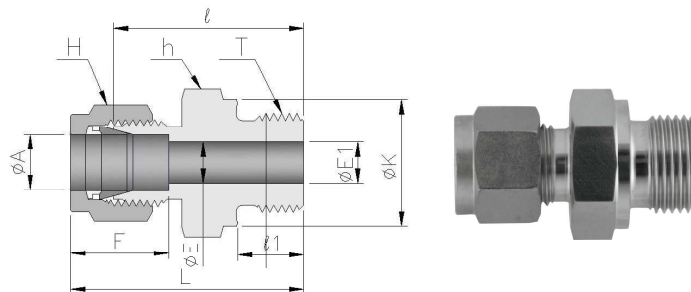


Gasket

Material : Copper

Part No.	T	D	d	t
KP-A-01	G1/8	18	10	2
KP-A-03	G1/4	22	14	2
KP-A-05	G3/8	26	17	2
KP-A-07	G1/2	32	21.5	2

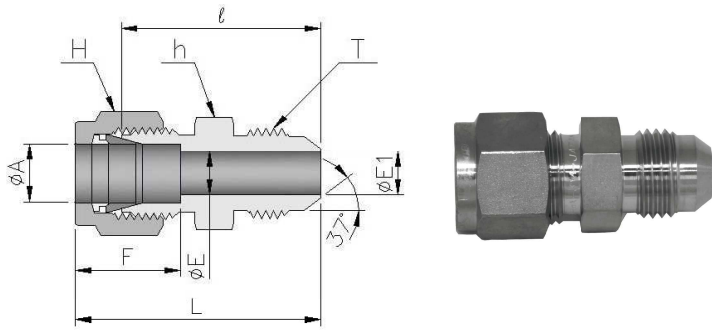
BI-Lok	DCG	Cu Gasket seal Male Connector/ straight thread Connects fractional tube to ISO straight thread
---------------	------------	--



H : See dimensional data(Last page)

Part No.	A(Tube O. D)		T	E	E ₁	K	h(HEX)		l	l ₁	L	F	Gasket
	in	mm	G	mm	mm	mm	in	mm	mm	mm	mm	mm	
DCG 4-G4	1/4	6.35	1/4	4.8	5.9	18.0	3/4	19.05	30.2	11.2	37.7	15.4	KP-A-03
DCG 6-G6	3/8	9.53	3/8	7.1	7.9	21.8	7/8	22.23	33.0	11.2	40.5	17.0	KP-A-05

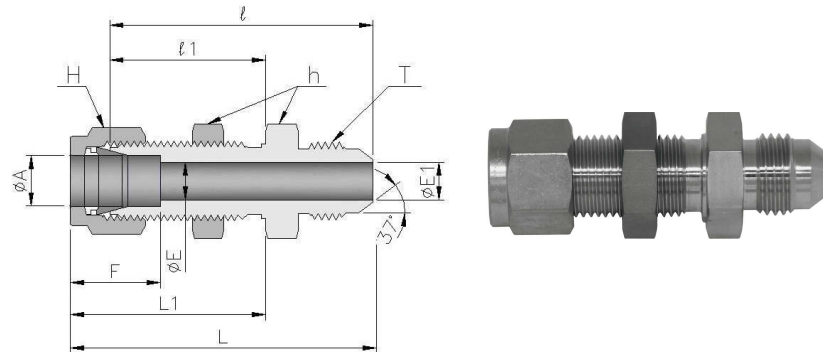
BI-Lok	DUC	AN Union Connects fractional tube to 37° flared tube
---------------	------------	--



H : See dimensional data(Last page)

Part No.	A(Tube O. D)		AN(Tube O. D)		T	E	E ₁	h(HEX)		l	L	F
	in	mm	in	mm				UNF	mm			
DUC 1-2	1/16	1.59	1/8	3.18	5/16-24	1.3	1.3	7/16	11.11	23.4	27.4	8.9
DUC 1-4	1/16	1.59	1/4	6.35	7/16-20	1.3	4.3	1/2	12.7	27.0	31.0	8.9
DUC 2-2	1/8	3.18	1/8	3.18	5/16-24	2.3	1.5	7/16	11.11	24.9	31.6	13.0
DUC 2-4	1/8	3.18	1/4	6.35	7/16-20	2.3	4.3	1/2	12.7	28.4	35.1	13.0
DUC 4-2	1/4	6.35	1/8	3.18	5/16-24	4.8	1.5	1/2	12.7	27.5	35.0	15.4
DUC 4-4	1/4	6.35	1/4	6.35	7/16-20	4.8	4.3	1/2	12.7	30.2	37.7	15.4
DUC 5-5	5/16	7.94	5/16	7.94	1/2-20	6.0	6.0	9/16	14.29	31.3	38.8	16.3
DUC 6-4	3/8	9.53	1/4	6.35	7/16-20	7.1	4.3	5/8	15.88	32.3	39.8	17.0
DUC 6-6	3/8	9.53	3/8	9.53	9/16-18	7.1	7.1	5/8	15.88	32.3	39.8	17.0
DUC 8-6	1/2	12.7	3/8	9.53	9/16-18	10.4	7.1	13/16	20.64	33.0	43.3	23.0
DUC 8-8	1/2	12.7	1/2	12.7	3/4-16	10.4	9.9	13/16	20.64	35.6	45.9	23.0
DUC 10-8	5/8	15.88	1/2	12.7	3/4-16	12.7	9.9	15/16	23.81	36.5	46.8	24.6
DUC 10-10	5/8	15.88	5/8	15.88	7/8-14	12.7	12.7	15/16	23.81	39.2	49.5	24.6
DUC 12-8	3/4	19.05	1/2	12.7	3/4-16	15.8	9.9	1-1/8	28.58	39.0	49.3	24.6
DUC 12-12	3/4	19.05	3/4	19.05	1-1/16-12	15.8	15.8	1-1/8	28.58	44.2	54.5	24.6
DUC 16-12	1	25.4	3/4	19.05	1-1/16-12	22.5	15.5	1-3/8	34.93	48.1	60.7	31.6
DUC 16-16	1	25.4	1	25.4	1-5/16-12	22.5	21.5	1-3/8	34.93	49.3	61.9	31.6

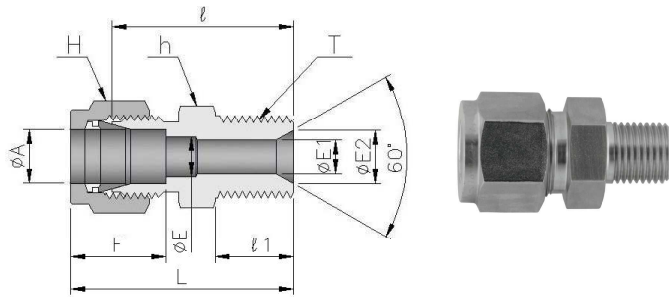
BI-Lok	DUE	AN Bulkhead Union Connects fractional tube to 37° flared tube
---------------	------------	---



H : See dimensional data(Last page)

Part No.	A(Tube O. D)		AN(Tube O. D)		T	E	E ₁	h(HEX)		l	l ₁	L	L ₁	F	Panel	
	in	mm	in	mm				UNF	mm						mm	in
DUE 2-2	1/8	3.18	1/8	3.18	5/16-24	2.3	1.5	1/2	12.7	41.0	24.6	47.7	31.3	13.0	8.3	12.7
DUE 4-4	1/4	6.35	1/4	6.35	7/16-20	4.8	4.3	5/8	15.88	46.5	26.0	54.0	33.5	15.4	11.5	10.2
DUE 6-4	3/8	9.53	1/4	6.35	7/16-20	7.1	4.3	3/4	19.05	49.9	29.5	57.3	37.0	17.0	11.5	10.2
DUE 6-6	3/8	9.53	3/8	9.53	9/16-18	7.1	7.1	3/4	19.05	49.8	29.5	57.3	37.0	17.0	14.7	11.2
DUE 8-6	1/2	12.7	3/8	9.53	9/16-18	10.4	7.1	15/16	23.81	53.0	32.0	63.3	42.3	23.0	14.7	11.2
DUE 8-8	1/2	12.7	1/2	12.7	3/4-16	10.4	9.9	15/16	23.81	55.7	32.0	66.0	42.3	23.0	19.4	12.7
DUE 12-12	3/4	19.05	3/4	19.05	1-1/16-12	15.8	15.8	1-3/16	30.16	68.8	37.3	79.1	47.6	24.6	25.8	16.8
DUE 16-16	1	25.4	1	25.4	1-5/16-12	22.5	21.5	1-5/8	41.28	80.2	45.2	92.8	57.8	31.6	33.7	19.1

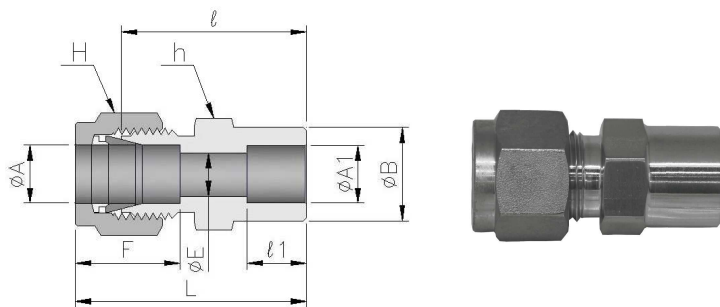
Bl-Lok	DUD	Male Connector /for 30° Hose Adapter Connects fractional tube to 30° Hose Adapter (ISO parallel thread)
---------------	------------	--



H : See dimensional data(Last page)

Part No.	A (Tube O. D.)		T	E	E ₁	E ₂	h (HEX)		l	l ₁	L	F
	in	mm	G	mm	mm	mm	in	mm	mm	mm	mm	mm
DUD 6-G4	3/8	9.53	1/4	7.1	6.0	9.5	5/8	15.88	32.5	14.0	40.0	17.0
DUD 8-G4	1/2	12.7	1/4	10.4	6.0	9.5	13/16	20.64	34.0	14.0	44.0	23.0

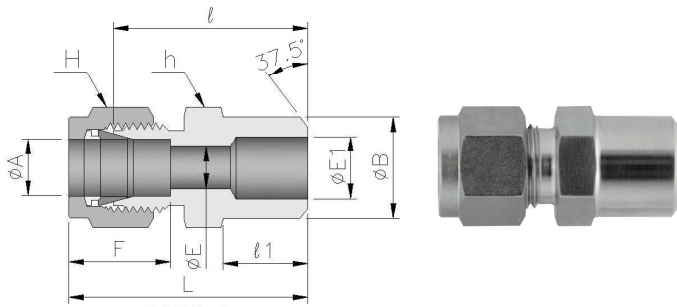
Bl-Lok	DCW	Tube socket weld union Connects fractional tubes
---------------	------------	---



H : See dimensional data(Last page)

Part No.	A Tube OD		A ₁ Tube OD	E	B	h (HEX)		L	l	l ₁	F	
	in	mm	in	mm	mm	mm	in	mm	mm	mm	mm	
DCW 2-2	1/8	3.18	1/8	3.18	2.3	7.9	7/16	11.11	29.1	22.4	6.4	13.0
DCW 4-4	1/4	6.35	1/4	6.35	4.8	11.2	1/2	12.7	33.7	26.2	7.9	15.4
DCW 4-6	1/4	6.35	3/8	9.53	4.8	15.4	5/8	15.88	36.0	28.5	9.7	15.4
DCW 5-5	5/16	7.93	5/16	7.93	6.4	13.0	9/16	14.29	35.0	27.5	9.0	16.3
DCW 6-6	3/8	9.53	3/8	9.53	7.1	15.7	5/8	15.88	37.7	30.2	9.7	17.0
DCW 6-8	3/8	9.53	1/2	12.7	7.1	19.1	13/16	20.64	38.5	31.0	12.7	17.0
DCW 8-8	1/2	12.7	1/2	12.7	10.4	19.1	13/16	20.64	41.3	31.0	12.7	23.0
DCW 8-12	1/2	12.7	3/4	19.05	10.4	26.7	1-1/16	26.99	43.6	33.3	14.2	23.0
DCW 10-10	5/8	15.88	5/8	15.88	12.7	23.2	15/16	23.81	42.1	31.8	14.2	24.6
DCW 12-12	3/4	19.05	3/4	19.05	15.8	26.7	1-1/16	26.99	43.6	33.3	14.2	24.6
DCW 16-16	1	25.4	1	25.4	22.5	33.3	1-3/8	34.93	53.1	40.5	19.1	31.6

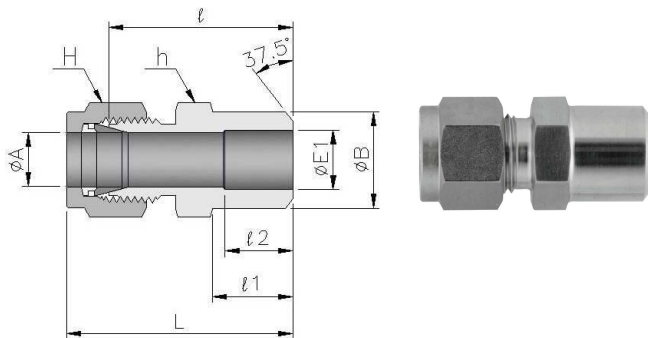
BI-Lok	DCB	Male pipe weld Connector Connects fractional tube to pipe
---------------	------------	---



H : See dimensional data(Last page)

Part No.	A (Tube O. D)		B (Pipe size)		E	E ₁	h (HEX)		L	l	l ₁	F
	in	mm	Nom.	mm			in	mm				
DCB 2-2	1/8	3.18	1/8	10.3	2.3	5.5	7/16	11.11	29.8	23.1	9.7	13.0
DCB 3-2	3/16	4.76	1/8	10.3	3.0	5.5	7/16	11.11	31.1	24.4	9.7	13.8
DCB 4-2	1/4	6.35	1/8	10.3	4.8	5.5	1/2	12.7	33.2	25.7	9.7	15.4
DCB 4-4	1/4	6.35	1/4	13.7	4.8	7.7	9/16	14.29	37.8	30.3	14.2	15.4
DCB 4-6	1/4	6.35	3/8	17.0	4.8	10.4	11/16	17.46	38.7	31.2	14.2	15.4
DCB 4-8	1/4	6.35	1/2	21.3	4.8	13.9	7/8	22.23	44.2	36.7	19.1	15.4
DCB 6-4	3/8	9.53	1/4	13.7	7.1	7.7	5/8	15.88	40.0	32.5	14.2	17.0
DCB 6-6	3/8	9.53	3/8	17.0	7.1	10.4	11/16	17.46	40.0	32.5	14.2	17.0
DCB 6-8	3/8	9.53	1/2	21.3	7.1	13.9	7/8	22.23	45.6	38.1	19.1	17.0
DCB 8-4	1/2	12.7	1/4	13.7	10.4	7.7	13/16	20.64	43.6	33.3	14.2	23.0
DCB 8-6	1/2	12.7	3/8	17.0	10.4	10.4	13/16	20.64	43.6	33.3	14.2	23.0
DCB 8-8	1/2	12.7	1/2	21.3	10.4	13.9	7/8	22.23	48.4	38.1	19.1	23.0
DCB 8-12	1/2	12.7	3/4	26.5	10.4	18.8	1-1/16	26.99	50.9	40.6	19.1	23.0
DCB 10-8	5/8	15.88	1/2	21.3	12.7	13.9	15/16	23.81	49.2	38.9	19.1	24.6
DCB 12-6	3/4	19.05	3/8	17.0	15.8	10.4	1-1/16	26.99	45.9	35.6	14.2	24.6
DCB 12-8	3/4	19.05	1/2	21.3	15.8	13.9	1-1/16	26.99	50.8	40.5	19.1	24.6
DCB 12-12	3/4	19.05	3/4	26.5	15.8	18.8	1-1/16	26.99	50.9	40.6	19.1	24.6
DCB 12-16	3/4	19.05	1	33.4	15.8	24.3	1-3/8	34.93	57.9	47.6	23.9	24.6
DCB 16-8	1	25.4	1/2	21.3	22.5	13.9	1-3/8	34.93	57.6	45.0	19.1	31.6
DCB 16-16	1	25.4	1	33.4	22.5	24.3	1-3/8	34.93	62.6	50.0	23.9	31.6

BI-Lok	DCBZ	Male pipe weld Connector/ Bored-through Connects fractional tube to pipe
---------------	-------------	--



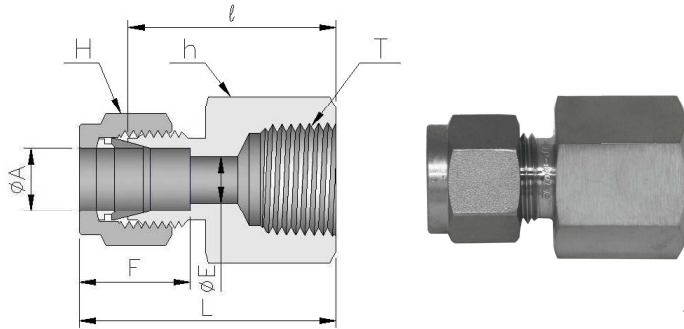
H : See dimensional data(Last page)

Part No.	A (Tube O. D)		B (Pipe size)		E	h (HEX)		L	l	l ₁	l ₂
	in	mm	Nom.	mm		in	mm				
DCBZ 2-2	1/8	3.18	1/8	10.3	5.5	7/16	11.11	29.8	23.1	9.7	8.0
DCBZ 3-2	3/16	4.76	1/8	10.3	5.5	7/16	11.11	31.1	24.4	9.7	8.0
DCBZ 4-4	1/4	6.35	1/4	13.7	7.7	9/16	14.29	37.8	30.3	14.2	12.0
DCBZ 6-6	3/8	9.53	3/8	17.0	10.4	11/16	17.46	40.0	32.5	14.2	12.0
DCBZ 6-8	3/8	9.53	1/2	21.3	13.9	7/8	22.23	45.6	38.1	19.1	17.0
DCBZ 8-8	1/2	12.7	1/2	21.3	13.9	7/8	22.23	48.4	38.1	19.1	17.0

BI-Lok

DSA

Female Connector
Connects fractional tube to male tapered pipe thread

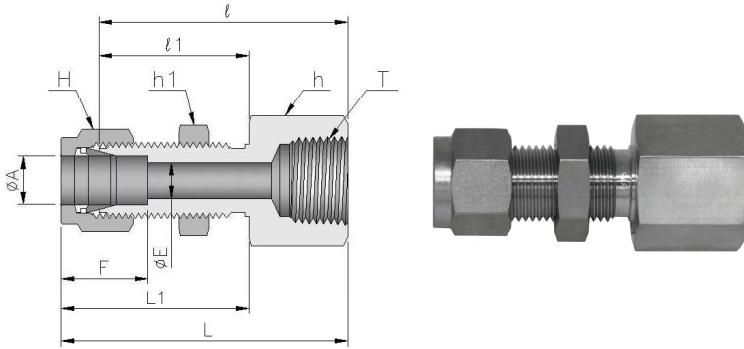


H : See dimensional data(Last page)

Part No.		A(Tube O.D)		T	E	h(HEX)		l	L	F
ANSI NPT	ISO/JIS Rc	in	mm	NPT/Rc	mm	in	mm	mm	mm	mm
DSA 1-2		1/16	1.59	1/8	1.3	9/16	14.29	20.8	24.8	8.9
DSA 1-4		1/16	1.59	1/4	1.3	3/4	19.05	27.0	31.0	8.9
DSA 2-2	DSA 2-R2	1/8	3.18	1/8	2.3	9/16	14.29	22.5	29.2	13.0
DSA 2-4	DSA 2-R4	1/8	3.18	1/4	2.3	3/4	19.05	27.0	33.7	13.0
	DSA 2-R6	1/8	3.18	3/8	2.3	7/8	22.23	29.7	36.4	13.0
DSA 2-8		1/8	3.18	1/2	2.3	1-1/16	26.99	34.0	40.7	13.0
DSA 3-2	DSA 3-R2	3/16	4.76	1/8	3.0	9/16	14.29	23.0	29.7	13.8
	DSA 3-R4	3/16	4.76	1/4	3.0	3/4	19.05	28.0	34.7	13.8
DSA 4-1		1/4	6.35	1/16	4.8	1/2	12.7	24.0	31.5	15.4
DSA 4-2	DSA 4-R2	1/4	6.35	1/8	4.8	9/16	14.29	24.0	31.5	15.4
DSA 4-4	DSA 4-R4	1/4	6.35	1/4	4.8	3/4	19.05	28.5	36.0	15.4
DSA 4-6		1/4	6.35	3/8	4.8	7/8	22.23	30.3	37.8	15.4
	DSA 4-R6	1/4	6.35	3/8	4.8	7/8	22.23	31.3	38.8	15.4
DSA 4-8	DSA 4-R8	1/4	6.35	1/2	4.8	1-1/16	26.99	35.8	43.3	15.4
DSA 4-12		1/4	6.35	3/4	4.8	1-5/16	33.34	37.8	45.3	15.4
DSA 5-2	DSA 5-R2	5/16	7.94	1/8	6.4	9/16	14.29	24.7	32.2	16.3
DSA 5-4	DSA 5-R4	5/16	7.94	1/4	6.4	3/4	19.05	29.5	37.0	16.3
	DSA 5-R6	5/16	7.94	3/8	6.4	7/8	22.23	32.1	39.6	16.3
DSA 5-8	DSA 5-R8	5/16	7.94	1/2	6.4	1-1/16	26.99	36.6	44.1	16.3
DSA 6-2	DSA 6-R2	3/8	9.53	1/8	7.1	5/8	15.88	25.4	32.9	17.0
DSA 6-4	DSA 6-R4	3/8	9.53	1/4	7.1	3/4	19.05	30.2	37.7	17.0
DSA 6-6		3/8	9.53	3/8	7.1	7/8	22.23	31.9	39.4	17.0
	DSA 6-R6	3/8	9.53	3/8	7.1	7/8	22.23	32.9	40.4	17.0
DSA 6-8	DSA 6-R8	3/8	9.53	1/2	7.1	1-1/16	26.99	36.5	44.0	17.0
	DSA 6-R12	3/8	9.53	3/4	7.1	1-5/16	33.34	40.3	47.8	17.0
DSA 6-16		3/8	9.53	1	7.1	1-5/8	41.28	47.6	55.1	17.0
DSA 8-2	DSA 8-R2	1/2	12.7	1/8	10.4	13/16	20.64	25.4	35.7	23.0
DSA 8-4	DSA 8-R4	1/2	12.7	1/4	10.4	13/16	20.64	31.9	42.2	23.0
DSA 8-6		1/2	12.7	3/8	10.4	7/8	22.23	31.9	42.2	23.0
	DSA 8-R6	1/2	12.7	3/8	10.4	7/8	22.23	32.9	43.2	23.0
DSA 8-8	DSA 8-R8	1/2	12.7	1/2	10.4	1-1/16	26.99	36.6	46.9	23.0
DSA 8-12		1/2	12.7	3/4	10.4	1-5/16	33.34	38.1	48.4	23.0
	DSA 8-R12	1/2	12.7	3/4	10.4	1-5/16	33.34	39.1	49.4	23.0
	DSA 8-R16	1/2	12.7	1	10.4	1-5/8	41.28	47.6	57.9	23.0
DSA 10-6	DSA 10-R6	5/8	15.88	3/8	12.7	15/16	23.81	32.0	42.3	24.6
DSA 10-8	DSA 10-R8	5/8	15.88	1/2	12.7	1-1/16	26.99	36.6	46.9	24.6
DSA 10-12		5/8	15.88	3/4	12.7	1-5/16	33.34	38.1	48.4	24.6
DSA 12-6	DSA 12-R4	3/4	19.05	1/4	15.8	1-1/16	26.99	31.8	42.1	24.6
		3/4	19.05	3/8	15.8	1-1/16	26.99	34.0	44.3	24.6
DSA 12-8	DSA 12-R8	3/4	19.05	1/2	15.8	1-1/16	26.99	36.6	46.9	24.6
DSA 12-12		3/4	19.05	3/4	15.8	1-5/16	33.34	38.1	48.4	24.6
	DSA 12-R12	3/4	19.05	3/4	15.8	1-5/16	33.34	40.1	50.4	24.6
DSA 12-16		3/4	19.05	1	15.8	1-5/8	41.28	47.6	57.9	24.6

Part No.		A (Tube O. D)		T	E	h (HEX)		l	L	F
ANSI NPT	ISO/JIS Rc	in	mm	NPT/Rc	mm	in	mm	mm	mm	mm
DSA 14-12	DSA 14-R12	7/8	22.23	3/4	18.3	1-5/16	33.34	40.0	50.2	26.1
		7/8	22.23	3/4	18.3	1-5/16	33.34	41.0	51.2	26.1
DSA 16-8	DSA 16-R12 DSA 16-R16	1	25.4	1/2	22.5	1-3/8	34.93	41.1	53.7	31.6
DSA 16-12		1	25.4	3/4	22.5	1-3/8	34.93	41.1	53.7	31.6
		1	25.4	3/4	22.5	1-3/8	34.93	42.1	54.7	31.6
DSA 16-16		1	25.4	1	22.5	1-5/8	41.28	50.0	62.6	31.6

Bl-Lok	DSS	Bulkhead Female Connector Connects fractional tube to male NPT thread
---------------	------------	---



H : See dimensional data(Last page)

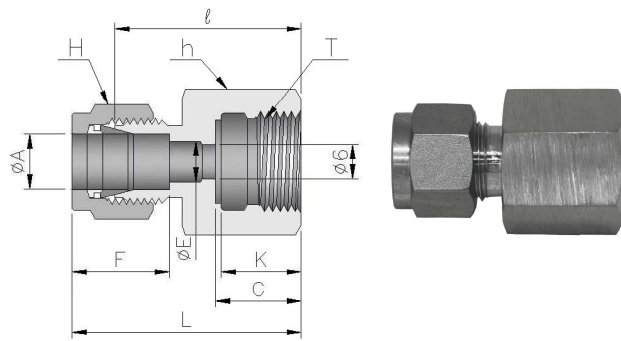
Part No.	A (Tube O. D)		T	E	h (HEX)		h ₁ (HEX)		l	l ₁	L	L ₁	F	Panel	
	in	mm			NPT	mm	in	mm						in	mm
DSS 2-2	1/8	3.18	1/8	2.3	9/16	14.29	1/2	12.7	38.0	24.6	44.7	31.3	13.0	8.3	12.7
DSS 4-2	1/4	6.35	1/8	4.8	5/8	15.88	5/8	15.88	39.5	26.0	47.0	33.5	15.4	11.5	10.2
DSS 4-4	1/4	6.35	1/4	4.8	3/4	19.05	5/8	15.88	44.5	26.0	52.0	33.5	15.4	11.5	10.2
DSS 5-4	5/16	7.94	1/4	6.4	3/4	19.05	11/16	17.46	46.9	28.5	54.4	36.0	16.3	13.1	10.9
DSS 6-4	3/8	9.53	1/4	7.1	3/4	19.05	3/4	19.05	48.0	29.5	55.5	37.0	17.0	14.7	11.2
DSS 6-6	3/8	9.53	3/8	7.1	7/8	22.23	3/4	19.05	49.0	29.5	56.5	37.0	17.0	14.7	11.2
DSS 6-8	3/8	9.53	1/2	7.1	1-1/16	26.99	3/4	19.05	54.1	29.5	61.6	37.0	17.0	14.7	11.2
DSS 8-6	1/2	12.7	3/8	10.4	15/16	23.81	15/16	23.81	51.5	32.0	61.8	42.3	23.0	19.4	12.7
DSS 8-8	1/2	12.7	1/2	10.4	1-1/16	26.99	15/16	23.81	56.5	32.0	66.8	42.3	23.0	19.4	12.7
DSS12-8	3/4	19.05	1/2	15.8	1-1/16	26.99	1-3/16	30.16	62.0	37.3	72.3	47.6	24.6	25.8	16.8

Bl-Lok	DSS	Bulkhead Female Connector Connects fractional tube to male ISO tapered pipe thread
---------------	------------	--

H : See dimensional data(Last page)

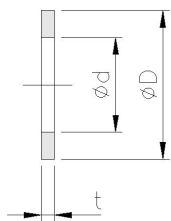
Part No.	A (Tube O. D)		T	E	h (HEX)		h ₁ (HEX)		l	l ₁	L	L ₁	F	Panel	
	in	mm			R _c	mm	in	mm						in	mm
DSS 2-R2	1/8	3.18	1/8	2.3	9/16	14.29	1/2	12.7	38.0	24.6	44.7	31.3	13.0	8.3	12.7
DSS 4-R2	1/4	6.35	1/8	4.8	5/8	15.88	5/8	15.88	39.5	26.0	47.0	33.5	15.4	11.5	10.2
DSS 4-R4	1/4	6.35	1/4	4.8	3/4	19.05	5/8	15.88	44.5	26.0	52.0	33.5	15.4	11.5	10.2
DSS 4-R6	1/4	6.35	3/8	4.8	7/8	22.23	5/8	15.88	47.0	26.0	54.5	33.5	15.4	11.5	10.2
DSS 5-R4	5/16	7.94	1/4	6.4	3/4	19.05	11/16	17.46	46.9	28.5	54.4	36.0	16.3	13.1	10.9
DSS 6-R4	3/8	9.53	1/4	7.1	3/4	19.05	3/4	19.05	48.0	29.5	55.5	37.0	17.0	14.7	11.2
DSS 6-R6	3/8	9.53	3/8	7.1	7/8	22.23	3/4	19.05	50.0	29.5	57.5	37.0	17.0	14.7	11.2
DSS 6-R8	3/8	9.53	1/2	7.1	1-1/16	26.99	3/4	19.05	54.1	29.5	61.6	37.0	17.0	14.7	11.2
DSS 8-R4	1/2	12.7	1/4	10.4	13/16	20.64	15/16	23.81	51.5	32.0	61.8	42.3	23.0	19.4	12.7
DSS 8-R6	1/2	12.7	3/8	10.4	15/16	23.81	15/16	23.81	52.5	32.0	62.8	42.3	23.0	19.4	12.7
DSS 8-R8	1/2	12.7	1/2	10.4	1-1/16	26.99	15/16	23.81	56.5	32.0	66.8	42.3	23.0	19.4	12.7
DSS10-R8	5/8	15.88	1/2	12.7	1-1/16	26.99	1-1/16	26.99	57.1	32.5	67.4	42.8	24.6	22.6	12.7

BI-Lok	DGA	Gauge Connector Connects fractional tube to ISO parallel thread
---------------	------------	---



H : See dimensional data (Last page)

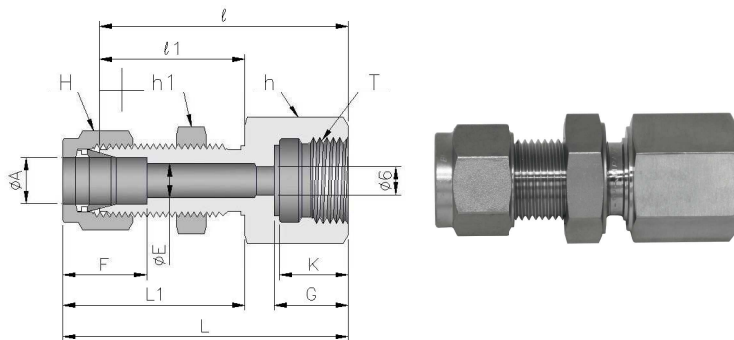
Part No.	A (Tube O.D)		T	E	h (HEX)		l	L	G	F	K
	in	mm	G	mm	in	mm	mm	mm	mm	mm	mm
DGA 2-G2	1/8	3.18	1/8	2.3	9/16	14.29	28.7	35.4	13.0	12.0	12.0
DGA 2-G4	1/8	3.18	1/4	2.3	3/4	19.05	30.7	37.4	13.0	14.0	12.0
DGA 4-G2	1/4	6.35	1/8	4.8	9/16	14.29	30.3	37.8	13.0	12.0	12.0
DGA 4-G4	1/4	6.35	1/4	4.8	3/4	19.05	32.1	39.6	13.0	14.0	12.0
DGA 4-G6	1/4	6.35	3/8	4.8	7/8	22.23	34.1	41.6	15.0	16.0	14.0
DGA 4-G8	1/4	6.35	1/2	4.8	1-1/16	26.99	36.1	43.6	17.0	18.0	16.0
DGA 6-G2	3/8	9.53	1/8	7.1	5/8	15.88	29.0	36.5	13.0	12.0	12.0
DGA 6-G4	3/8	9.53	1/4	7.1	3/4	19.05	30.9	38.4	13.0	14.0	12.0
DGA 6-G6	3/8	9.53	3/8	7.1	7/8	22.23	32.7	40.2	15.0	16.0	14.0
DGA 6-G8	3/8	9.53	1/2	7.1	1-1/16	26.99	34.7	42.2	17.0	18.0	16.0
DGA 8-G4	1/2	12.7	1/4	10.4	13/16	20.64	31.9	42.2	13.0	14.0	12.0
DGA 8-G6	1/2	12.7	3/8	10.4	7/8	22.23	33.7	44.0	15.0	16.0	14.0
DGA 8-G8	1/2	12.7	1/2	10.4	1-1/16	26.99	35.7	46.0	17.0	18.0	16.0
DGA 12-G4	3/4	19.05	1/4	12.7	1-1/16	26.99	34.7	45.0	13.0	14.0	12.0
DGA 12-G6	3/4	19.05	3/8	12.7	1-1/16	26.99	36.7	47.0	15.0	16.0	14.0
DGA 12-G8	3/4	19.05	1/2	12.7	1-1/16	26.99	38.7	49.0	17.0	18.0	16.0



Gasket Material : PTFE

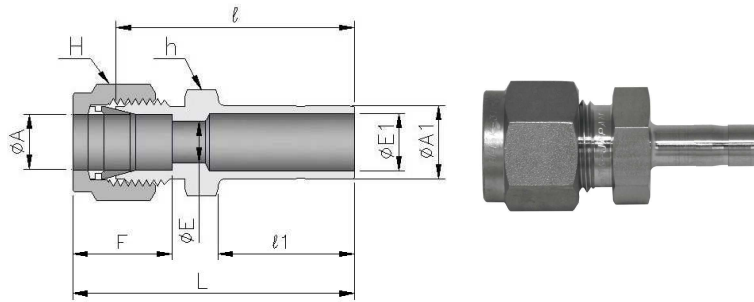
Part No.	T	D	d	t
KP-F-01	G1/4	11	5.5	2
KP-F-02	G3/8	14	5.5	2
KP-F-03	G1/2	18	5.5	2

BI-Lok	DGB	Bulkhead Gauge Connector Connects fractional tube to ISO parallel thread
---------------	------------	--



H : See dimensional data (Last page)

Part No.	A (Tube O.D)		T	E	E ₁	h (HEX)	h ₁ (HEX)	L	l	L ₁	l ₁	G	F	Panel Hole	Panel Thic	K
	in	mm	G	mm	mm	in	in	mm	mm	mm	mm	mm	mm	mm	mm	mm
DGB 6-G6	3/8	9.53	3/8	7.1	6.0	7/8	3/4	58.0	50.5	37.0	29.5	15.0	17.0	14.7	11.2	14.0

BI-Lok**DRE****Reducer**
Connects fractional tube to metric BI-LOK port

H : See dimensional data(Last page)

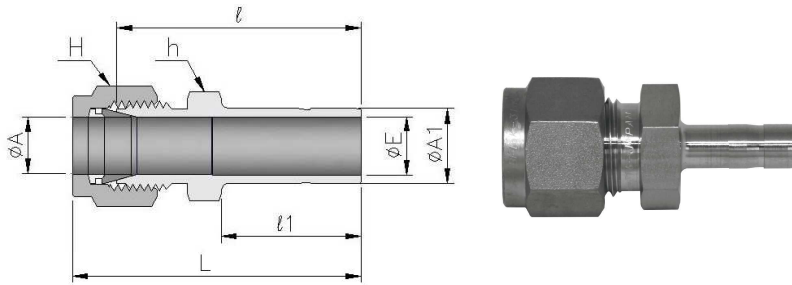
Part No.	A (Tube O.D)		A ₁	E	E ₁	h (HEX)		l	l ₁	L	F
	in	mm				in	mm				
DRE 1-6M	1/16	1.59	6	1.3	4.0	7/16	11.11	28.7	16.5	32.7	8.9
DRE 2-6M	1/8	3.18	6	2.3	4.0	7/16	11.11	30.2	16.5	36.9	13.0
DRE 4-3M	1/4	6.35	3	4.8	1.5	1/2	12.7	29.7	14.0	37.2	15.4
DRE 4-6M	1/4	6.35	6	4.8	4.0	1/2	12.7	32.6	16.5	40.1	15.4
DRE 6-6M	3/8	9.53	6	7.1	4.0	5/8	15.88	34.8	16.5	42.3	17.0
DRE 6-10M	3/8	9.53	10	7.1	8.0	5/8	15.88	36.3	18.0	43.8	17.0
DRE 8-12M	1/2	12.7	12	10.4	9.5	13/16	20.64	43.3	23.5	53.6	23.0

BI-Lok**DRE****Reducer
Connects fractional tube to fractional BI-LOK port**

H : See dimensional data(Last page)

Part No.	A(Tube O.D)		A ₁ (Tube O.D)		E	E ₁	h(HEX)		l	l ₁	L	F
	in	mm	in	mm	mm	mm	in	mm	mm	mm	mm	mm
DRE 1-2	1/16	1.59	1/8	3.18	1.3	2.0	5/16	7.94	25.4	14.0	29.4	8.9
DRE 1-4	1/16	1.59	1/4	6.35	1.3	4.8	5/16	7.94	27.9	16.5	31.9	8.9
DRE 1-6	1/16	1.59	3/8	9.53	1.3	7.1	7/16	11.11	30.0	18.0	34.0	8.9
DRE 2-2	1/8	3.18	1/8	3.18	2.3	2.0	7/16	11.11	27.0	14.0	33.7	13.0
DRE 2-3	1/8	3.18	3/16	4.76	2.3	3.0	7/16	11.11	27.7	14.8	34.4	13.0
DRE 2-4	1/8	3.18	1/4	6.35	2.3	4.8	7/16	11.11	29.5	16.5	36.2	13.0
DRE 2-5	1/8	3.18	5/16	7.94	2.3	6.4	7/16	11.11	30.2	17.2	36.9	13.0
DRE 2-6	1/8	3.18	3/8	9.53	2.3	7.1	7/16	11.11	31.0	18.0	37.7	13.0
DRE 2-8	1/8	3.18	1/2	12.7	2.3	9.9	9/16	14.29	37.4	23.5	44.1	13.0
DRE 3-4	3/16	4.76	1/4	6.35	3.0	4.8	7/16	11.11	30.5	16.5	37.2	13.8
DRE 3-5	3/16	4.76	5/16	7.94	3.0	6.4	7/16	11.11	31.2	17.2	37.9	13.8
DRE 3-8	3/16	4.76	1/2	12.7	3.0	9.9	9/16	14.29	38.0	23.5	46.8	13.8
DRE 4-2	1/4	6.35	1/8	3.18	4.8	2.0	1/2	12.7	29.5	14.0	37.0	15.4
DRE 4-3	1/4	6.35	3/16	4.76	4.8	3.0	1/2	12.7	30.2	14.8	37.7	15.4
DRE 4-4	1/4	6.35	1/4	6.35	4.8	4.8	1/2	12.7	31.8	16.5	39.3	15.4
DRE 4-5	1/4	6.35	5/16	7.94	4.8	6.4	1/2	12.7	32.5	17.2	40.0	15.4
DRE 4-6	1/4	6.35	3/8	9.53	4.8	7.1	1/2	12.7	33.3	18.0	40.8	15.4
DRE 4-8	1/4	6.35	1/2	12.7	4.8	9.9	9/16	14.29	39.0	23.5	46.5	15.4
DRE 4-10	1/4	6.35	5/8	15.88	4.8	12.7	11/16	17.46	40.7	25.2	48.2	15.4
DRE 4-12	1/4	6.35	3/4	19.05	4.8	15.0	7/8	22.23	43.0	25.2	50.5	15.4
DRE 5-6	5/16	7.94	3/8	9.53	6.4	7.1	9/16	14.29	34.6	18.0	42.1	16.3
DRE 5-8	5/16	7.94	1/2	12.7	6.4	9.9	9/16	14.29	40.1	23.5	47.6	16.3
DRE 6-2	3/8	9.53	1/8	3.18	7.1	2.0	5/8	15.88	31.5	14.0	39.0	17.0
DRE 6-3	3/8	9.53	3/16	4.76	7.1	3.0	5/8	15.88	32.3	14.8	39.8	17.0
DRE 6-4	3/8	9.53	1/4	6.35	7.1	4.8	5/8	15.88	34.0	16.5	41.5	17.0
DRE 6-5	3/8	9.53	5/16	7.94	7.1	6.4	5/8	15.88	34.7	17.2	42.2	17.0
DRE 6-6	3/8	9.53	3/8	9.53	7.1	7.1	5/8	15.88	35.5	18.0	43.0	17.0
DRE 6-8	3/8	9.53	1/2	12.7	7.1	9.9	5/8	15.88	41.0	23.5	48.5	17.0
DRE 6-10	3/8	9.53	5/8	15.88	7.1	12.7	11/16	17.46	42.9	25.2	50.4	17.0
DRE 6-12	3/8	9.53	3/4	19.05	7.1	15.0	13/16	20.64	43.0	25.2	50.5	17.0
DRE 6-14	3/8	9.53	7/8	22.23	7.1	17.3	15/16	23.81	46.0	27.0	53.5	17.0
DRE 8-4	1/2	12.7	1/4	6.35	10.4	4.8	13/16	20.64	35.5	16.5	45.8	23.0
DRE 8-6	1/2	12.7	3/8	9.53	10.4	7.1	13/16	20.64	37.0	18.0	47.3	23.0
DRE 8-8	1/2	12.7	1/2	12.7	10.4	9.9	13/16	20.64	42.5	23.5	52.8	23.0
DRE 8-10	1/2	12.7	5/8	15.88	10.4	12.7	13/16	20.64	43.7	25.2	54.0	23.0
DRE 8-12	1/2	12.7	3/4	19.05	10.4	15.0	13/16	20.64	43.7	25.2	54.0	23.0
DRE 8-16	1/2	12.7	1	25.4	10.4	20.1	1-1/16	26.99	50.0	32.5	60.3	23.0
DRE 10-8	5/8	15.88	1/2	12.7	12.7	9.9	15/16	23.81	43.0	23.5	53.3	24.6
DRE 10-12	5/8	15.88	3/4	19.05	12.7	15.0	15/16	23.81	44.5	25.2	54.8	24.6
DRE 10-14	5/8	15.88	7/8	22.23	12.7	17.3	15/16	23.81	46.0	27.0	56.3	24.6
DRE 10-16	5/8	15.88	1	25.4	12.7	20.1	1-1/16	26.99	51.5	32.5	61.8	24.6
DRE 12-4	3/4	19.05	1/4	6.35	15.8	4.8	1-1/16	26.99	37.9	16.5	48.2	24.6
DRE 12-6	3/4	19.05	3/8	9.53	15.8	7.1	1-1/16	26.99	39.4	18.0	49.7	24.6
DRE 12-8	3/4	19.05	1/2	12.7	15.8	9.9	1-1/16	26.99	45.5	23.5	55.8	24.6
DRE 12-10	3/4	19.05	5/8	15.88	15.8	12.7	1-1/16	26.99	46.0	25.2	56.3	24.6
DRE 12-14	3/4	19.05	7/8	22.23	15.8	17.3	1-1/16	26.99	47.0	27.0	57.3	24.6
DRE 12-16	3/4	19.05	1	25.4	15.8	20.1	1-1/16	26.99	52.5	32.5	62.8	24.6
DRE 14-6	7/8	22.23	3/8	9.53	18.3	7.1	1-3/16	30.16	41.5	18.0	51.7	26.1
DRE 14-12	7/8	22.23	3/4	19.05	18.3	15.0	1-3/16	30.16	48.3	25.2	58.5	26.1
DRE 16-8	1	25.4	1/2	12.7	22.5	9.9	1-3/8	34.93	51.5	23.5	64.1	31.6
DRE 16-12	1	25.4	3/4	19.05	22.5	15.0	1-3/8	34.93	53.2	25.2	65.8	31.6
DRE 16-14	1	25.4	7/8	22.23	22.5	17.3	1-3/8	34.93	53.2	27.0	65.8	31.6

BI-Lok	DREZ	Reducer/ Bored-through Connects fractional tube to fractional BI-LOK port
---------------	-------------	---



H : See dimensional data(Last page)

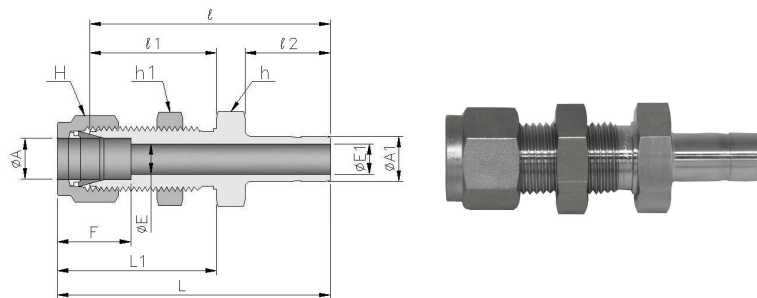
Part No.	A (Tube O. D)		A ₁ (Tube O. D)		E	h (HEX)		l	l ₁	L
	in	mm	in	mm		in	mm			
DREZ 1-2	1/16	1.59	1/8	3.18	2.0	5/16	7.94	25.4	14.0	29.4
DREZ 1-4	1/16	1.59	1/4	6.35	4.8	5/16	7.94	27.9	16.5	31.9
DREZ 1-6	1/16	1.59	3/8	9.53	7.1	7/16	11.11	30.0	18.0	34.0
DREZ 2-4	1/8	3.18	1/4	6.35	4.8	7/16	11.11	29.5	16.5	36.2
DREZ 2-6	1/8	3.18	3/8	9.53	7.1	7/16	11.11	31.0	18.0	37.7
DREZ 4-6	1/4	6.35	3/8	9.53	7.1	1/2	12.7	33.3	18.0	40.8
DREZ 4-8	1/4	6.35	1/2	12.7	9.9	9/16	14.29	39.0	23.5	46.5
DREZ 6-10	3/8	9.53	5/8	15.88	12.7	11/16	17.46	42.9	25.2	50.4
DREZ 6-12	3/8	9.53	3/4	19.05	15.0	13/16	20.64	43.0	25.2	50.5

BI-Lok	DREZ	Reducer/ Bored-through Connects fractional tube to Metric BI-LOK port
---------------	-------------	---

H : See dimensional data(Last page)

Part No.	A (Tube O. D)		A ₁ (Tube O. D)	E	h (HEX)		l	l ₁	L
	in	mm			in	mm			
DREZ 1-6M	1/16	1.59	6	4.0	7/16	11.11	28.7	16.5	32.7
DREZ 2-6M	1/8	3.18	6	4.0	7/16	11.11	30.2	16.5	36.9
DREZ 2-10M	1/8	3.18	10	8.0	7/16	11.11	34.2	18.0	41.7

BI-Lok	DSE	Bulkhead Reducer Connects fractional tube to fractional BI-LOK Port
---------------	------------	---

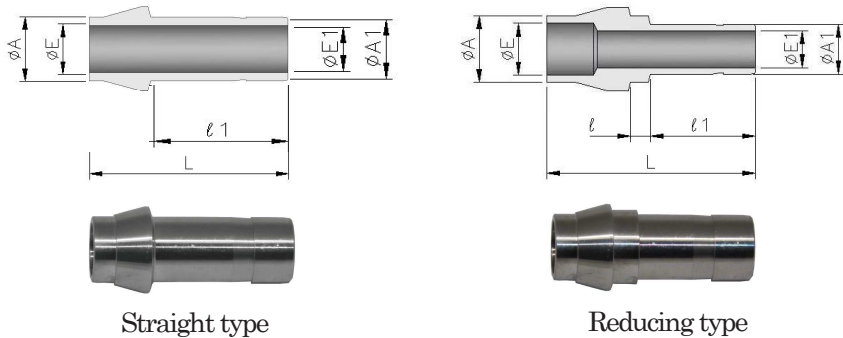


Part No.	Panel	
	Hole	Thick
DSE 2-2	8.3	12.7
DSE 4-4	11.5	10.2
DSE 5-5	13.1	10.9
DSE 6-6	14.7	11.2
DSE 8-8	19.4	12.7

H : See dimensional data(Last page)

Part No.	A (Tube O. D)		A ₁ (Tube O. D)		E	E ₁	h (HEX)		l	l ₁	l ₂	L	L ₁	F
	in	mm	in	mm			in	mm						
DSE 2-2	1/8	3.18	1/8	3.18	2.3	1.8	1/2	12.7	42.9	24.6	14.0	49.6	31.3	13.0
DSE 4-4	1/4	6.35	1/4	6.35	4.8	4.8	5/8	15.88	48.3	26.0	16.5	55.8	33.5	15.4
DSE 5-5	5/16	7.94	5/16	7.94	6.4	6.4	11/16	17.46	52.1	28.5	17.2	59.6	36.0	16.3
DSE 6-6	3/8	9.53	3/8	9.53	7.1	7.1	3/4	19.05	54.1	29.5	18.0	61.6	37.0	17.0
DSE 8-8	1/2	12.7	1/2	12.7	10.4	9.9	15/16	23.81	62.7	32.0	23.5	73.0	42.3	23.0

BI-Lok	D P C	Port Connector Connects to fractional BI-LOK Port
---------------	--------------	--

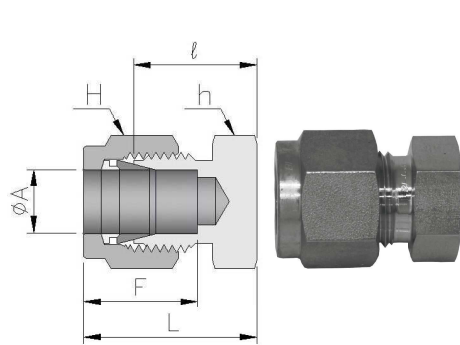


Part No.	A (Tube O. D)		A ₁ (Tube O. D)		E	E ₁	L	l ₁	l
	in	mm	in	mm	mm	mm	mm	mm	mm
DPC 1-1	1/16	1.59	1/16	1.59	0.6	0.6	15.4	10.0	—
DPC 2-1	1/8	3.18	1/16	1.59	2.1	0.6	21.0	10.0	2.8
DPC 2-2	1/8	3.18	1/8	3.18	2.1	2.1	24.6	16.3	—
DPC 4-1	1/4	6.35	1/16	1.59	4.8	0.6	22.4	10.0	3.6
DPC 4-2	1/4	6.35	1/8	3.18	4.8	2.1	28.7	16.3	3.6
DPC 4-4	1/4	6.35	1/4	6.35	4.8	4.8	27.7	18.8	—
DPC 5-5	5/16	7.94	5/16	7.94	6.3	6.3	28.9	20.0	—
DPC 6-4	3/8	9.53	1/4	6.35	7.6	4.8	31.5	18.8	3.6
DPC 6-6	3/8	9.53	3/8	9.53	7.6	7.6	29.5	20.3	—
DPC 8-4	1/2	12.7	1/4	6.35	9.9	4.8	38.7	18.8	3.8
DPC 8-6	1/2	12.7	3/8	9.53	9.9	7.6	40.2	20.3	3.8
DPC 8-8	1/2	12.7	1/2	12.7	9.9	9.9	42.4	26.2	—
DPC 10-10	5/8	15.88	5/8	15.88	12.7	12.7	45.8	27.7	—
DPC 12-6	3/4	19.05	3/8	9.53	15.0	7.6	42.2	20.3	3.8
DPC 12-8	3/4	19.05	1/2	12.7	15.0	9.9	45.0	23.1	3.8
DPC 12-12	3/4	19.05	3/4	19.05	15.0	15.0	45.8	27.7	—
DPC 16-16	1	25.4	1	25.4	20.1	20.1	58.0	36.0	—

BI-Lok	D P C	Port Connector Connects fractional BI-LOK Port to metric BI-LOK Port
---------------	--------------	---

Part No.	A (Tube O. D)		A ₁ (Tube O. D)	E	E ₁	L	l ₁	l
	in	mm	mm	mm	mm	mm	mm	mm
DPC 4-6M	1/4	6.35	6	4.8	4.0	31.4	19.0	3.6

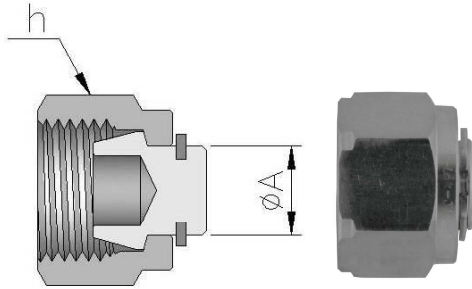
BI-Lok	D C A	Cap Caps end of fractional tube
---------------	--------------	--



H : See dimensional data (Last page)

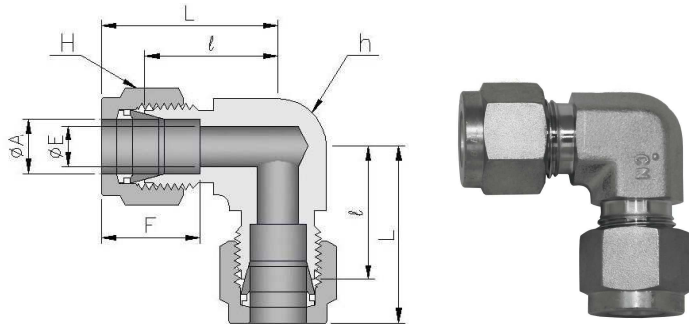
Part No.	A (Tube O. D)		h (HEX)		l	L	F
	in	mm	in	mm	mm	mm	mm
DCA 1	1/16	1.59	5/16	7.94	11.0	15.0	8.9
DCA 2	1/8	3.18	7/16	11.11	13.5	20.2	13.0
DCA 3	3/16	4.76	7/16	11.11	15.0	21.7	13.8
DCA 4	1/4	6.35	1/2	12.7	16.0	23.5	15.4
DCA 5	5/16	7.94	9/16	14.29	17.0	24.5	16.3
DCA 6	3/8	9.53	5/8	15.88	18.5	26.0	17.0
DCA 8	1/2	12.7	13/16	20.64	19.5	29.8	23.0
DCA 10	5/8	15.88	15/16	23.81	20.0	30.3	24.6
DCA 12	3/4	19.05	1-1/16	26.99	21.5	31.8	24.6
DCA 14	7/8	22.23	1-3/16	30.16	23.9	34.1	26.1
DCA 16	1	25.4	1-3/8	34.93	26.1	38.7	31.6

<i>Bl-Lok</i>	DBA	Plug Fractional tube
---------------	------------	---------------------------------



Part No.	A (Tube O.D)		H (HEX)	
	in	mm	in	mm
DBA 1	1/16	1.59	5/16	7.94
DBA 2	1/8	3.18	7/16	11.11
DBA 3	3/16	4.76	1/2	12.7
DBA 4	1/4	6.35	9/16	14.29
DBA 5	5/16	7.94	5/8	15.88
DBA 6	3/8	9.53	11/16	17.46
DBA 8	1/2	12.7	7/8	22.23
DBA 10	5/8	15.88	1	25.4
DBA 12	3/4	19.05	1-1/8	28.58
DBA 14	7/8	22.23	1-1/4	31.75
DBA 16	1	25.4	1-1/2	38.1

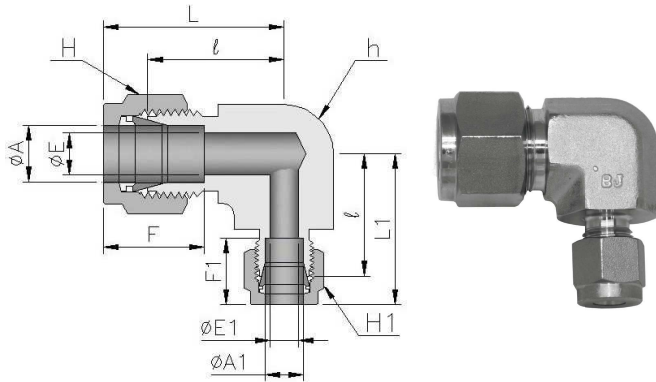
<i>Bl-Lok</i>	DLA	Union Elbow Connects fractional tubes
---------------	------------	--



H : See dimensional data(Last page)

Part No.	A(Tube O.D)		E	h(Flat)		l	L	F
	in	mm		in	mm			
DLA 1	1/16	1.59	1.3	3/8	9.5	14.2	18.2	8.9
DLA 2	1/8	3.18	2.3	3/8	9.5	15.8	22.5	13.0
DLA 3	3/16	4.76	3.0	1/2	12.7	19.0	25.7	13.8
DLA 4	1/4	6.35	4.8	1/2	12.7	20.0	27.5	15.4
DLA 5	5/16	7.94	6.4	5/8	15.9	22.4	29.9	16.3
DLA 6	3/8	9.53	7.1	5/8	15.9	23.0	30.5	17.0
DLA 8	1/2	12.7	10.4	13/16	20.6	25.0	35.3	23.0
DLA 10	5/8	15.88	12.7	15/16	23.8	27.0	37.3	24.6
DLA 12	3/4	19.05	15.8	1-1/16	27.0	28.2	38.5	24.6
DLA 14	7/8	22.23	18.3	1-1/4	31.8	32.5	42.7	26.1
DLA 16	1	25.4	22.5	1-5/16	33.3	33.3	45.9	31.6

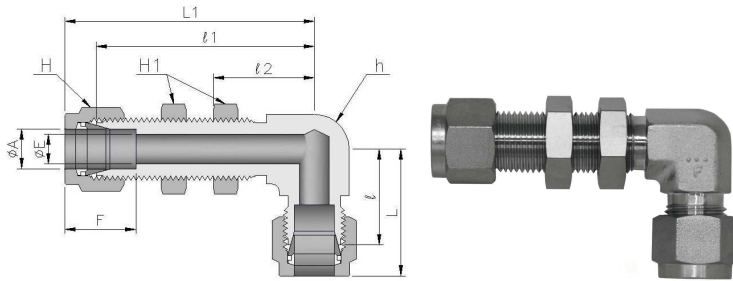
Bl-Lok	DLR	Reducing Union Elbow Connects fractional tubes
---------------	------------	---



H, H₁ : See dimensional data(Last page)

Part No.	A(Tube O. D)		A ₁ (Tube O. D)		E	E ₁	h(Flat)		l	L	L ₁	F	F ₁
	in	mm	in	mm	mm	mm	in	mm	mm	mm	mm	mm	mm
DLR 6-4	3/8	9.53	1/4	6.35	7.1	4.8	5/8	15.9	23.0	30.5	30.5	17.0	15.4
DLR 6-5	3/8	9.53	5/16	7.94	7.1	6.4	5/8	15.9	23.0	30.5	30.5	17.0	16.3
DLR 8-6	1/2	12.7	3/8	9.53	10.4	7.1	13/16	20.6	25.0	35.2	32.4	23.0	17.0
DLR 12-4	3/4	19.05	1/4	6.35	15.8	4.8	1-1/16	27.0	28.2	38.5	35.7	24.6	15.4
DLR 12-6	3/4	19.05	3/8	9.53	15.8	7.1	1-1/16	27.0	28.2	38.5	35.7	24.6	17.0
DLR 12-8	3/4	19.05	1/2	12.7	15.8	10.4	1-1/16	27.0	28.2	38.5	38.5	24.6	23.0

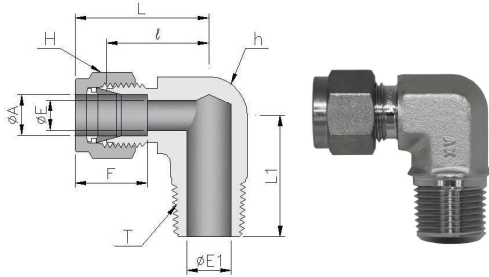
Bl-Lok	DSL	Bulkhead Union Elbow Connects fractional tubes
---------------	------------	---



H : See dimensional data(Last page)

Part No	A(Tube O. D)		E	h(Flat)		H ₁ (HEX)		l	l ₁	l ₂	L	L ₁	F	Panel	
	in	mm	mm	in	mm	in	mm	mm	mm	mm	mm	mm	mm	Hole	Thick
DSL 2	1/8	3.18	2.3	3/8	9.5	1/2	12.7	15.8	42.5	14.5	22.5	49.2	13.0	8.3	15.2
DSL 3	3/16	4.76	3.0	1/2	12.7	9/16	14.29	19.0	45.0	15.5	25.7	51.7	13.8	9.9	15.5
DSL 4	1/4	6.35	4.8	1/2	12.7	5/8	15.88	20.0	46.0	16.0	27.5	53.5	15.4	11.5	15.5
DSL 5	5/16	7.94	6.4	5/8	15.9	11/16	17.46	22.5	51.5	17.5	30.0	59.0	16.3	13.1	18.8
DSL 6	3/8	9.53	7.1	5/8	15.9	3/4	19.05	23.0	52.5	17.5	30.5	60.0	17.0	14.7	18.8
DSL 8	1/2	12.7	10.4	13/16	20.6	15/16	23.81	24.0	57.5	20.5	34.3	67.8	23.0	19.4	18.8
DSL 10	5/8	15.88	12.7	15/16	23.8	1-1/16	26.99	27.0	61.5	23.5	37.3	71.8	24.6	22.6	12.7
DSL 12	3/4	19.05	15.8	1-1/16	27.0	1-3/16	30.16	28.2	68.0	25.5	38.5	78.3	24.6	25.8	16.8

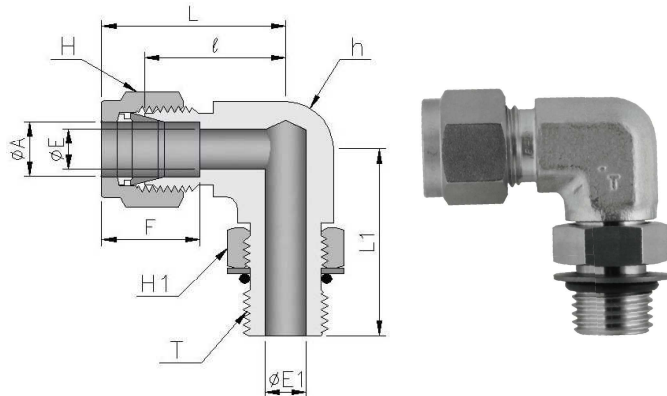
Bl-Lok	DLN	Male Elbow Connects fractional tube to female tapered pipe thread
---------------	------------	---



H : See dimensional data(Last page)

Part No.		A(Tube O. D)		T	E	E ₁	h(Flat)		l	L	L ₁	F
ANSI NPT	ISO/JIS R	in	mm	NPT/R	mm	mm	in	mm	mm	mm	mm	mm
DLN 1-1		1/16	1.59	1/16	1.3	3.0	7/16	11.1	14.2	18.2	18.5	8.9
DLN 1-2	DLN 1-R2	1/16	1.59	1/8	1.3	4.8	7/16	11.1	14.2	18.2	18.5	8.9
DLN 2-1		1/8	3.18	1/16	2.3	3.0	7/16	11.1	16.8	23.5	18.5	13.0
DLN 2-2	DLN 2-R2	1/8	3.18	1/8	2.3	4.8	7/16	11.1	16.8	23.5	18.5	13.0
DLN 2-4	DLN 2-R4	1/8	3.18	1/4	2.3	4.8	1/2	12.7	18.3	25.0	24.0	13.0
DLN 2-6		1/8	3.18	3/8	2.3	9.4	11/16	17.5	22.5	29.2	28.5	13.0
DLN 2-8		1/8	3.18	1/2	2.3	7.1	13/16	20.6	22.5	28.7	33.5	13.0
DLN 3-2	DLN 3-R2	3/16	4.76	1/8	3.0	4.8	1/2	12.7	19.0	25.7	19.0	13.8
DLN 3-4		3/16	4.76	1/4	3.0	6.0	1/2	12.7	19.0	25.7	24.0	13.8
DLN 4-1		1/4	6.35	1/16	4.8	3.0	1/2	12.7	20.0	27.5	19.0	15.4
DLN 4-2	DLN 4-R2	1/4	6.35	1/8	4.8	4.8	1/2	12.7	20.0	27.5	19.0	15.4
DLN 4-4	DLN 4-R4	1/4	6.35	1/4	4.8	6.0	1/2	12.7	20.0	27.5	24.0	15.4
DLN 4-6	DLN 4-R6	1/4	6.35	3/8	4.8	9.4	11/16	17.5	22.5	30.0	28.5	15.4
DLN 4-8	DLN 4-R8	1/4	6.35	1/2	4.8	10.4	13/16	20.6	24.5	32.0	33.5	15.4
DLN 4-12		1/4	6.35	3/4	4.8	12.7	1-1/16	27.0	28.2	35.7	35.5	15.4
DLN 5-2	DLN 5-R2	5/16	7.94	1/8	6.4	4.8	5/8	15.9	22.4	29.9	20.5	16.3
DLN 5-4	DLN 5-R4	5/16	7.94	1/4	6.4	7.1	5/8	15.9	22.4	29.9	25.5	16.3
DLN 5-6	DLN 5-R6	5/16	7.94	3/8	6.4	10.4	11/16	17.5	24.0	31.5	28.5	16.3
	DLN 5-R8	5/16	7.94	1/2	6.4	12.7	13/16	20.6	25.4	32.9	32.0	16.3
DLN 6-2	DLN 6-R2	3/8	9.53	1/8	7.1	4.8	5/8	15.9	23.0	30.5	20.5	17.0
DLN 6-4	DLN 6-R4	3/8	9.53	1/4	7.1	6.0	5/8	15.9	23.0	30.5	25.5	17.0
DLN 6-6	DLN 6-R6	3/8	9.53	3/8	7.1	10.4	11/16	17.5	24.0	31.5	28.5	17.0
DLN 6-8	DLN 6-R8	3/8	9.53	1/2	7.1	12.7	13/16	20.6	26.2	33.7	32.0	17.0
DLN 6-12		3/8	9.53	3/4	7.1	18.3	1-1/16	27.0	28.2	35.7	35.5	17.0
	DLN 6-R12	3/8	9.53	3/4	7.1	18.3	1-1/16	27.0	28.2	35.7	37.5	17.0
DLN 8-2	DLN 8-R2	1/2	12.7	1/8	10.4	4.8	13/16	20.6	25.0	35.3	23.5	23.0
DLN 8-4	DLN 8-R4	1/2	12.7	1/4	10.4	7.1	13/16	20.6	25.0	35.3	27.5	23.0
DLN 8-6	DLN 8-R6	1/2	12.7	3/8	10.4	10.4	13/16	20.6	25.0	35.3	27.5	23.0
DLN 8-8	DLN 8-R8	1/2	12.7	1/2	10.4	12.7	13/16	20.6	26.2	36.5	33.5	23.0
DLN 8-12		1/2	12.7	3/4	10.4	18.3	1-1/16	27.0	28.2	38.5	35.5	23.0
	DLN 8-R12	1/2	12.7	3/4	10.4	18.3	1-1/16	27.0	28.2	38.5	37.5	23.0
DLN 8-16	DLN 8-R16	1/2	12.7	1	10.4	22.5	1-5/16	33.3	31.8	42.1	46.7	23.0
DLN 10-4		5/8	15.88	1/4	12.7	7.1	15/16	23.8	27.0	37.3	29.5	24.6
DLN 10-6	DLN 10-R6	5/8	15.88	3/8	12.7	10.4	15/16	23.8	27.0	37.3	29.5	24.6
DLN 10-8	DLN 10-R8	5/8	15.88	1/2	12.7	12.7	15/16	23.8	27.0	37.3	34.0	24.6
DLN 10-12	DLN 10-R12	5/8	15.88	3/4	12.7	18.3	1-1/16	27.0	28.2	38.5	37.5	24.6
DLN 12-4	DLN 12-R4	3/4	19.05	1/4	15.8	7.1	1-1/16	27.0	28.2	38.5	30.5	24.6
DLN 12-6		3/4	19.05	3/8	15.8	10.4	1-1/16	27.0	28.2	38.5	30.5	24.6
DLN 12-8	DLN 12-R8	3/4	19.05	1/2	15.8	12.7	1-1/16	27.0	28.2	38.5	35.5	24.6
DLN 12-12		3/4	19.05	3/4	15.8	18.3	1-1/16	27.0	28.2	38.5	35.5	24.6
	DLN 12-R12	3/4	19.05	3/4	15.8	18.3	1-1/16	27.0	28.2	38.5	37.5	24.6
DLN 12-16	DLN 12-R16	3/4	19.05	1	15.8	22.5	1-5/16	33.3	31.8	42.1	46.7	24.6
DLN 14-12		7/8	22.23	3/4	18.3	18.3	1-1/4	31.8	32.5	42.7	42.0	26.1
	DLN 14-R12	7/8	22.23	3/4	18.3	18.3	1-1/4	31.8	32.5	42.7	44.0	26.1
DLN 16-8	DLN 16-R8	1	25.4	1/2	22.5	12.7	1-5/16	33.3	33.3	45.9	42.0	31.6
DLN 16-12		1	25.4	3/4	22.5	18.3	1-5/16	33.3	33.3	45.9	42.0	31.6
	DLN 16-R12	1	25.4	3/4	22.5	18.3	1-5/16	33.3	33.3	45.9	44.0	31.6
DLN 16-16	DLN 16-R16	1	25.4	1	22.5	22.5	1-5/16	33.3	33.3	45.9	46.7	31.6

BI-Lok	DLO	Positional Male Elbow Connects fractional tube to UNF straight thread
---------------	------------	---



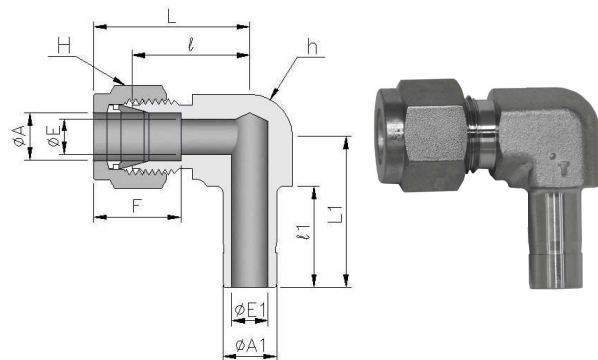
H : See dimensional data(Last page)

Part No.	A(Tube O. D)		T	E	E ₁	h(Flat)		H ₁ (HEX)		l	L	L ₁	F	O-ring AS568 (フッ素ゴム)
	in	mm	UNF	mm	mm	in	mm	in	mm	mm	mm	mm	mm	
DLO 4-4	1/4	6.35	7/16-20	4.8	4.8	5/8	15.9	9/16	14.29	21.0	28.5	28.5	15.4	-904
DLO 4-6	1/4	6.35	9/16-18	4.8	7.1	5/8	15.9	11/16	17.46	23.0	30.5	32.5	15.4	-906
DLO 5-5	5/16	7.94	1/2-20	6.4	6.4	5/8	15.9	5/8	15.88	23.0	30.5	29.5	16.3	-905
DLO 6-6	3/8	9.53	9/16-18	7.1	7.1	5/8	15.9	11/16	17.46	24.5	32.0	32.5	17.0	-906
DLO 6-8	3/8	9.53	3/4-16	7.1	10.4	13/16	20.6	7/8	22.23	27.5	35.0	38.0	17.0	-908
DLO 8-8	1/2	12.7	3/4-16	10.4	10.4	13/16	20.6	7/8	22.23	27.5	37.8	38.0	23.0	-908

BI-Lok	DLO	Positional Male Elbow Connects fractional tube to ISO/parallel thread
---------------	------------	---

Part No.	A(Tube O. D)		T	E	E ₁	h(Flat)		H ₁ (HEX)		l	L	L ₁	F	O-ring JIS B 2401 (フッ素ゴム)
	in	mm	G	mm	mm	in	mm	in	mm	mm	mm	mm	mm	
DLO 4-G4	1/4	6.35	1/4	4.8	6.4	5/8	15.9	3/4	19.05	21.5	29.0	32.5	15.4	4D-P11
DLO 6-G4	3/8	9.53	1/4	7.1	6.4	5/8	15.9	3/4	19.05	23.0	30.5	32.5	17.0	4D-P11
DLO 6-G6	3/8	9.53	3/8	7.1	7.9	13/16	20.6	-	22.0	26.0	33.5	37.0	17.0	4D-P14
DLO 8-G4	1/2	12.7	1/4	10.4	6.4	13/16	20.6	3/4	19.05	26.0	36.3	35.0	23.0	4D-P11
DLO 8-G6	1/2	12.7	3/8	10.4	7.9	13/16	20.6	-	22.0	26.0	36.3	37.0	23.0	4D-P14
DLO 8-G8	1/2	12.7	1/2	10.4	12.0	13/16	20.6	1-1/16	26.99	28.0	38.3	43.5	23.0	4D-P18

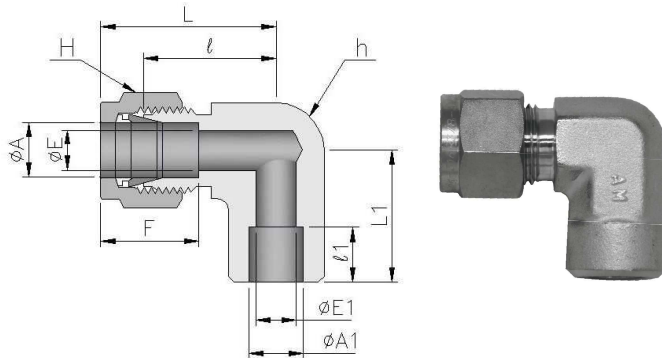
BI-Lok	DLH	Elbow Adapter Connects fractional tubes
---------------	------------	---



H : See dimensional data(Last page)

Part No.	A(Tube O. D)		A ₁ (Tube O. D)	E	E ₁	h(Flat)		l	l ₁	L	L ₁	F	
	in	mm	in	mm	mm	mm	in	mm	mm	mm	mm	mm	
DLH 4-4	1/4	6.35	1/4	6.35	4.8	4.6	5/8	15.9	19.8	16.5	27.3	26.2	15.4
DLH 5-5	5/16	7.94	5/16	7.94	6.4	6.4	5/8	15.9	22.4	17.2	29.9	26.9	16.3
DLH 6-6	3/8	9.53	3/8	9.53	7.1	7.1	5/8	15.9	23.1	18.0	30.6	27.7	17.0
DLH 8-8	1/2	12.7	1/2	12.7	10.4	9.9	13/16	20.6	26.2	23.5	36.5	39.9	23.0

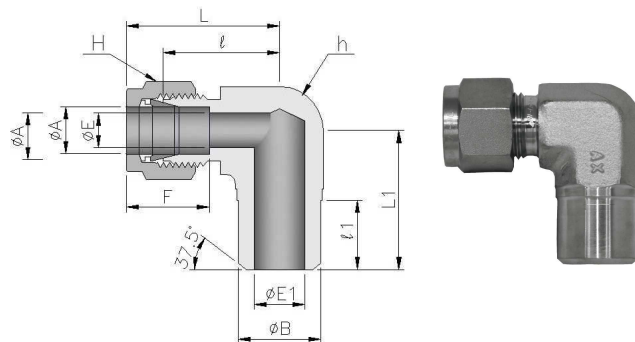
BI-Lok	DLW	Tube socket weld Elbow Connects fractional tubes
---------------	------------	--



H : See dimensional data(Last page)

Part No.	A (Tube O. D)		A ₁ (Tube O. D)		E	E ₁	h (Flat)		l	l ₁	L	L ₁	F
	in	mm	in	mm	mm	mm	in	mm	mm	mm	mm	mm	mm
DLW 2-2	1/8	3.18	1/8	3.18	2.3	2.3	3/8	9.5	15.8	6.4	22.5	15.8	13.0
DLW 3-3	3/16	4.76	3/16	4.76	3.0	3.0	1/2	12.7	19.0	7.1	25.7	19.0	13.8
DLW 4-4	1/4	6.35	1/4	6.35	4.8	4.8	1/2	12.7	19.8	7.9	27.3	19.8	15.4
DLW 6-4	3/8	9.53	1/4	6.35	7.1	4.8	5/8	15.9	23.0	7.9	30.5	23.0	17.0
DLW 6-6	3/8	9.53	3/8	9.53	7.1	7.1	5/8	15.9	23.1	9.7	30.6	23.1	17.0
DLW 8-8	1/2	12.7	1/2	12.7	10.4	10.4	13/16	20.6	25.0	12.7	35.3	25.0	23.0
DLW 10-10	5/8	15.88	5/8	15.88	12.7	12.7	15/16	23.8	27.0	14.2	37.3	27.0	24.6
DLW 12-12	3/4	19.05	3/4	19.05	15.8	15.8	1-1/16	27.0	28.2	14.2	38.5	28.2	24.6
DLW 16-16	1	25.4	1	25.4	22.5	22.5	1-5/16	33.3	33.3	19.1	45.9	33.3	31.6

BI-Lok	DLB	Male pipe weld Elbow Connects fractional tube to pipe
---------------	------------	---



H : See dimensional data(Last page)

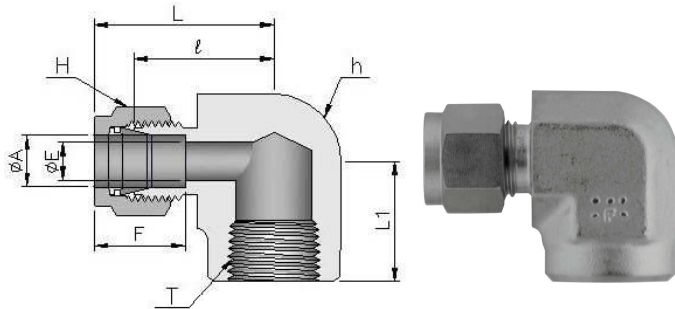
Part No.	A (Tube O. D)		B (Pipe size)		E	E ₁	h (Flat)		L	L ₁	l	l ₁	F
	in	mm	Nom.	mm	mm	mm	in	mm	mm	mm	mm	mm	mm
DLB 2-2	1/8	3.18	1/8	10.3	2.3	5.5	7/16	11.1	23.5	19.1	16.8	9.7	13.0
DLB 3-2	3/16	4.76	1/8	10.3	3.0	5.5	1/2	12.7	25.7	19.1	19.0	9.7	13.8
DLB 4-2	1/4	6.35	1/8	10.3	4.8	5.5	1/2	12.7	27.3	19.1	19.8	9.7	15.4
DLB 4-4	1/4	6.35	1/4	13.7	4.8	7.7	1/2	12.7	27.5	23.9	19.8	14.2	15.4
DLB 6-4	3/8	9.53	1/4	13.7	7.1	7.7	5/8	15.9	30.6	25.4	23.1	14.2	17.0
DLB 6-6	3/8	9.53	3/8	17.1	7.1	10.4	11/16	17.5	31.5	28.5	24.0	14.2	17.0
DLB 6-8	3/8	9.53	1/2	21.3	7.1	13.9	15/16	23.8	33.7	33.5	26.2	19.1	17.0
DLB 8-6	1/2	12.7	3/8	17.1	10.4	10.4	13/16	20.6	35.3	27.5	25.0	14.2	23.0
DLB 8-8	1/2	12.7	1/2	21.3	10.4	13.9	15/16	23.8	36.5	33.5	26.2	19.1	23.0
DLB 12-12	3/4	19.05	3/4	26.5	15.8	18.8	1-1/16	27.0	38.5	35.5	28.2	19.1	24.6
DLB 16-16	1	25.4	1	33.4	22.5	24.3	1-5/16	33.3	45.9	46.7	33.3	26.7	31.6

BI-Lok

D L F

Female Elbow

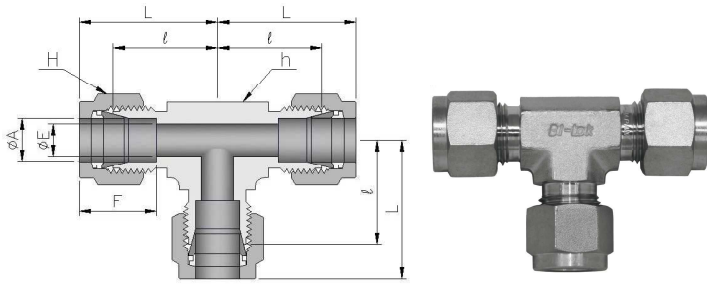
Connects fractional tube to male tapered pipe thread



H : See dimensional data(Last page)

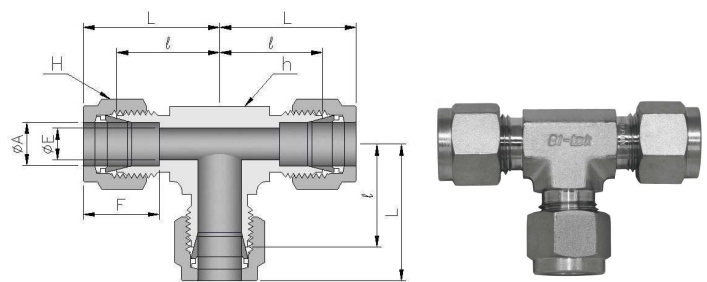
Part No.		A(Tube O. D)		T	E	h(Flat)		I	L	L ₁	F
ANSI NPT	ISO/JIS Rc	in	mm	NPT/Rc	mm	in	mm	mm	mm	mm	mm
DLF 2-2	DLF 2-R2	1/8	3.18	1/8	2.3	5/8	15.9	17.5	24.2	19.0	13.0
DLF 2-4	DLF 2-R4	1/8	3.18	1/4	2.3	13/16	20.6	20.5	27.2	22.5	13.0
DLF 3-2	DLF 3-R2	3/16	4.76	1/8	3.0	5/8	15.9	18.3	25.0	19.0	13.8
DLF 4-2	DLF 4-R2	1/4	6.35	1/8	4.8	5/8	15.9	19.0	26.5	19.0	15.4
DLF 4-4	DLF 4-R4	1/4	6.35	1/4	4.8	13/16	20.6	22.5	30.0	22.5	15.4
DLF 4-6	DLF 4-R6	1/4	6.35	3/8	4.8	15/16	23.8	24.7	32.2	22.5	15.4
DLF 4-8	DLF 4-R8	1/4	6.35	1/2	4.8	1-1/16	27.0	28.2	35.7	28.5	15.4
DLF 5-2	DLF 5-R2	5/16	7.94	1/8	6.4	5/8	15.9	22.5	29.9	19.0	16.3
DLF 5-4	DLF 5-R4	5/16	7.94	1/4	6.4	13/16	20.6	23.1	30.6	22.5	16.3
	DLF 5-R6	5/16	7.94	3/8	6.4	15/16	23.8	26.2	33.7	22.5	16.3
DLF 6-2	DLF 6-R2	3/8	9.53	1/8	7.1	5/8	15.9	23.0	30.5	19.0	17.0
DLF 6-4	DLF 6-R4	3/8	9.53	1/4	7.1	13/16	20.6	24.0	31.5	22.5	17.0
DLF 6-6	DLF 6-R6	3/8	9.53	3/8	7.1	15/16	23.8	26.2	33.7	22.5	17.0
DLF 6-8	DLF 6-R8	3/8	9.53	1/2	7.1	1-1/16	27.0	28.2	36.0	28.5	17.0
DLF 8-4	DLF 8-R2	1/2	12.7	1/8	10.4	13/16	20.6	25.0	35.3	22.5	23.0
	DLF 8-R4	1/2	12.7	1/4	10.4	13/16	20.6	25.0	35.3	22.5	23.0
DLF 8-6	DLF 8-R6	1/2	12.7	3/8	10.4	15/16	23.8	26.2	36.5	22.5	23.0
DLF 8-8	DLF 8-R8	1/2	12.7	1/2	10.4	1-1/16	27.0	28.2	38.5	28.5	23.0
DLF 8-12		1/2	12.7	3/4	10.4	1-5/16	33.3	31.8	42.3	31.8	23.0
DLF 10-6	DLF 10-R6	5/8	15.88	3/8	12.7	15/16	23.8	27.0	37.2	22.5	24.6
DLF 10-8	DLF 10-R8	5/8	15.88	1/2	12.7	1-1/16	27.0	28.2	38.5	28.5	24.6
DLF 12-8	DLF 12-R6	3/4	19.05	3/8	15.8	1-1/16	27.0	28.2	38.5	28.5	24.6
	DLF 12-R8	3/4	19.05	1/2	15.8	1-1/16	27.0	28.2	38.5	28.5	24.6
DLF 12-12	DLF 12-R12	3/4	19.05	3/4	15.8	1-5/16	33.3	31.8	42.1	31.8	24.6
DLF 14-12	DLF 14-R12	7/8	22.23	3/4	18.3	1-5/16	33.3	32.5	42.7	31.8	26.1
DLF 16-6		1	25.4	3/8	22.5	1-5/16	33.3	33.3	45.9	28.5	31.6
DLF 16-12	DLF 16-R12	1	25.4	3/4	22.5	1-5/16	33.3	33.3	45.9	33.3	31.6
DLF 16-16	DLF 16-R16	1	25.4	1	22.5	1-13/16	46.0	40.0	52.6	38.1	31.6

BI-Lok	DTA	Union Tee Connects fractional tubes
---------------	------------	---



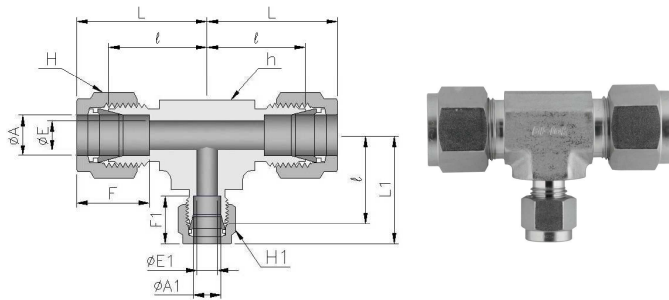
Part	A(Tube O.D)		E	h(Flat)		H(HEX)		l	L	F
	in	mm		in	mm	in	mm			
DTA 1	1/16	1.59	1.3	3/8	9.5	5/16	7.94	14.2	18.2	8.9
DTA 2	1/8	3.18	2.3	3/8	9.5	7/16	11.11	15.8	22.5	13.0
DTA 3	3/16	4.76	3.0	1/2	12.7	1/2	12.7	19.0	25.7	13.8
DTA 4	1/4	6.35	4.8	1/2	12.7	9/16	14.29	20.0	27.5	15.4
DTA 5	5/16	7.94	6.4	5/8	15.9	5/8	15.88	22.4	29.9	16.3
DTA 6	3/8	9.53	7.1	5/8	15.9	11/16	17.46	23.0	30.5	17.0
DTA 8	1/2	12.7	10.4	13/16	20.6	7/8	22.23	25.0	35.3	23.0
DTA 10	5/8	15.88	12.7	15/16	23.8	1	25.4	27.0	37.3	24.6
DTA 12	3/4	19.05	15.8	1-1/16	27.0	1-1/8	28.58	28.2	38.5	24.6
DTA 14	7/8	22.23	18.3	1-1/4	31.8	1-1/4	31.75	32.5	42.7	26.1
DTA 16	1	25.4	22.5	1-5/16	33.3	1-1/2	38.1	33.3	45.9	31.6

BI-Lok	DTAZ	Union Tee / Bored-through Connects fractional tubes
---------------	-------------	---



Part No.	A(Tube O.D)		E	h(Flat)		H(HEX)		l	L	F
	in	mm		in	mm	in	mm			
DTAZ 4	1/4	6.35	4.8	1/2	12.7	9/16	14.29	20.0	27.5	15.4
DTAZ 6	3/8	9.52	7.1	5/8	15.9	11/16	17.46	23.0	30.5	17.0

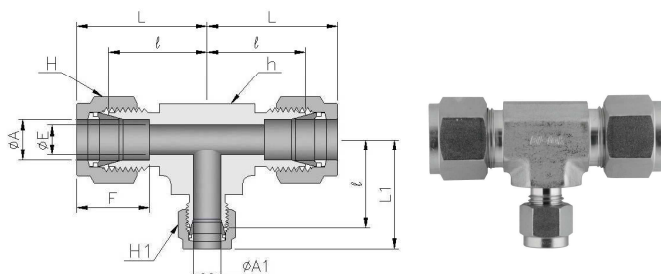
Bl-Lok	DTR	Reducing Union Tee Connects fractional tubes
---------------	------------	---



H, H₁ : See dimensional data(Last page)

Part No.	A(Tube O.D)		A ₁ (Tube O.D)		E	E ₁	h(Flat)		l	L	L ₁	F	F ₁
	in	mm	in	mm	mm	mm	in	mm	mm	mm	mm	mm	mm
DTR 4-6	1/4	6.35	3/8	9.53	4.8	7.1	5/8	15.9	23.0	30.5	30.5	15.4	17.0
DTR 4-8	1/4	6.35	1/2	12.7	4.8	10.4	13/16	20.6	25.0	32.5	35.3	15.4	23.0
DTR 6-4	3/8	9.53	1/4	6.35	7.1	4.8	5/8	15.9	23.0	30.5	30.5	17.0	15.4
DTR 6-5	3/8	9.53	5/16	7.94	7.1	6.4	5/8	15.9	23.0	30.5	30.5	17.0	16.3
DTR 8-2	1/2	12.7	1/8	3.18	10.4	2.3	13/16	20.6	25.0	35.3	31.7	23.0	13.0
DTR 8-4	1/2	12.7	1/4	6.35	10.4	4.8	13/16	20.6	25.0	35.3	32.5	23.0	15.4
DTR 8-6	1/2	12.7	3/8	9.53	10.4	7.1	13/16	20.6	25.0	35.3	32.5	23.0	17.0
DTR 8-12	1/2	12.7	3/4	19.05	10.4	15.8	1-1/16	27.0	28.2	38.5	38.5	23.0	24.6
DTR 10-6	5/8	15.88	3/8	9.53	12.7	7.1	15/16	23.8	27.0	37.3	34.5	24.6	17.0
DTR 12-4	3/4	19.05	1/4	6.35	15.8	4.8	1-1/16	27.0	28.2	38.5	35.7	24.6	15.4
DTR 12-6	3/4	19.05	3/8	9.53	15.8	7.1	1-1/16	27.0	28.2	38.5	35.7	24.6	17.0
DTR 12-8	3/4	19.05	1/2	12.7	15.8	10.4	1-1/16	27.0	28.2	38.5	38.5	24.6	23.0
DTR 12-16	3/4	19.05	1	25.4	15.8	22.5	1-5/16	33.3	33.3	43.6	45.9	24.6	31.6
DTR 14-6	7/8	22.23	3/8	9.53	18.3	7.1	1-1/4	31.8	32.5	42.7	40.0	26.1	17.0
DTR 14-8	7/8	22.23	1/2	12.7	18.3	10.4	1-1/4	31.8	32.5	42.7	42.8	26.1	23.0
DTR 14-12	7/8	22.23	3/4	19.05	18.3	15.8	1-1/4	31.8	32.5	42.7	42.8	26.1	24.6
DTR 16-6	1	25.4	3/8	9.53	22.5	7.1	1-5/16	33.3	33.3	45.9	40.8	31.6	17.0
DTR 16-8	1	25.4	1/2	12.7	22.5	10.4	1-5/16	33.3	33.3	45.9	43.6	31.6	23.0
DTR 16-12	1	25.4	3/4	19.05	22.5	15.8	1-5/16	33.3	33.3	45.9	43.6	31.6	24.6
DTR 16-14	1	25.4	7/8	22.23	22.5	18.3	1-5/16	33.3	33.3	45.9	43.5	31.6	26.1

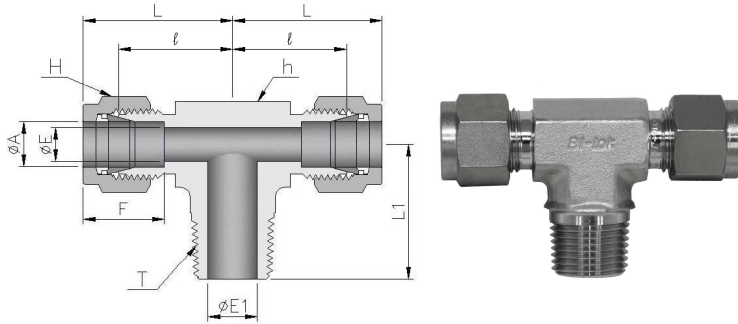
Bl-Lok	DTRZ	Reducing Union Tee / Bored-through Connects fractional tubes
---------------	-------------	---



H, H₁ : See dimensional data(Last page)

Part No.	A(Tube O.D)		A ₁ (Tube O.D)		E	h(Flat)		l	L	L ₁	F
	in	mm	in	mm	mm	in	mm	mm	mm	mm	mm
DTRZ 8-2	1/2	12.7	1/8	3.18	10.4	13/16	20.6	25.0	35.3	31.7	23.0

<i>Bl-Lok</i>	DTN	Male Branch Tee Fractional tube to female tapered pipe thread
---------------	------------	---



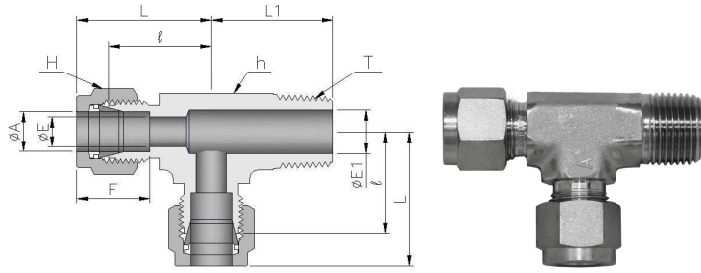
H : See dimensional data(Last page)

Part No.		A(Tube O.D)		T	E	E ₁	h(Flat)		l	L	L ₁	F
ANSI NPT	ISO/JIS R	in	mm	NPT/R	mm	mm	in	mm	mm	mm	mm	mm
DTN 2-2	DTN 2-R2	1/8	3.18	1/8	2.3	4.8	7/16	11.1	16.8	23.5	18.5	13.0
DTN 2-4	DTN 2-R4	1/8	3.18	1/4	2.3	4.8	1/2	12.7	18.3	25.0	24.0	13.0
DTN 3-2	DTN 3-R2	3/16	4.76	1/8	3.0	4.8	1/2	12.7	19.0	25.7	19.0	13.8
DTN 4-2	DTN 4-R2	1/4	6.35	1/8	4.8	4.8	1/2	12.7	20.0	27.5	19.0	15.4
DTN 4-4	DTN 4-R4	1/4	6.35	1/4	4.8	6.0	1/2	12.7	20.0	27.5	24.0	15.4
DTN 4-6	DTN 4-R6	1/4	6.35	3/8	4.8	9.4	11/16	17.5	22.5	30.0	28.5	15.4
DTN 4-8		1/4	6.35	1/2	4.8	10.4	13/16	20.6	24.5	32.0	33.5	15.4
DTN 5-2	DTN 5-R2	5/16	7.94	1/8	6.4	4.8	5/8	15.9	22.4	29.9	20.5	16.3
DTN 5-4	DTN 5-R4	5/16	7.94	1/4	6.4	7.1	5/8	15.9	22.4	29.9	25.5	16.3
	DTN 5-R6	5/16	7.94	3/8	6.4	10.4	11/16	17.5	24.0	31.5	28.5	16.3
DTN 6-2	DTN 6-R2	3/8	9.53	1/8	7.1	4.8	5/8	15.9	23.0	30.5	20.5	17.0
DTN 6-4		3/8	9.53	1/4	7.1	7.1	5/8	15.9	23.0	30.5	25.5	17.0
	DTN 6-R4	3/8	9.53	1/4	7.1	6.0	5/8	15.9	23.0	30.5	25.5	17.0
DTN 6-6	DTN 6-R6	3/8	9.53	3/8	7.1	9.4	11/16	17.5	24.0	31.5	28.5	17.0
DTN 6-8	DTN 6-R8	3/8	9.53	1/2	7.1	12.7	13/16	20.6	26.2	33.7	32.0	17.0
DTN 8-4	DTN 8-R4	1/2	12.7	1/4	10.4	7.1	13/16	20.6	25.0	35.3	27.5	23.0
DTN 8-6	DTN 8-R6	1/2	12.7	3/8	10.4	10.4	13/16	20.6	25.0	35.3	27.5	23.0
DTN 8-8	DTN 8-R8	1/2	12.7	1/2	10.4	12.7	13/16	20.6	26.2	36.5	33.5	23.0
DTN 8-12		1/2	12.7	3/4	10.4	18.3	1-1/16	27.0	28.2	38.5	35.5	23.0
DTN 10-8	DTN 10-R8	5/8	15.88	1/2	12.7	12.7	15/16	23.8	27.0	37.3	34.0	24.6
	DTN 12-R4	3/4	19.05	1/4	15.8	7.1	1-1/16	27.0	28.2	38.5	30.5	24.6
	DTN 12-R6	3/4	19.05	3/8	15.8	10.4	1-1/16	27.0	28.2	38.5	32.0	24.6
DTN 12-8	DTN 12-R8	3/4	19.05	1/2	15.8	12.7	1-1/16	27.0	28.2	38.5	35.5	24.6
DTN 12-12		3/4	19.05	3/4	15.8	18.3	1-1/16	27.0	28.2	38.5	35.5	24.6
	DTN 12-R12	3/4	19.05	3/4	15.8	18.3	1-1/16	27.0	28.2	38.5	37.5	24.6
	DTN 12-R16	3/4	19.05	1	15.8	22.5	1-5/16	33.3	31.8	42.1	46.7	24.6
DTN 14-12		7/8	22.23	3/4	18.3	18.3	1-1/4	31.8	32.5	42.7	42.0	26.1
DTN 16-16	DTN 16-R16	1	25.4	1	22.5	22.5	1-5/16	33.3	33.3	45.9	46.7	31.6

Bl-Lok

DTK

Male Run Tee
Fractional tube to female tapered pipe thread



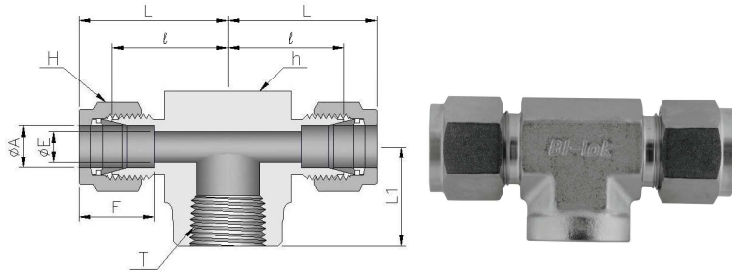
H : See dimensional data(Last page)

Part No.		A(Tube O.D)		T	E	E ₁	h(Flat)		l	L	L ₁	F
ANSI NPT	ISO/JIS R	in	mm	NPT/R	mm	mm	in	mm	mm	mm	mm	mm
DTK 1-2		1/16	1.59	1/8	1.3	4.8	7/16	11.1	14.2	18.2	18.5	8.9
DTK 2-2	DTK 2-R2	1/8	3.18	1/8	2.3	4.8	7/16	11.1	16.8	23.5	18.5	13.0
DTK 2-4	DTK 2-R4	1/8	3.18	1/4	2.3	4.8	1/2	12.7	18.3	25.0	24.0	13.0
DTK 3-2	DTK 3-R2	3/16	4.76	1/8	3.0	4.8	1/2	12.7	19.0	25.7	19.0	13.8
DTK 4-2	DTK 4-R2	1/4	6.35	1/8	4.8	4.8	1/2	12.7	20.0	27.5	19.0	15.4
DTK 4-4	DTK 4-R4	1/4	6.35	1/4	4.8	6.0	1/2	12.7	20.0	27.5	24.0	15.4
DTK 4-6	DTK 4-R6	1/4	6.35	3/8	4.8	9.4	11/16	17.5	22.5	30.0	28.5	15.4
DTK 5-2	DTK 5-R2	5/16	7.94	1/8	6.4	4.8	5/8	15.9	22.4	29.9	20.5	16.3
DTK 5-4	DTK 5-R4	5/16	7.94	1/4	6.4	7.1	5/8	15.9	22.4	29.9	25.5	16.3
	DTK 5-R6	5/16	7.94	3/8	6.4	10.4	11/16	17.5	24.0	31.5	28.5	16.3
DTK 6-2	DTK 6-R2	3/8	9.53	1/8	7.1	4.8	5/8	15.9	23.0	30.5	20.5	17.0
DTK 6-4		3/8	9.53	1/4	7.1	7.1	5/8	15.9	23.0	30.5	25.5	17.0
	DTK 6-R4	3/8	9.53	1/4	7.1	6.0	5/8	15.9	23.0	30.5	25.5	17.0
DTK 6-6	DTK 6-R6	3/8	9.53	3/8	7.1	9.4	11/16	17.5	24.0	31.5	28.5	17.0
DTK 8-4	DTK 8-R4	1/2	12.7	1/4	10.4	7.1	13/16	20.6	25.0	35.3	27.5	23.0
DTK 8-6	DTK 8-R6	1/2	12.7	3/8	10.4	10.4	13/16	20.6	25.0	35.3	27.5	23.0
DTK 8-8	DTK 8-R8	1/2	12.7	1/2	10.4	12.7	13/16	20.6	26.2	36.5	33.5	23.0
DTK 10-8	DTK 10-R8	5/8	15.88	1/2	12.7	12.7	15/16	23.8	27.0	37.3	34.0	24.6
	DTK 12-R4	3/4	19.05	1/4	15.8	7.1	1-1/16	27.0	28.2	38.5	30.5	24.6
	DTK 12-R8	3/4	19.05	1/2	15.8	12.7	1-1/16	27.0	28.2	38.5	35.5	24.6
DTK 12-12		3/4	19.05	3/4	15.8	18.3	1-1/16	27.0	28.2	38.5	35.5	24.6
	DTK 12-R12	3/4	19.05	3/4	15.8	18.3	1-1/16	27.0	28.2	38.5	37.5	24.6
	DTK 14-R8	7/8	22.23	1/2	18.3	12.7	1-1/4	31.8	32.5	42.7	42.0	26.1
DTK 14-12		7/8	22.23	3/4	18.3	18.3	1-1/4	31.8	32.5	42.7	42.0	26.1
DTK 16-16		1	25.4	1	22.5	22.5	1-5/16	33.3	33.3	45.9	46.7	31.6

BI-Lok

DTH

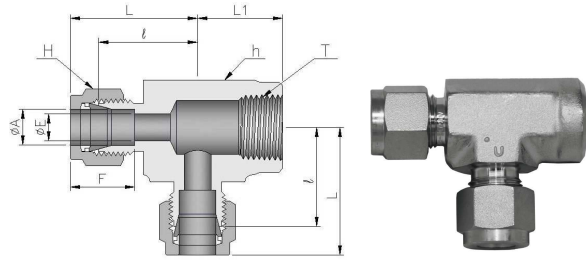
Female Branch Tee
Connects fractional tube to male tapered pipe thread



H : See dimensional data(Last page)

Part No.		A(Tube O.D)		T	E	h(Flat)		l	L	L ₁	F
ANSI NPT	ISO/JIS Rc	in	mm	NPT/Rc	mm	in	mm	mm	mm	mm	mm
DTH 2-2	DTH 2-R2	1/8	3.18	1/8	2.3	5/8	15.9	17.5	24.2	19.0	13.0
DTH 2-4		1/8	3.18	1/4	2.3	13/16	20.6	20.5	27.2	22.5	13.0
	DTH 2-R6	1/8	3.18	3/8	2.3	13/16	20.6	26.2	32.9	22.5	13.0
DTH 4-2	DTH 4-R2	1/4	6.35	1/8	4.8	5/8	15.9	19.0	26.5	19.0	15.4
DTH 4-4	DTH 4-R4	1/4	6.35	1/4	4.8	13/16	20.6	22.5	30.0	22.5	15.4
	DTH 4-R6	1/4	6.35	3/8	4.8	15/16	23.8	24.7	32.2	22.5	15.4
	DTH 4-R8	1/4	6.35	1/2	4.8	1-1/16	27.0	28.2	35.7	28.5	15.4
	DTH 5-R4	5/16	7.94	1/4	6.4	13/16	20.6	23.1	30.6	22.5	16.3
DTH 6-2	DTH 6-R2	3/8	9.53	1/8	7.1	5/8	15.9	23.0	30.5	19.0	17.0
DTH 6-4	DTH 6-R4	3/8	9.53	1/4	7.1	13/16	20.6	24.0	31.5	22.5	17.0
DTH 6-6	DTH 6-R6	3/8	9.53	3/8	7.1	15/16	23.8	26.2	33.7	22.5	17.0
	DTH 6-R8	3/8	9.53	1/2	7.1	1-1/16	27.0	28.2	36.0	28.5	17.0
DTH 8-4	DTH 8-R2	1/2	12.7	1/8	10.4	13/16	20.6	25.0	35.3	22.5	23.0
	DTH 8-R4	1/2	12.7	1/4	10.4	13/16	20.6	25.0	35.3	22.5	23.0
	DTH 8-R6	1/2	12.7	3/8	10.4	15/16	23.8	26.2	36.5	22.5	23.0
	DTH 8-R8	1/2	12.7	1/2	10.4	1-1/16	27.0	28.2	38.8	28.5	23.0
	DTH 8-R12	1/2	12.7	3/4	10.4	1-5/16	33.3	31.8	42.1	31.8	23.0
DTH10-6	DTH10-R2	5/8	15.88	1/8	12.7	15/16	23.8	27.0	37.3	22.5	24.6
	DTH10-R6	5/8	15.88	3/8	12.7	15/16	23.8	27.0	37.3	22.5	24.6
DTH10-8	DTH10-R8	5/8	15.88	1/2	12.7	1-1/16	27.0	28.2	38.5	28.5	24.6
	DTH12-R2	3/4	19.05	1/8	15.8	1-1/16	27.0	28.2	38.5	28.5	24.6
	DTH12-R4	3/4	19.05	1/4	15.8	1-1/16	27.0	28.2	38.5	28.5	24.6
	DTH12-R6	3/4	19.05	3/8	15.8	1-1/16	27.0	28.2	38.5	28.5	24.6
DTH12-8	DTH12-R8	3/4	19.05	1/2	15.8	1-1/16	27.0	28.2	38.5	28.5	24.6
DTH12-12	DTH12-R12	3/4	19.05	3/4	15.8	1-5/16	33.3	31.8	42.1	31.8	24.6
DTH14-12		7/8	22.23	3/4	18.3	1-5/16	33.3	32.5	42.7	31.8	31.6
	DTH16-R12	1	25.4	3/4	22.5	1-5/16	33.3	33.3	45.9	31.8	31.6
DTH16-16	DTH16-R16	1	25.4	1	22.5	1-7/8	47.6	38.6	51.2	38.1	31.6

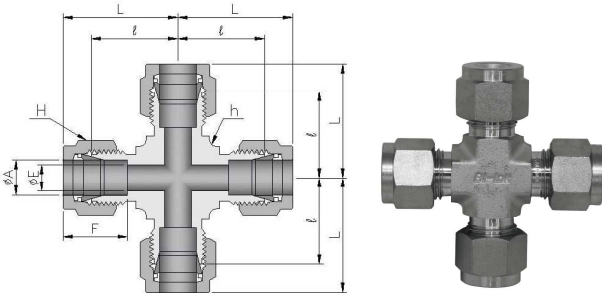
BI-Lok	DTF	Female Run Tee Connects fractional tube to male tapered pipe thread
---------------	------------	---



H : See dimensional data (Last page)

Part No.		A (Tube O. D)		T	E	h (Flat)		l	L	L ₁	F
ANSI NPT	ISO/JIS Rc	in	mm	NPT/Rc	mm	in	mm	mm	mm	mm	mm
	DTF 1-R2	1/16	1.59	1/8	1.3	5/8	15.9	17.5	21.5	19.0	8.9
DTF 2-2	DTF 2-R2	1/8	3.18	1/8	2.3	5/8	15.9	17.5	24.2	19.0	13.0
DTF 4-2	DTF 4-R2	1/4	6.35	1/8	4.8	5/8	15.9	19.0	26.5	19.0	15.4
DTF 4-4	DTF 4-R4	1/4	6.35	1/4	4.8	13/16	20.6	22.5	30.0	22.5	15.4
DTF 5-2		5/16	7.94	1/8	6.4	5/8	15.9	22.5	29.9	19.0	16.3
DTF 5-4	DTF 5-R4	5/16	7.94	1/4	6.4	13/16	20.6	23.1	30.6	22.5	16.3
	DTF 6-R2	3/8	9.53	1/8	7.1	5/8	15.9	23.0	30.5	19.0	17.0
DTF 6-4	DTF 6-R4	3/8	9.53	1/4	7.1	13/16	20.6	24.0	31.5	22.5	17.0
DTF 6-6	DTF 6-R6	3/8	9.53	3/8	7.1	15/16	23.8	26.2	33.7	22.5	17.0
	DTF 8-R2	1/2	12.7	1/8	10.4	13/16	20.6	25.0	35.3	22.5	23.0
	DTF 8-R4	1/2	12.7	1/4	10.4	13/16	20.6	25.0	35.3	22.5	23.0
DTF 8-6	DTF 8-R6	1/2	12.7	3/8	10.4	15/16	23.8	26.2	36.5	22.5	23.0
DTF 8-8	DTF 8-R8	1/2	12.7	1/2	10.4	1-1/16	27.0	28.2	38.8	28.5	23.0
	DTF10-R2	5/8	15.88	1/8	12.7	15/16	23.8	27.0	37.3	22.5	24.6
DTF10-8	DTF10-R8	5/8	15.88	1/2	12.7	1-1/16	27.0	28.2	38.8	28.5	24.6
	DTF12-R4	3/4	19.05	1/4	15.8	1-1/16	27.0	28.2	38.6	28.5	24.6
	DTF12-R8	3/4	19.05	1/2	15.8	1-1/16	27.0	28.2	38.6	28.5	24.6
DTF12-12	DTF12-R12	3/4	19.05	3/4	15.8	1-5/16	33.3	31.8	42.1	31.8	24.6
	DTF14-R8	7/8	22.23	1/2	18.3	1-1/4	31.8	32.5	42.7	32.5	26.1
	DTF16-R2	1	25.4	1/8	22.5	1-5/16	33.3	33.3	45.9	28.5	31.6
	DTF16-R4	1	25.4	1/4	22.5	1-5/16	33.3	33.3	45.9	28.5	31.6
	DTF16-R8	1	25.4	1/2	22.5	1-5/16	33.3	33.3	45.9	33.3	31.6
	DTF16-R16	1	25.4	1	22.5	1-7/8	47.6	38.6	51.2	38.1	31.6

BI-Lok	DXA	Union Cross Connects fractional tubes
---------------	------------	---



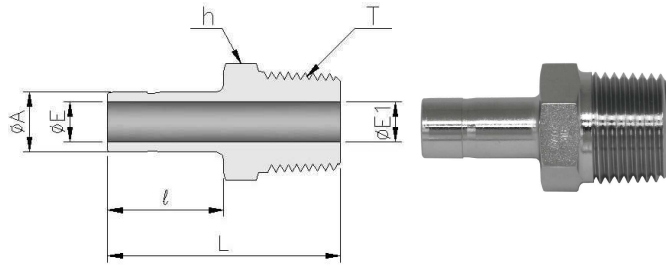
Part No.	A (Tube O. D)		E	h (Flat)		H (HEX)		l	L	F
	in	mm	mm	in	mm	in	mm	mm	mm	mm
DXA 1	1/16	1.59	1.3	3/8	9.5	5/16	7.94	14.2	18.2	8.9
DXA 2	1/8	3.18	2.3	3/8	9.5	7/16	11.11	15.8	22.5	13.0
DXA 3	3/16	4.76	3.0	1/2	12.7	1/2	12.7	19.0	25.7	13.8
DXA 4	1/4	6.35	4.8	1/2	12.7	9/16	14.29	20.0	27.5	15.4
DXA 5	5/16	7.94	6.4	5/8	15.9	5/8	15.88	22.4	29.9	16.3
DXA 6	3/8	9.53	7.1	5/8	15.9	11/16	17.46	23.0	30.5	17.0
DXA 8	1/2	12.7	10.4	13/16	20.6	7/8	22.23	25.0	35.3	23.0
DXA 10	5/8	15.88	12.7	15/16	23.8	1	25.4	27.0	37.3	24.6
DXA 12	3/4	19.05	15.8	1-1/16	27.0	1-1/8	28.58	28.2	38.5	24.6
DXA 16	1	25.4	22.5	1-3/8	34.9	1-1/2	38.1	33.3	45.9	31.6

BI-Lok

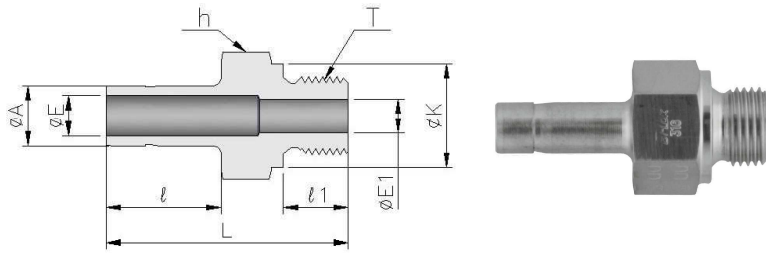
DHA

Male Adapter

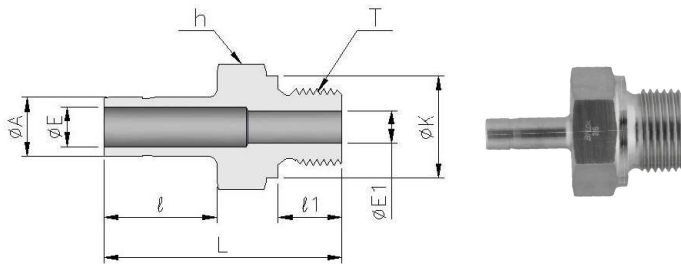
Connects fractional BI-LOK port to female tapered pipe thread



Part No.		A(Tube O. D)		T	E	E ₁	h(HEX)		l	L
ANSI NPT	ISO/JIS R	in	mm	NPT/R	mm	mm	in	mm	mm	mm
DHA 2-1		1/8	3.18	1/16	1.8	3.0	7/16	11.11	14.0	26.9
DHA 2-2	DHA 2-R2	1/8	3.18	1/8	1.8	4.6	7/16	11.11	14.0	28.4
DHA 2-4	DHA 2-R4	1/8	3.18	1/4	1.8	7.1	9/16	14.29	14.0	33.5
DHA 3-2	DHA 3-R2	3/16	4.76	1/8	3.0	4.6	7/16	11.11	14.8	29.2
DHA 3-4	DHA 3-R4	3/16	4.76	1/4	3.0	7.1	9/16	14.29	14.8	34.0
DHA 4-2	DHA 4-R2	1/4	6.35	1/8	4.6	4.6	7/16	11.11	16.5	31.0
DHA 4-4	DHA 4-R4	1/4	6.35	1/4	4.6	7.1	9/16	14.29	16.5	35.5
DHA 4-6		1/4	6.35	3/8	4.6	10.4	11/16	17.46	16.5	36.5
	DHA 4-R6	1/4	6.35	3/8	4.6	10.4	11/16	17.46	16.5	37.5
DHA 4-8	DHA 4-R8	1/4	6.35	1/2	4.6	12.7	7/8	22.23	16.5	42.0
DHA 5-2	DHA 5-R2	5/16	7.94	1/8	6.4	4.6	7/16	11.11	17.2	31.8
DHA 5-4	DHA 5-R4	5/16	7.94	1/4	6.4	7.1	9/16	14.29	17.2	37.1
DHA 6-2	DHA 6-R2	3/8	9.53	1/8	7.1	4.6	7/16	11.11	18.0	33.3
DHA 6-4	DHA 6-R4	3/8	9.53	1/4	7.1	7.1	9/16	14.29	18.0	38.0
DHA 6-6		3/8	9.53	3/8	7.1	10.4	11/16	17.46	18.0	38.0
	DHA 6-R6	3/8	9.53	3/8	7.1	10.4	11/16	17.46	18.0	39.0
DHA 6-8	DHA 6-R8	3/8	9.53	1/2	7.1	12.7	7/8	22.23	18.0	43.5
DHA 8-2		1/2	12.7	1/8	9.9	4.6	9/16	14.29	23.5	39.6
	DHA 8-R2	1/2	12.7	1/8	9.9	4.6	9/16	14.29	23.5	40.0
DHA 8-4	DHA 8-R4	1/2	12.7	1/4	9.9	7.1	9/16	14.29	23.5	43.5
DHA 8-6		1/2	12.7	3/8	9.9	10.4	11/16	17.46	23.5	44.5
	DHA 8-R6	1/2	12.7	3/8	9.9	10.4	11/16	17.46	23.5	45.5
DHA 8-8	DHA 8-R8	1/2	12.7	1/2	9.9	12.7	7/8	22.23	23.5	49.0
DHA 8-12		1/2	12.7	3/4	9.9	18.3	1-1/16	26.99	23.5	49.9
	DHA 8-R12	1/2	12.7	3/4	9.9	18.3	1-1/16	26.99	23.5	51.9
DHA 10-6		5/8	15.88	3/8	12.7	10.4	11/16	17.46	25.2	46.0
	DHA 10-R6	5/8	15.88	3/8	12.7	10.4	11/16	17.46	25.2	47.0
DHA 10-8	DHA 10-R8	5/8	15.88	1/2	12.7	12.7	7/8	22.23	25.2	50.8
DHA 10-12		5/8	15.88	3/4	12.7	18.3	1-1/16	26.99	25.2	51.6
	DHA 10-R12	5/8	15.88	3/4	12.7	18.3	1-1/16	26.99	25.2	53.6
DHA 12-6	DHA 12-R4	3/4	19.05	1/4	15.0	7.1	7/8	22.23	25.2	46.0
		3/4	19.05	3/8	15.0	10.4	7/8	22.23	25.2	45.7
	DHA 12-R6	3/4	19.05	3/8	15.0	10.4	7/8	22.23	25.2	47.7
DHA 12-8	DHA 12-R8	3/4	19.05	1/2	15.0	12.7	7/8	22.23	25.2	50.7
DHA 12-12		3/4	19.05	3/4	15.0	18.3	1-1/16	26.99	25.2	51.6
	DHA 12-R12	3/4	19.05	3/4	15.0	18.3	1-1/16	26.99	25.2	53.6
DHA 12-16	DHA 12-R16	3/4	19.05	1	15.0	22.5	1-3/8	34.93	25.2	57.9
DHA 14-12		7/8	22.23	3/4	17.3	18.3	1-1/16	26.99	27.0	53.1
	DHA 14-R12	7/8	22.23	3/4	17.3	18.3	1-1/16	26.99	27.0	55.1
DHA 16-12		1	25.4	3/4	20.1	18.3	1-1/16	26.99	32.5	58.0
	DHA 16-R12	1	25.4	3/4	20.1	18.3	1-1/16	26.99	32.5	60.0
DHA 16-16	DHA 16-R16	1	25.4	1	20.1	22.5	1-3/8	34.93	32.5	65.0

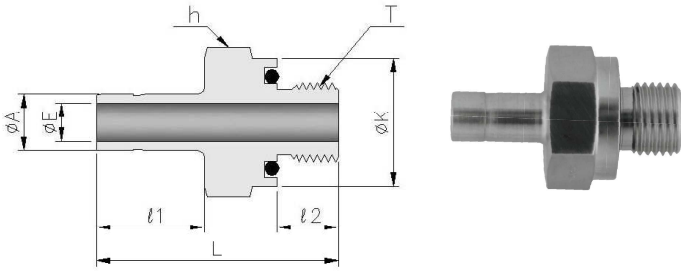
BI-Lok**DHQ****Bonded seal Male Adapter / Straight thread**
Connects fractional BI-LOK port to female ISO straight thread

Part No.	A (Tube O. D)		T	E	E ₁	h (HEX)		l	l ₁	L	K
	in	mm	G	mm	mm	in	mm	mm	mm	mm	mm
DHQ 4-G2	1/4	6.35	1/8	4.6	4.1	9/16	14.29	16.5	7.1	33.3	13.8
DHQ 4-G4	1/4	6.35	1/4	4.6	5.9	3/4	19.05	16.5	11.2	38.1	18.0
DHQ 6-G4	3/8	9.53	1/4	7.1	5.9	3/4	19.05	18.0	11.2	39.9	18.0
DHQ 6-G6	3/8	9.53	3/8	7.1	7.1	7/8	22.23	18.0	11.2	40.6	21.8
DHQ 8-G4	1/2	12.7	1/4	9.9	5.9	3/4	19.05	23.5	11.2	45.5	18.0
DHQ 8-G6	1/2	12.7	3/8	9.9	7.9	7/8	22.23	23.5	11.2	46.2	21.8
DHQ 8-G8	1/2	12.7	1/2	9.9	9.9	1-1/16	26.99	23.5	14.2	49.3	26.0

BI-Lok**DHJ****Cu Gasket seal Male Adapter / Straight thread**
Connects fractional BI-LOK port to female ISO straight thread

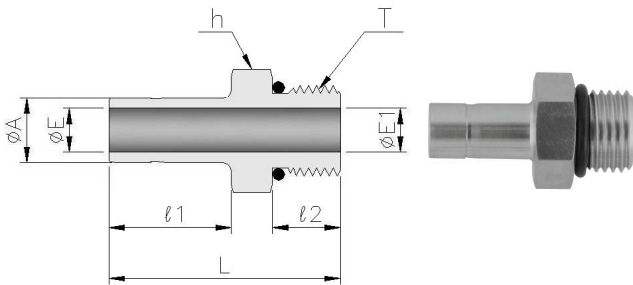
Part No.	A (Tube O. D)		T	E	E ₁	h (HEX)		l	l ₁	L	K
	in	mm	G	mm	mm	in	mm	mm	mm	mm	mm
DHJ 4-G2	1/4	6.35	1/8	4.6	4.1	9/16	14.29	16.5	7.1	33.3	13.8
DHJ 4-G4	1/4	6.35	1/4	4.6	5.9	3/4	19.05	16.5	11.2	36.4	18.0
DHJ 4-G6	1/4	6.35	3/8	4.6	4.6	7/8	22.23	16.5	11.2	38.8	21.8
DHJ 6-G4	3/8	9.53	1/4	7.1	5.9	3/4	19.05	18.0	11.2	39.9	18.0
DHJ 6-G6	3/8	9.53	3/8	7.1	7.9	7/8	22.23	18.0	11.2	39.2	21.8
DHJ 6-G8	3/8	9.53	1/2	7.1	7.1	1-1/16	26.99	18.0	14.2	43.7	26.0
DHJ 8-G4	1/2	12.7	1/4	9.9	5.9	3/4	19.05	23.5	11.2	45.5	18.0
DHJ 8-G6	1/2	12.7	3/8	9.9	7.9	7/8	22.23	23.5	11.2	46.2	21.8
DHJ 8-G8	1/2	12.7	1/2	9.9	9.9	1-1/16	26.99	23.5	14.2	49.3	26.0

BI-Lok	DHO	O-ring seal Male Adapter / Straight thread Connects fractional BI-LOK port to female UNF straight thread
---------------	------------	--



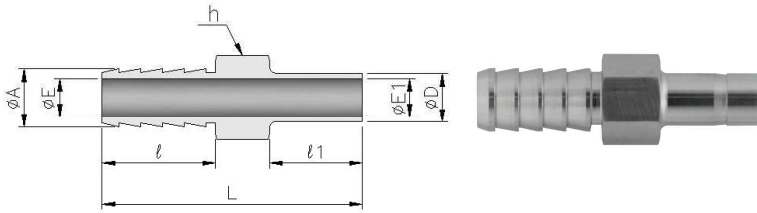
Part No.	A (Tube O. D)		T	E	h (HEX)		l ₁	l ₂	L	K	O-ring AS568 (NBR)
	in	mm	UNF	mm	in	mm	mm	mm	mm	mm	
DHO 2-2	1/8	3.18	5/16-24	1.8	9/16	14.29	14.0	8.6	32.5	14.0	-011
DHO 3-3	3/16	4.76	3/8-24	3.2	5/8	15.88	14.8	9.7	35.1	15.4	-012
DHO 4-4	1/4	6.35	7/16-20	4.6	3/4	19.05	16.5	10.4	39.1	18.5	-111
DHO 5-5	5/16	7.94	1/2-20	6.4	7/8	22.23	17.2	11.2	41.7	21.8	-112
DHO 6-6	3/8	9.53	9/16-18	7.1	15/16	23.81	18.0	11.9	43.2	23.6	-113
DHO 8-8	1/2	12.7	3/4-16	9.9	1-1/8	28.58	23.5	11.9	49.5	28.0	-116

BI-Lok	DHB	O-ring seal Male Adapter / Straight thread Connects fractional BI-LOK port to female UNF straight thread
---------------	------------	--



Part No.	A (Tube O. D)		T	E	E ₁	h (HEX)		l ₁	l ₂	L	O-ring AS568 (NBR)
	in	mm	UNF	mm	mm	in	mm	mm	mm	mm	
DHB 2-2	1/8	3.18	5/16-24	1.8	2.3	7/16	11.11	14.0	7.5	27.0	-902
DHB 4-4	1/4	6.35	7/16-20	4.6	4.6	9/16	14.29	16.5	9.0	33.0	-904
DHB 6-4	3/8	9.53	7/16-20	7.1	4.6	9/16	14.29	18.0	9.0	34.5	-904
DHB 6-6	3/8	9.53	9/16-18	7.1	7.1	11/16	17.46	18.0	10.0	34.7	-906
DHB 6-8	3/8	9.53	3/4-16	7.1	9.9	7/8	22.23	18.0	11.0	36.0	-908
DHB 8-6	1/2	12.7	9/16-18	9.9	9.9	11/16	17.46	23.5	10.0	40.0	-906
DHB 8-8	1/2	12.7	3/4-16	9.9	9.9	7/8	22.23	23.5	11.0	41.5	-908

<i>BI-Lok</i>	DAH	Hose Adapter Connects Hose to fractional BI-LOK Port
---------------	------------	---

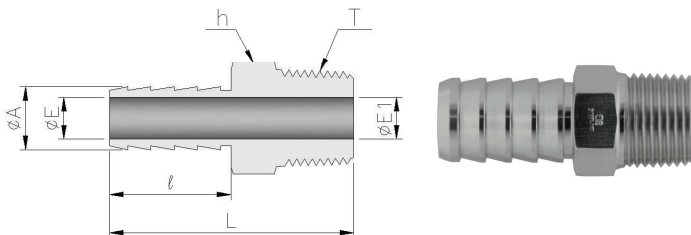


Part No.	A (Hose I. D)		D (Tube O. D)		E	E ₁	h (HEX)		L	l	l ₁
	in	mm	in	mm			in	mm			
DAH 4-4	1/4	7.7	1/4	6.35	4.8	4.6	7/16	11.11	46.5	20.0	16.5
DAH 5-4	5/16	9.5	1/4	6.35	4.8	4.8	7/16	11.11	48.5	22.0	16.5
DAH 6-4	3/8	11.4	1/4	6.35	7.6	4.6	1/2	12.7	49.0	22.0	16.5
DAH 6-6	3/8	11.4	3/8	9.53	7.6	7.1	9/16	14.29	50.5	22.0	18.0
DAH 12-12	3/4	22.9	3/4	19.05	15.0	15.0	1-1/16	26.99	62.0	27.0	25.2

<i>BI-Lok</i>	DAH	Hose Adapter Connects Hose to metric BI-LOK Port
---------------	------------	---

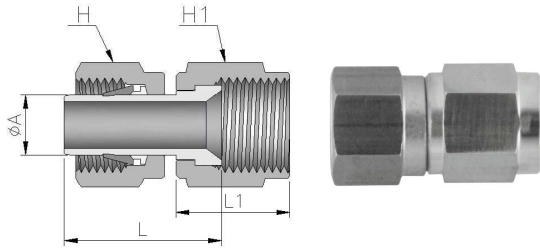
Part No.	A (Hose ID)		D (Tube OD)	E	E ₁	h (HEX)		L	l	l ₁
	in	mm				in	mm			
DAH 4-6M	1/4	7.7	6	4.8	4.6	7/16	11.11	47.0	20.0	16.5
DAH 4-8M	1/4	7.7	8	4.8	6.4	7/16	11.11	48.0	20.0	17.2
DAH 6-8M	3/8	11.4	8	7.6	6.4	1/2	12.7	49.0	22.0	17.2
DAH 8-12M	1/2	15.2	12	9.5	9.5	5/8	15.88	61.0	24.0	23.5

<i>BI-Lok</i>	DAT	Hose Adapter Connects Hose to Female NPT thread
---------------	------------	--



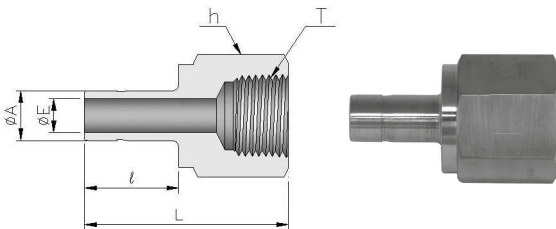
Part No.	A (Hose I. D)		T	E	E ₁	h (HEX)		L	l
	in	mm				NPT	in		
DAT 2-2	1/8	3.8	1/8	2.0	4.8	7/16	11.11	27.4	10.1
DAT 3-2	3/16	5.8	1/8	3.0	3.0	7/16	11.11	32.3	15.0
DAT 4-2	1/4	7.7	1/8	4.8	4.8	7/16	11.11	37.3	20.0
DAT 6-6	3/8	11.4	3/8	7.6	7.6	11/16	17.46	44.2	22.0
DAT 8-6	1/2	15.2	3/8	9.5	9.5	11/16	17.46	46.0	24.0

Bi-Lok	DAN	Bi-lok to AN Adapter Connects fractional tube to male 37° frared tube
---------------	------------	---



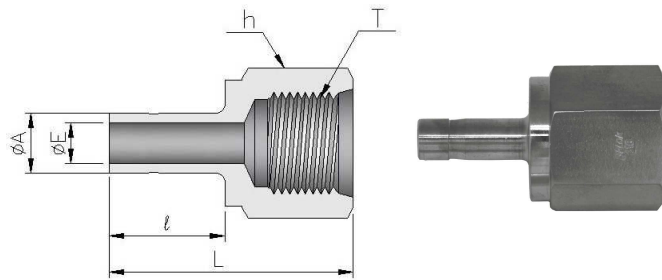
Part No.	A (Tube O. D.)		AN (Tube O. D.)		H (HEX)		H ₁ (HEX)		L ₁	L ₂
	in	mm	in	mm	in	mm	in	mm	mm	mm
DAN 2-2	1/8	3.18	1/8	3.18	7/16	11.11	3/8	9.53	19.6	13.8
DAN 4-4	1/4	6.35	1/4	6.35	9/16	14.29	9/16	14.29	22.3	15.7
DAN 6-6	3/8	9.53	3/8	9.53	11/16	17.46	11/16	17.46	25.3	18.3
DAN 8-8	1/2	12.7	1/2	12.7	7/8	22.23	7/8	22.23	32.0	21.3
DAN 16-16	1	25.4	1	25.4	1-1/2	38.1	1-1/2	38.1	43.5	28.4

Bi-Lok	DHC	Female Adapter Connects fractional BI-LOK port to male tapered pipe thread
---------------	------------	--



Part No.	A (Tube O. D.)		T	E	h (HEX)		l	L	
	ANSI NPT	ISO/JIS R _c	in	mm	NPT/ R _c	mm	in	mm	mm
DHC 2-2	DHC 2-R2	1/8	3.18	1/8	1.8	9/16	14.29	14.0	31.0
DHC 2-4	DHC 2-R4	1/8	3.18	1/4	1.8	3/4	19.05	14.0	34.0
DHC 3-2	DHC 3-R2	3/16	4.76	1/8	3.2	9/16	14.29	14.8	32.1
DHC 3-4	DHC 3-R4	3/16	4.76	1/4	3.2	3/4	19.05	14.8	34.8
DHC 4-2	DHC 4-R2	1/4	6.35	1/8	4.6	9/16	14.29	16.5	33.5
DHC 4-4	DHC 4-R4	1/4	6.35	1/4	4.6	3/4	19.05	16.5	36.5
DHC 4-6	DHC 4-R6	1/4	6.35	3/8	4.6	7/8	22.23	16.5	39.5
DHC 4-8	DHC 4-R8	1/4	6.35	1/2	4.6	1-1/16	26.99	16.5	45.2
DHC 5-2	DHC 5-R2	5/16	7.94	1/8	6.4	9/16	14.29	17.2	34.3
DHC 5-4	DHC 5-R4	5/16	7.94	1/4	6.4	3/4	19.05	17.2	37.1
DHC 6-2	DHC 6-R2	3/8	9.53	1/8	7.1	9/16	14.29	18.0	35.3
DHC 6-4	DHC 6-R4	3/8	9.53	1/4	7.1	3/4	19.05	18.0	38.0
DHC 6-6	DHC 6-R6	3/8	9.53	3/8	7.1	7/8	22.23	18.0	41.0
DHC 6-8	DHC 6-R8	3/8	9.53	1/2	7.1	1-1/16	26.99	18.0	46.5
DHC 8-4	DHC 8-R2	1/2	12.7	1/8	9.9	9/16	14.29	23.5	40.5
DHC 8-6	DHC 8-R4	1/2	12.7	1/4	9.9	3/4	19.05	23.5	43.5
DHC 8-8	DHC 8-R6	1/2	12.7	3/8	9.9	7/8	22.23	23.5	47.0
DHC 8-8	DHC 8-R8	1/2	12.7	1/2	9.9	1-1/16	26.99	23.5	52.5
DHC 8-8	DHC 8-R12	1/2	12.7	3/4	9.9	1-5/16	33.34	23.5	54.0
DHC 10-6	DHC 10-R6	5/8	15.88	3/8	12.7	7/8	22.23	25.2	48.3
DHC 10-8	DHC 10-R8	5/8	15.88	1/2	12.7	1-1/16	26.99	25.2	53.8
DHC 10-12	DHC 10-R12	5/8	15.88	3/4	12.7	1-5/16	33.34	25.2	55.4
DHC 12-8	DHC 12-R8	3/4	19.05	1/2	15.0	1-1/16	26.99	25.2	54.0
DHC 12-12	DHC 12-R12	3/4	19.05	3/4	15.0	1-5/16	33.34	25.2	55.4
DHC 12-16	DHC 12-R16	3/4	19.05	1	15.0	1-5/8	41.28	25.2	62.5
DHC 14-12	DHC 14-R12	7/8	22.23	3/4	17.3	1-5/16	33.34	27.0	57.2
DHC 16-12	DHC 16-R8	1	25.4	1/2	20.1	1-1/16	26.99	32.5	61.0
DHC 16-16	DHC 16-R12	1	25.4	3/4	20.1	1-5/16	33.34	32.5	62.0
DHC 16-16	DHC 16-R16	1	25.4	1	20.1	1-5/8	41.28	32.5	68.8

BI-Lok	DHF	Gauge Adapter Connects fractional BI-LOK port to female UNF straight thread
---------------	------------	---

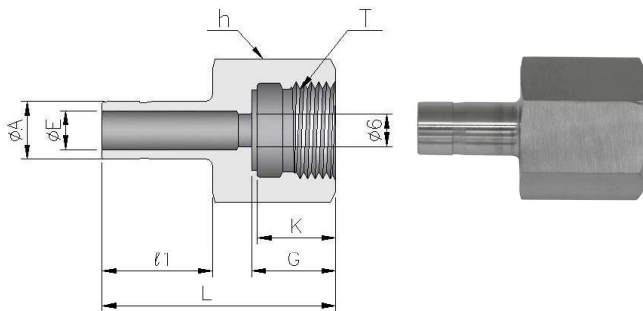


Part No.	A (Tube O.D.)		T	E	h (HEX)		l	L	O-ring AS568 (NBR)
	in	mm	UNF	mm	in	mm	mm	mm	
DHF 6-6	3/8	9.53	9/16-18	7.1	7/8	22.23	18.0	40.0	-906
DHF 6-8	3/8	9.53	3/4-16	7.1	1-1/16	26.99	18.0	44.0	-908
DHF 8-6	1/2	12.7	9/16-18	9.9	7/8	22.23	23.5	45.0	-906
DHF 8-8	1/2	12.7	3/4-16	9.9	1-1/16	26.99	23.5	48.0	-908

BI-Lok	DHF	Gauge Adapter Connects fractional BI-LOK port to female ISO/straight thread
---------------	------------	---

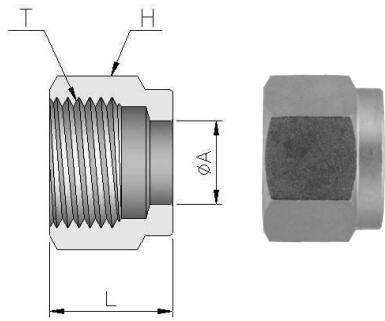
Part No.	A (Tube O.D.)		T	E	h (HEX)		l	L	O-ring JIS B 2401
	in	mm	G	mm	in	mm	mm	mm	
DHF 4-G4	1/4	6.35	1/4	4.6	3/4	19.05	16.5	36.5	IB-P11
DHF 4-G6	1/4	6.35	3/8	4.6	7/8	22.23	16.5	39.5	14

BI-Lok	DHG	Gauge Adapter Connects fractional BI-LOK port to female ISO/G straight thread
---------------	------------	---



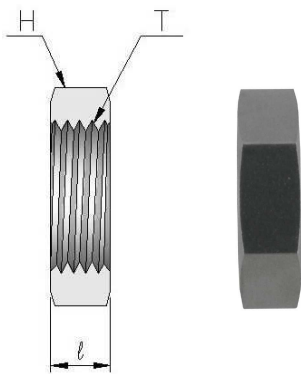
Part No.	A (Tube O/D)		T	E	E ₁	h (HEX)		l	G	L	K
	in	mm	G	mm	mm	in	mm	mm	mm	mm	mm
DHG 4-G4	1/4	6.35	1/4	4.6	6.0	3/4	19.05	16.5	15.0	38.0	14.0
DHG 4-G6	1/4	6.35	3/8	4.6	6.0	7/8	22.23	16.5	15.0	40.0	14.0
DHG 6-G6	3/8	9.53	3/8	7.1	6.0	7/8	22.23	18.0	15.0	40.0	14.0
DHG 8-G8	1/2	12.7	1/2	9.9	6.0	1-1/16	26.99	23.5	17.0	47.5	16.0

<i>Bl-Lok</i>	DNA	Nut Fractional tube
---------------	------------	--------------------------------



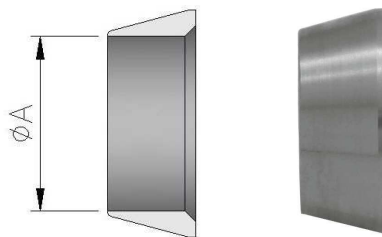
Part No.	A (Tube O. D)		H (HEX)		L	T (Straight thread)
	in	mm	in	mm		
DNA 1	1/16	1.59	5/16	7.94	8.0	10-32UNF
DNA 2	1/8	3.18	7/16	11.11	11.9	5/16-20UN
DNA 3	3/16	4.76	1/2	12.7	11.9	3/8-20UN
DNA 4	1/4	6.35	9/16	14.29	12.7	7/16-20UNF
DNA 5	5/16	7.94	5/8	15.88	13.5	1/2-20UNF
DNA 6	3/8	9.53	11/16	17.46	14.2	9/16-20UN
DNA 8	1/2	12.7	7/8	22.23	17.5	3/4-20UNEF
DNA 10	5/8	15.88	1	25.4	17.5	7/8-20UNEF
DNA 12	3/4	19.05	1-1/8	28.58	17.5	1-20UNEF
DNA 14	7/8	22.23	1-1/4	31.75	17.5	1-1/8-20UN
DNA 16	1	25.4	1-1/2	38.1	20.6	1-5/16-20UN

<i>Bl-Lok</i>	DNN	Lock Nut for bulkhead type
---------------	------------	---------------------------------------



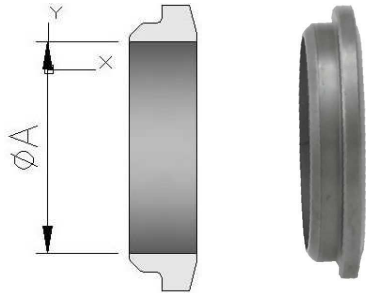
Part No.	H (HEX)		T	l
	in	mm		
DNN 1	5/16	7.94	10-32	4.0
DNN 2	1/2	12.7	5/16-20	4.5
DNN 3	9/16	14.29	3/8-20	5.5
DNN 4	5/8	15.88	7/16-20	6.0
DNN 5	11/16	17.46	1/2-20	6.0
DNN 6	3/4	19.05	9/16-20	6.0
DNN 8	15/16	23.81	3/4-20	7.0
DNN 10	1-1/16	26.99	7/8-20	8.0
DNN 12	1-3/16	30.16	1-20	9.0
DNN 14	1-3/8	34.93	1-1/8-20	10.8
DNN 16	1-5/8	41.28	1-5/16-20	11.9

<i>Bl-Lok</i>	DOF	Front Ferrule Fractional tube
---------------	------------	--



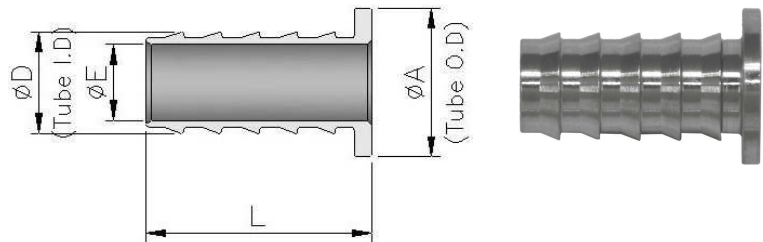
Part No.	A (Tube O. D)	
	in	mm
DOF 1	1/16	1.59
DOF 2	1/8	3.18
DOF 3	3/16	4.76
DOF 4	1/4	6.35
DOF 5	5/16	7.94
DOF 6	3/8	9.53
DOF 8	1/2	12.7
DOF 10	5/8	15.88
DOF 12	3/4	19.05
DOF 14	7/8	22.23
DOF 16	1	25.4

Bl-Lok	DOB	Back Ferrule Fractional tube
---------------	------------	---

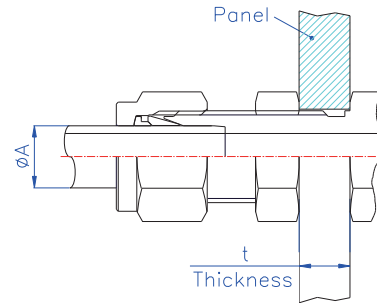
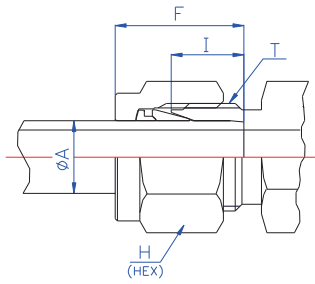


Part No.	A (Tube O. D)	
	in	mm
DOB 1	1/16	1.59
DOB 2	1/8	3.18
DOB 3	3/16	4.76
DOB 4	1/4	6.35
DOB 5	5/16	7.94
DOB 6	3/8	9.53
DOB 8	1/2	12.7
DOB 10	5/8	15.88
DOB 12	3/4	19.05
DOB 14	7/8	22.23
DOB 16	1	25.4

Bl-Lok	DTI	Insert (Saw type) for fractional plastics tube
---------------	------------	---



Part No.	A (Tube O. D)		D (Tube I. D)		E	L
	in	mm	in	mm		
DTI 3-2	3/16	4.76	1/8	3.18	2.3	11.9
DTI 4-2	1/4	6.35	1/8	3.18	2.3	11.9
DTI 4-2.5	1/4	6.35	5/32	3.97	2.7	11.9
DTI 4-2.72	1/4	6.35	2.72/16	4.32	2.7	11.9
DTI 4-3	1/4	6.35	3/16	4.76	3.5	11.9
DTI 5-2	5/16	7.94	1/8	3.18	2.3	11.9
DTI 5-3	5/16	7.94	3/16	4.76	3.0	14.3
DTI 5-4	5/16	7.94	1/4	6.35	4.8	14.3
DTI 6-3	3/8	9.53	3/16	4.76	3.0	14.3
DTI 6-4	3/8	9.53	1/4	6.35	4.8	14.3
DTI 8-4	1/2	12.7	1/4	6.35	4.8	19.1
DTI 8-6	1/2	12.7	3/8	9.53	7.9	19.1
DTI 10-6	5/8	15.88	3/8	9.53	7.9	21.5
DTI 10-8	5/8	15.88	1/2	12.7	11.2	21.8
DTI 12-8	3/4	19.05	1/2	12.7	11.2	21.8
DTI 12-10	3/4	19.05	5/8	15.88	14.2	21.8
DTI 16-12	1	25.4	3/4	19.05	17.5	23.8
DTI 16-14	1	25.4	7/8	22.23	20.6	23.8



Fractional tube series

Nominal Size	Tube end dimensional data						Panel size for Bulkhead		
	A (Tube O.D)		T Unified Straight thread	I	H (Hex)		F	Panel Hole Drill dia	Panel wall thickness(t)
	in	mm			mm	in			
1	1/16	1.59	10-32	4.9	5/16	7.94	8.9	5.2	3.0
2	1/8	3.18	5/16-20	6.4	7/16	11.11	13.0	8.3	12.7
3	3/16	4.76	3/8-20	7.2	1/2	12.7	13.8	9.9	12.7
4	1/4	6.35	7/16-20	7.9	9/16	14.29	15.4	11.5	10.2
5	5/16	7.94	1/2-20	8.8	5/8	15.88	16.3	13.1	10.9
6	3/8	9.53	9/16-20	9.5	11/16	17.46	17.0	14.7	11.2
8	1/2	12.7	3/4-20	12.7	7/8	22.23	23.0	19.4	12.7
10	5/8	15.88	7/8-20	14.3	1	25.4	24.6	22.6	12.7
12	3/4	19.05	1-20	14.3	1-1/8	28.58	24.6	25.8	16.8
14	7/8	22.23	1-1/8-20	15.9	1-1/4	31.75	26.1	29.0	19.6
16	1	25.4	1-5/16-20	19.1	1-1/2	38.1	31.6	33.7	19.1

Metric tube series

Nominal Size	Tube end dimensional data						Panel size for Bulkhead		
	A (Tube O.D)		T Unified Straight thread	I	H (Hex)		F	Panel Hole Drill dia	Panel wall thickness(t)
	mm	mm			mm	mm			
2M	2	2	1/4-24	5.6	1 2	11.1	6.7	3.0	
3M	3	3	5/16-20	6.4	1 2	13.0	8.3	12.7	
4M	4	4	3/8-20	7.2	1 3	13.9	9.9	10.4	
6M	6	6	7/16-20	7.9	1 4	15.4	11.5	9.7	
8M	8	8	1/2-20	8.8	1 7	16.3	13.1	11.4	
10M	10	10	5/8-20	9.5	1 9	17.3	16.3	11.6	
12M	12	12	3/4-20	12.7	2 2	22.9	19.4	13.1	
15M	15	15	7/8-20	14.3	2 7	24.3	22.6	12.0	
16M	16	16	7/8-20	14.3	2 7	24.5	22.6	12.0	
18M	18	18	1-20	14.3	3 0	24.5	25.8	16.7	
20M	20	20	1-1/16-20	14.3	3 0	24.5	27.0	16.7	
22M	22	22	1-1/8-20	15.9	3 2	26.1	29.0	16.7	
25M	25	25	1-5/16-20	19.1	4 1	31.6	33.7	20.0	

Schedule pipe series

Nominal Size	Tube end dimensional data						Panel size for Bulkhead		
	A (Tube O.D)		T Unified Straight thread	I	H (Hex)		F	Panel Hole Drill dia	Panel wall thickness(t)
	in	mm			mm	mm			
10.5	1/8B	10.5	3/4-20	12.7	2 2	22.7	19.4	11.1	
13.8	1/4B	13.8	13/16-20	12.7	2 4	23.3	21.0	12.1	
17.3	3/8B	17.3	1-20	14.3	3 0	24.5	25.8	14.9	
21.7	1/2B	21.7	1-1/8-20	15.9	3 2	26.1	29.0	19.5	



イハラサイエンス株式会社
IHARA SCIENCE CORPORATION

ISO9001 / ISO14001 認証事業所

【東日本営業所】

〒108-0074

東京都港区高輪3丁目11番3号イハラ高輪ビル

■TEL:03-6721-6981 ■FAX:03-6721-6991

【中部営業所】

〒460-0012

愛知県名古屋市中区千代田3丁目14番地19号 千代田ツカサビル

■TEL:052-323-2627 ■FAX:052-323-2630

【西日本営業所】

〒530-0044

大阪府大阪市北区東天満2-6-5 (IS南森町ビル)

■TEL:06-6358-9255 ■FAX06-6358-9260

⚠ 注意

継手、バルブ、関係するアクセサリーの不適切な選択または取り扱いは、人体やシステムに障害・損傷を与える恐れがあります。システム設計者およびユーザーの責任と権限による判断のもとに、使用されるシステムとの適合性や使用条件を考慮の上、継手、バルブ、関連するアクセサリーを選定し、適切な取付け、操作及びメンテナンスを行ってください。ご使用にあたり、取扱説明書をお読みいただき内容をよくご理解下さい。取扱説明書がお手元がない場合、及び不明な点がある場合は最寄りの営業所までお問い合わせ下さい。

製品保証期間について

1. 保証期間

当社製品の保証期間は、使用開始から1年以内、もしくは納入後1.5年以内、いずれか早期に到達する期間と致します。ただし、製品が特殊仕様である場合や、当社の設計仕様を逸脱した状態で使用された場合はこの限りではありません。また、製品には耐久回数、交換部品などを定めているものがありますので、最寄りの営業所に御確認下さい。

2. 保証範囲

保証期間中において当社の責による故障や損傷が明らかになった場合は、代替品又は必要な交換品を無償で提供致します。尚、ここでの保証は、当社製品単体の保証を意味するもので、当社製品の故障や損傷により誘発される損害は、保証の対象範囲から除外させていただきます。

■ URL : <http://www.ihara-sc.co.jp/>

■ 本カタログの記載内容は、商品の改良等のため予告なく変更することがありますので、予めご了承下さい。

CAT No. 0094I