

BI-Lok[®]

**ダブルフェールタイプ
チューブ継手**

寸 法 表

**スケジュール管シリーズ
ステンレス鋼管**

目次 1

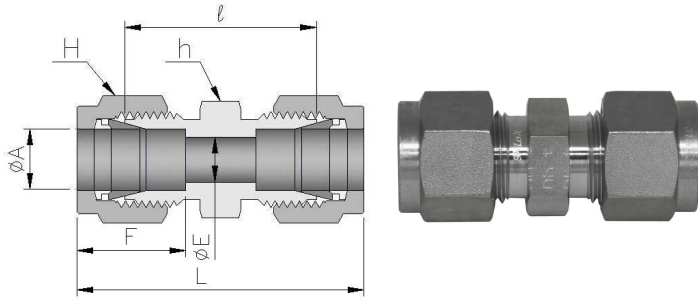
<p>118 M D U A ユニオン</p> 	<p>118 M D U R 径違いユニオン</p> 	<p>119 M D S U 隔壁ユニオン</p> 
<p>119 M D C T おすコネクタ</p> 	<p>120 M D C O 平行ねじOリングシール おすコネクタ</p> 	<p>121 M D C J 平行ねじガスケットシール おすコネクタ</p> 
<p>122 M D C U 平行ねじOリングシール おすコネクタ</p> 	<p>122 M D C W チューブさし込み溶接ユニオン</p> 	<p>123 M D S A めすコネクタ</p> 
<p>123 M D S S 隔壁めすコネクタ</p> 	<p>124 M D R E レデューサ</p> 	<p>124 M D C A キャップ</p> 
<p>125 M D B A プラグ</p> 	<p>125 M D L A ユニオンエルボ</p> 	<p>126 M D L R 径違いユニオンエルボ</p> 
<p>126 M D L N おすエルボ</p> 	<p>127 M D L F めすエルボ</p> 	<p>127 M D T A ユニオンティー</p> 

■本カタログの記載内容は、商品の改良等のため予告なく変更することがありますので、予めご了承下さい。

目次 2

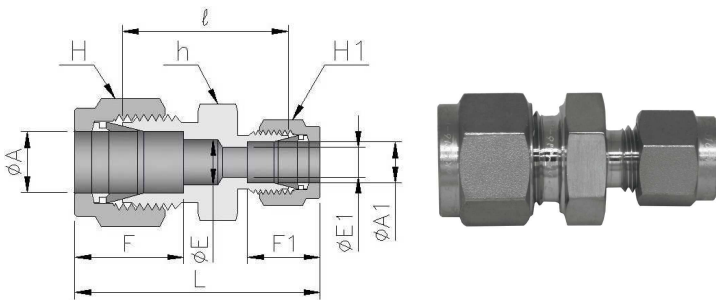
128 MDTR 径違いユニオンティー	128 MDTN おすブランチ・ティー	129 MDTH めすブランチ・ティー
		
129 MDXA クロス	130 MDHA おすアダプタ	130 MDAN ANアダプタ
		
131 MDOF フロントフェルール	131 MDOB バックフェルール	132 管端寸法表
		

<i>BI-Lok</i>	MDUA	Union Connects schedule pipes
---------------	-------------	---



Part No.	A	E	h	H	l	L	F
	mm	mm	mm	mm	mm	mm	mm
MDUA 10.5	10.5 (1/8 B)	7.9	22	22	32.0	52.0	22.7
MDUA 13.8	13.8 (1/4 B)	10.4	22	24	32.0	53.2	23.3
MDUA 17.3	17.3 (3/8 B)	12.7	27	30	34.5	54.9	24.5
MDUA 21.7	21.7 (1/2 B)	16.5	30	32	36.0	56.4	26.1

<i>BI-Lok</i>	MDUR	Reducing Union Connects schedule pipe to fractional tube
---------------	-------------	--

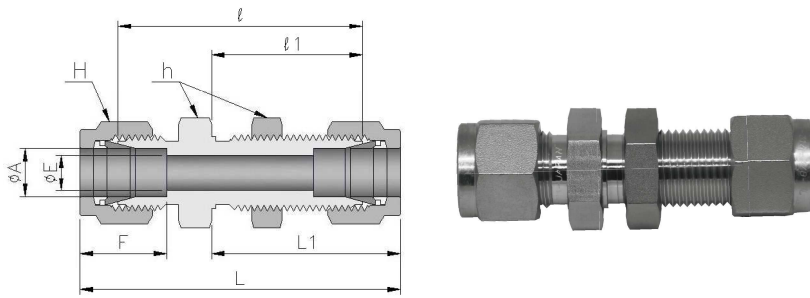


Part No.	A	A ₁		E	E ₁	h	H	H ₁	l	L	F	F ₁
	mm	in	mm	mm	mm	mm	mm	mm	mm	mm	mm	mm
MDUR 10.5-4	10.5 (1/8B)	1/4	6.35	7.9	4.8	22	22	14.29	30.5	48.0	22.7	15.4
MDUR 10.5-6	10.5 (1/8B)	3/8	9.53	7.9	7.1	22	22	17.46	32.5	50.0	22.7	17.0
MDUR 17.3-6	17.3 (3/8B)	3/8	9.53	12.7	7.1	27	30	17.46	34.5	52.2	24.5	17.0
MDUR 21.7-8	21.7 (1/2B)	1/2	12.7	16.5	10.4	30	32	22.23	36.0	56.5	26.1	23.0

Part No.	A	A ₁	E	E ₁	h	H	H ₁	l	L	F	F ₁
	mm	mm	mm	mm	mm	mm	mm	mm	mm	mm	mm
MDUR 13.8-12M	13.8 (1/4B)	12	10.4	9.5	22	24	22	32.0	52.8	23.3	22.9
MDUR 17.3-16M	17.3 (3/8B)	16	12.7	12.7	27	30	27	34.5	54.9	24.5	24.5
MDUR 21.7-12M	21.7 (1/2B)	12	16.5	9.5	30	32	22	36.0	56.4	26.1	22.9

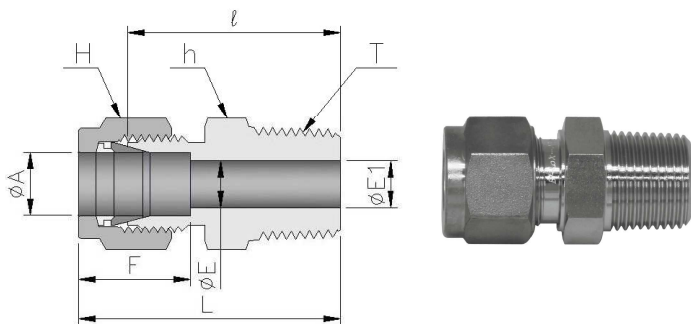
Part No.	A	A ₁	E	E ₁	h	H	H ₁	l	L	F	F ₁
	mm	mm	mm	mm	mm	mm	mm	mm	mm	mm	mm
MDUR 13.8-10.5	13.8 (1/4B)	10.5 (1/8B)	10.4	7.9	22	24	22	32.0	52.6	23.3	22.7
MDUR 17.3-10.5	17.3 (3/8B)	10.5 (1/8B)	12.7	7.9	27	30	22	34.5	54.7	24.5	22.7
MDUR 17.3-13.8	17.3 (3/8B)	13.8 (1/4B)	12.7	10.4	27	30	24	34.5	55.3	24.5	23.3
MDUR 21.7-10.5	21.7 (1/2B)	10.5 (1/8B)	16.5	7.9	30	32	22	36.0	56.2	26.1	22.7
MDUR 21.7-13.8	21.7 (1/2B)	13.8 (1/4B)	16.5	10.4	30	32	24	36.0	56.8	26.1	23.3
MDUR 21.7-17.3	21.7 (1/2B)	17.3 (3/8B)	16.5	12.7	30	32	30	36.0	56.4	26.1	24.5

<i>Bl-Lok</i>	MDSU	Bulkhead Union Connects schedule pipes
---------------	-------------	---



Part No.	A	E	h	H	l	l ₁	L	L ₁	F	Panel	
	mm	mm	Hex	Hex	mm	mm	mm	mm	mm	hole	thick
MDSU 10.5	10.5 (1/8 B)	7.9	24	22	50.8	32.0	70.8	42.0	22.7	19.4	11.1
MDSU 13.8	13.8 (1/4 B)	10.4	27	24	52.5	32.5	73.7	43.1	23.3	21.0	12.1
MDSU 17.3	17.3 (3/8 B)	12.7	30	30	58.7	38.1	79.1	48.3	24.5	25.8	14.9
MDSU 21.7	21.7 (1/2 B)	16.5	36	32	66.0	42.0	86.4	52.2	26.1	29.0	19.5

<i>Bl-Lok</i>	MDCT	Male Connector Connects schedule pipe to female tapered thread
---------------	-------------	---

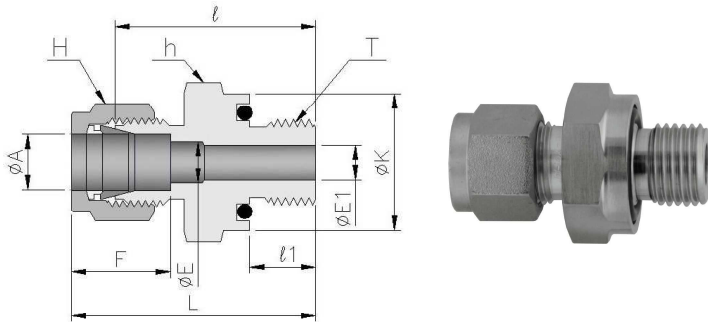


Part No.		A	T	E	E ₁	h	H	l	L	F
ANSI NPT	ISO/JIS R	mm	NPT/R	mm	mm	Hex	Hex	mm	mm	mm
MDCT 10.5-2	MDCT 10.5-R2	10.5 (1/8 B)	1/8	7.9	4.8	22	22	31.3	41.3	22.7
MDCT 10.5-4	MDCT 10.5-R4	10.5 (1/8 B)	1/4	7.9	7.1	22	22	33.3	43.3	22.7
MDCT 10.5-6		10.5 (1/8 B)	3/8	7.9	7.9	22	22	33.3	43.3	22.7
	MDCT 10.5-R6	10.5 (1/8 B)	3/8	7.9	7.9	22	22	34.3	44.3	22.7
MDCT 10.5-8	MDCT 10.5-R8	10.5 (1/8 B)	1/2	7.9	7.9	22	22	38.9	48.9	22.7
		13.8 (1/4 B)	1/8	10.4	4.8	22	24	31.3	41.9	23.3
MDCT 13.8-4	MDCT 13.8-R4	13.8 (1/4 B)	1/4	10.4	7.1	22	24	33.3	43.9	23.3
MDCT 13.8-6		13.8 (1/4 B)	3/8	10.4	10.4	22	24	33.3	43.9	23.3
	MDCT 13.8-R6	13.8 (1/4 B)	3/8	10.4	10.4	22	24	34.3	44.9	23.3
MDCT 13.8-8	MDCT 13.8-R8	13.8 (1/4 B)	1/2	10.4	10.4	22	24	38.9	49.5	23.3
	MDCT 13.8-R12	13.8 (1/4 B)	3/4	10.4	12.7	27	24	43.7	54.3	23.3
MDCT 17.3-4	MDCT 17.3-R4	17.3 (3/8 B)	1/4	12.7	7.1	27	30	36.7	46.9	24.5
MDCT 17.3-6		17.3 (3/8 B)	3/8	12.7	10.4	27	30	36.7	46.9	24.5
	MDCT 17.3-R6	17.3 (3/8 B)	3/8	12.7	10.4	27	30	37.7	47.9	24.5
MDCT 17.3-8	MDCT 17.3-R8	17.3 (3/8 B)	1/2	12.7	12.7	27	30	41.7	51.9	24.5
MDCT 17.3-12		17.3 (3/8 B)	3/4	12.7	12.7	27	30	41.7	51.9	24.5
	MDCT 17.3-R12	17.3 (3/8 B)	3/4	12.7	12.7	27	30	43.7	53.9	24.5
		21.7 (1/2 B)	1/8	16.5	4.8	30	32	32.7	42.9	26.1
MDCT 21.7-6	MDCT 21.7-R4	21.7 (1/2 B)	1/4	16.5	7.1	30	32	36.7	46.9	26.1
		21.7 (1/2 B)	3/8	16.5	10.4	30	32	36.7	46.9	26.1
	MDCT 21.7-R6	21.7 (1/2 B)	3/8	16.5	10.4	30	32	37.7	47.9	26.1
MDCT 21.7-8	MDCT 21.7-R8	21.7 (1/2 B)	1/2	16.5	12.7	30	32	41.7	51.9	26.1
MDCT 21.7-12		21.7 (1/2 B)	3/4	16.5	16.5	30	32	41.7	51.9	26.1
	MDCT 21.7-R12	21.7 (1/2 B)	3/4	16.5	16.5	30	32	43.7	53.9	26.1

BI-Lok

MDCO

O-ring seal Male Connector for straight thread
Connects schedule BI-LOK port to female UNF thread



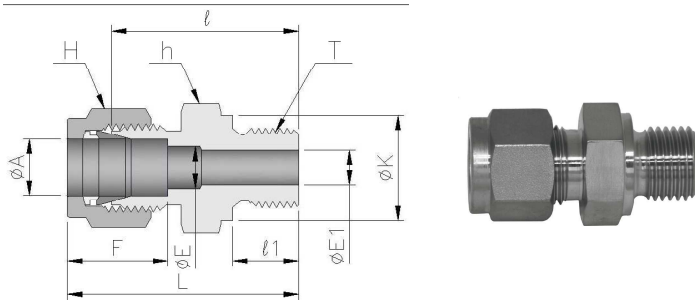
Part No.	A	T	E	E ₁	K	h	H	l	l ₁	L	F	O-ring (NBR)
	mm	UNF	mm	mm	mm	Hex	Hex	mm	mm	mm	mm	AS568
MDCO 10.5-6	10.5 (1/8 B)	9/16-18	7.9	7.1	23.6	24	22	34.5	11.9	44.5	22.7	113
MDCO 13.8-6	13.8 (1/4 B)	9/16-18	10.4	7.1	23.6	24	24	34.5	11.9	45.1	23.3	113
MDCO 17.3-8	17.3 (3/8 B)	3/4-16	12.7	10.4	28.4	30	30	36.0	11.9	46.2	24.5	116
MDCO 21.7-8	21.7 (1/2 B)	3/4-16	16.5	10.4	28.4	30	32	36.0	11.9	46.2	26.1	116

Part No.	A	T	E	E ₁	h	H	K	l	l ₁	L	F	O-ring (JISB2401 (フッ素ゴム))
	mm	G	mm	mm	Hex	Hex	mm	mm	mm	mm	mm	
MDCO 10.5-G4	10.5 (1/8 B)	1/4	7.9	6.4	24	22	23.5	35.5	12	45.5	22.7	4D-P-15
MDCO 10.5-G6	10.5 (1/8 B)	3/8	7.9	7.9	27	22	26.5	35.5	12	45.5	22.7	4D-P-18
MDCO 10.5-G8	10.5 (1/8 B)	1/2	7.9	12.0	32	22	31.5	39.5	14	49.5	22.7	4D-P-22
MDCO 13.8-G6	13.8 (1/4 B)	3/8	10.4	7.9	27	24	26.5	35.5	12	46.1	23.3	4D-P-18
MDCO 13.8-G8	13.8 (1/4 B)	1/2	10.4	12.0	32	24	31.5	39.5	14	50.1	23.3	4D-P-22
MDCO 17.3-G6	17.3 (3/8 B)	3/8	12.7	7.9	27	30	26.5	36.5	12	46.7	24.5	4D-P-18
MDCO 17.3-G8	17.3 (3/8 B)	1/2	12.7	12.0	32	30	31.5	40.5	14	50.7	24.5	4D-P-22
MDCO 21.7-G8	21.7 (1/2 B)	1/2	16.5	12.0	32	32	31.5	40.5	14	50.7	26.1	4D-P-22
MDCO 21.7-G12	21.7 (1/2 B)	3/4	16.5	16.0	41	32	40.5	45.5	18	55.7	26.1	4D-P-28

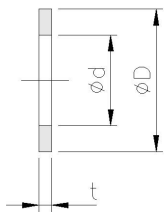
BI-Lok

MDCJ

Gasket seal Male Connector for straight thread
Connects schedule BI-LOK port to female ISO parallel thread



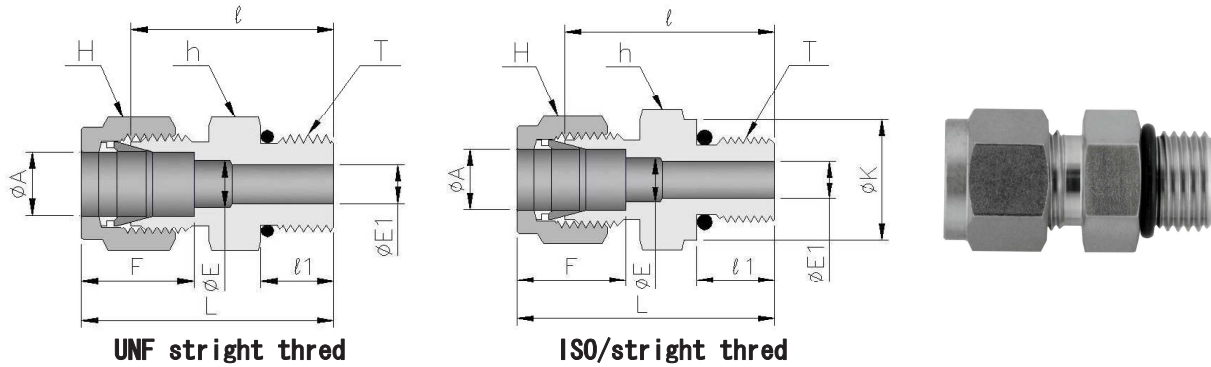
Part No.	A	T	E	E ₁	h	H	K	l	l ₁	L	F
	mm	G	mm	mm	Hex	Hex	mm	mm	mm	mm	mm
MDCJ 10.5-G4	10.5 (1/8 B)	1/4	7.9	5.9	22	22	18.0	33.0	11.2	43.0	22.7
MDCJ 10.5-G6	10.5 (1/8 B)	3/8	7.9	7.9	22	22	21.8	33.0	11.2	43.0	22.7
MDCJ 10.5-G8	10.5 (1/8 B)	1/2	7.9	11.9	27	22	26.0	38.9	14.2	48.9	22.7
MDCJ 13.8-G4	13.8 (1/4 B)	1/4	10.4	5.9	22	24	18.0	33.0	11.2	43.6	23.3
MDCJ 13.8-G6	13.8 (1/4 B)	3/8	10.4	7.9	22	24	21.8	33.0	11.2	43.6	23.3
MDCJ 13.8-G8	13.8 (1/4 B)	1/2	10.4	11.9	27	24	26.0	38.9	14.2	49.5	23.3
MDCJ 17.3-G4	17.3 (3/8 B)	1/4	12.7	5.9	27	30	18.0	34.9	11.2	45.1	24.5
MDCJ 17.3-G6	17.3 (3/8 B)	3/8	12.7	7.9	27	30	21.8	34.9	11.2	45.1	24.5
MDCJ 17.3-G8	17.3 (3/8 B)	1/2	12.7	11.9	27	30	26.0	38.9	14.2	49.1	24.5
MDCJ 21.7-G4	21.7 (1/2 B)	1/4	16.5	5.9	30	32	18.0	36.9	11.2	47.1	26.1
MDCJ 21.7-G6	21.7 (1/2 B)	3/8	16.5	7.9	30	32	21.8	36.9	11.2	47.1	26.1
MDCJ 21.7-G8	21.7 (1/2 B)	1/2	16.5	11.9	30	32	26.0	40.9	14.2	51.1	26.1



Gasket

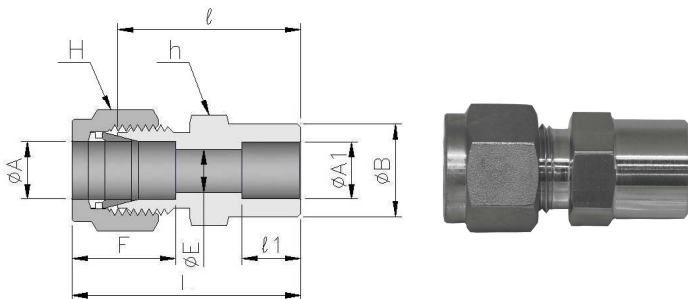
Material : Cuppor

Part No.	T	D	d	t
KP-A-03	G1/4	22	14	2
KP-A-05	G3/8	26	17	2
KP-A-07	G1/2	32	21.5	2

BI-Lok**MDCU****O-ring seal Male Connector for straight thread**
Connects schedule BI-LOK port to female UNF thread

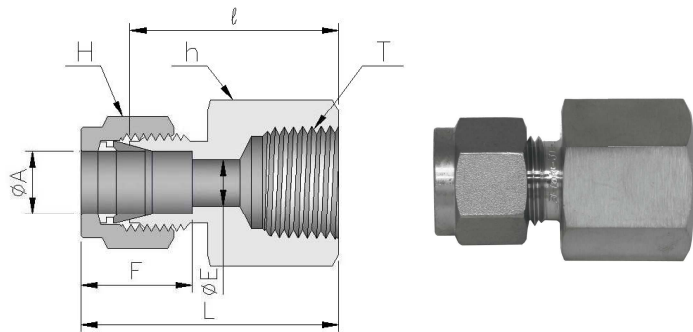
Part No.	A	T	E	E ₁	h	H	l	l ₁	L	F	O-ring (NBR)
	mm	UNF	mm	mm	Hex	Hex	mm	mm	mm	mm	AS568
MDCU 10.5-4	10.5 (1/8 B)	7/16-20	7.9	5.1	22	22	27.5	9.1	37.5	22.7	904
MDCU 10.5-6	10.5 (1/8 B)	9/16-18	7.9	7.1	22	22	29.0	9.9	39.0	22.7	906
MDCU 13.8-6	13.8 (1/4 B)	9/16-18	10.4	7.1	22	24	30.0	9.9	40.6	23.3	906
MDCU 17.3-6	17.3 (3/8 B)	9/16-18	12.7	7.1	27	30	30.8	9.9	41.0	24.5	906
MDCU 17.3-8	17.3 (3/8 B)	3/4-16	12.7	10.4	27	30	32.8	11.0	43.0	24.5	908
MDCU 21.7-8	21.7 (1/2 B)	3/4-16	16.5	10.4	30	32	35.0	11.0	45.2	26.1	908

Part No.	A	T	E	E ₁	h	H	K	l	l ₁	L	F	O-ring (NBR)
	mm	G	mm	mm	Hex	Hex	mm	mm	mm	mm	mm	JISB2401
MDCU 10.5-G4	10.5 (1/8 B)	1/4	7.9	6.4	22	22	19	34	12	44.0	22.7	1B-P-11
MDCU 10.5-G6	10.5 (1/8 B)	3/8	7.9	7.9	22	22	22	34	12	44.0	22.7	1B-P-14
MDCU 13.8-G4	13.8 (1/4 B)	1/4	10.4	6.4	22	24	19	34	12	44.6	23.3	1B-P-11
MDCU 17.3-G6	17.3 (3/8 B)	3/8	12.7	7.9	27	30	22	35	12	45.2	24.5	1B-P-14
MDCU 17.3-G8	17.3 (3/8 B)	1/2	12.7	12.0	27	30	27	39	14	49.2	24.5	1B-P-18
MDCU 21.7-G8	21.7 (1/2 B)	1/2	16.5	12.0	30	32	27	40	14	50.2	26.1	1B-P-18

BI-Lok**MDCW****Tube socket weld Connector**
Connects schedule pipes

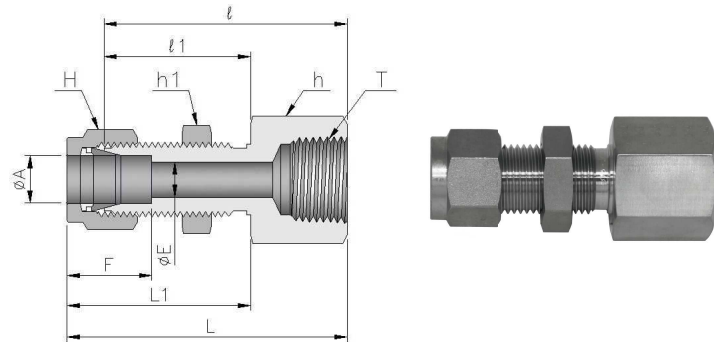
Part No.	A	A ₁	E	h	H	B	l	l ₁	L	F
	mm	mm	mm	mm	mm	mm	mm	mm	mm	mm
MDCW 10.5-10.5	10.5 (1/8 B)	10.5 (1/8 B)	7.9	22	22	20	32.0	10.0	42.0	22.7
MDCW 13.8-13.8	13.8 (1/4 B)	13.8 (1/4 B)	10.4	22	24	20	32.0	12.7	42.6	23.3
MDCW 17.3-17.3	17.3 (3/8 B)	17.3 (3/8 B)	12.7	27	30	26	34.6	14.0	44.8	24.5
MDCW 21.7-21.7	21.7 (1/2 B)	21.7 (1/2 B)	16.5	32	32	29	36.0	14.0	46.2	26.1

<i>BI-Lok</i>	MDSA	Female Connector Connects schedule pipe to male tapered pipe thread
---------------	-------------	---

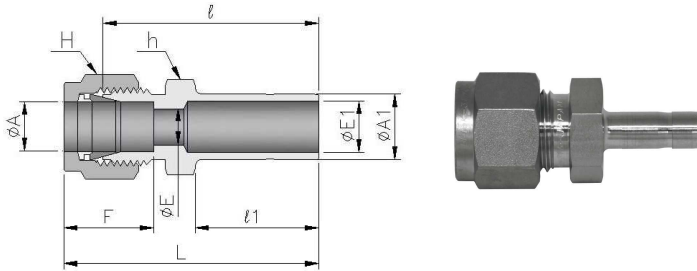


Part No.		A	T	E	h	H	l	L	F
ANSI NPT	ISO/JIS Rc	mm	NPT/Rc	mm	Hex	Hex	mm	mm	mm
MDSA 10.5-2	MDSA 10.5-R2	10.5(1/8 B)	1/8	7.9	22	22	28.6	38.6	22.7
MDSA 10.5-4	MDSA 10.5-R4	10.5(1/8 B)	1/4	7.9	22	22	32.6	42.6	22.7
MDSA 10.5-6	MDSA 10.5-R6	10.5(1/8 B)	3/8	7.9	22	22	32.9	42.9	22.7
MDSA 10.5-8	MDSA 10.5-R8	10.5(1/8 B)	1/2	7.9	27	22	36.6	46.6	22.7
MDSA 10.5-12	MDSA 10.5-R12	10.5(1/8 B)	3/4	7.9	32	22	40.9	50.9	22.7
MDSA 13.8-4	MDSA 13.8-R4	13.8(1/4 B)	1/4	10.4	22	24	32.6	43.2	23.3
MDSA 13.8-6	MDSA 13.8-R6	13.8(1/4 B)	3/8	10.4	22	24	32.9	43.5	23.3
MDSA 13.8-8	MDSA 13.8-R8	13.8(1/4 B)	1/2	10.4	27	24	36.6	47.2	23.3
MDSA 13.8-12	MDSA 13.8-R12	13.8(1/4 B)	3/4	10.4	32	24	40.9	51.5	23.3
MDSA 17.3-4	MDSA 17.3-R4	17.3(3/8 B)	1/4	12.7	27	30	33.0	43.2	24.5
MDSA 17.3-6	MDSA 17.3-R6	17.3(3/8 B)	3/8	12.7	27	30	33.4	43.6	24.5
MDSA 17.3-8	MDSA 17.3-R8	17.3(3/8 B)	1/2	12.7	27	30	37.4	47.6	24.5
MDSA 17.3-12	MDSA 17.3-R12	17.3(3/8 B)	3/4	12.7	32	30	40.9	51.1	24.5
MDSA 21.7-8	MDSA 21.7-R8	21.7(1/2 B)	1/2	16.5	30	32	39.9	50.1	26.1
MDSA 21.7-12	MDSA 21.7-R12	21.7(1/2 B)	3/4	16.5	32	32	40.9	51.1	26.1

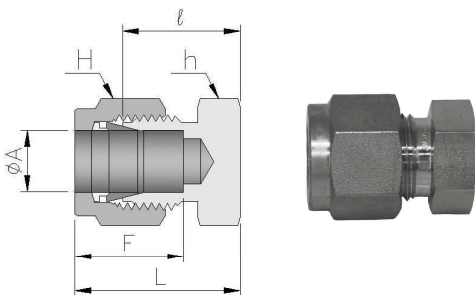
<i>BI-Lok</i>	MDSS	Bulkhead Female Connector Connects schedule pipe to male ISO tapered pipe thread
---------------	-------------	--



Part No.	A	T	E	h	h ₁	H	l	l ₁	L	L ₁	F	Panel	
	mm	Rc	mm	Hex	Hex	Hex	mm	mm	mm	mm	mm	Hole	Thick
MDSS 10.5-R4	10.5(1/8 B)	1/4	7.9	24	24	22	52.7	32.0	62.7	42.0	22.7	19.4	11.1
MDSS 13.8-R6	13.8(1/4 B)	3/8	10.4	27	27	24	53.5	32.5	64.1	43.1	23.3	21.0	12.1
MDSS 17.3-R6	17.3(3/8 B)	3/8	12.7	30	30	30	59.6	38.1	69.8	48.3	24.5	25.8	14.9
MDSS 21.7-R8	21.7(1/2 B)	1/2	16.5	36	36	32	70.0	42.0	80.2	52.2	26.1	29.0	19.5

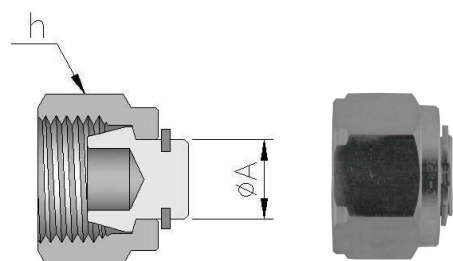
BI-Lok**MDRE****Reducer**
Connects schedule pipe to schedule BI-LOK port

Part No.	A (Tube OD)	A ₁ (Tube OD)	E	E ₁	h	H	l	l ₁	L	F
	mm	mm	mm	mm	Hex	Hex	mm	mm	mm	mm
MDRE 10.5-13.8	10.5 (1/8 B)	13.8 (1/4 B)	7.9	10.4	22	22	43.0	23.5	53.0	22.7
MDRE 13.8-10.5	13.8 (1/4 B)	10.5 (1/8 B)	10.4	7.9	22	24	43.2	23.5	53.8	23.3
MDRE 13.8-17.3	13.8 (1/4 B)	17.3 (3/8 B)	10.4	12.0	22	24	45.0	25.2	55.6	23.3
MDRE 17.3-13.8	17.3 (3/8 B)	13.8 (1/4 B)	12.7	10.4	27	30	43.5	23.5	53.7	24.5
MDRE 17.3-21.7	17.3 (3/8 B)	21.7 (1/2 B)	12.7	16.5	27	30	47.0	27.0	57.2	24.5
MDRE 21.7-17.3	13.8 (1/4 B)	17.3 (3/8 B)	16.5	12.7	30	32	50.0	25.2	60.2	26.1

BI-Lok**MDCA****Cap**
Caps end of Schedule pipe

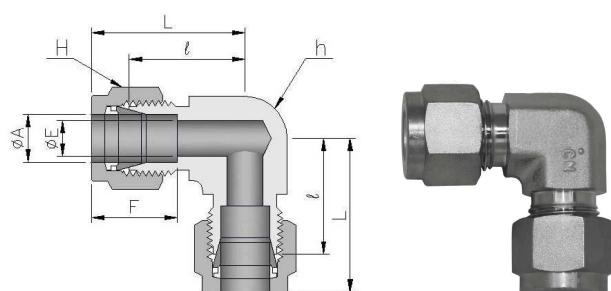
Part No.	A	h (Hex)	H	l	L	F
	mm	mm	mm	mm	mm	mm
MDCA 10.5	10.5 (1/8B)	22	22	19.8	29.8	22.7
MDCA 13.8	13.8 (1/4B)	22	24	19.8	30.4	23.3
MDCA 17.3	17.3 (3/8B)	27	30	22.0	32.2	24.5
MDCA 21.7	21.7 (1/2B)	30	32	22.3	32.5	26.1

<i>BI-Lok</i>	MDBA	Plug Schedule pipe
---------------	-------------	-------------------------------



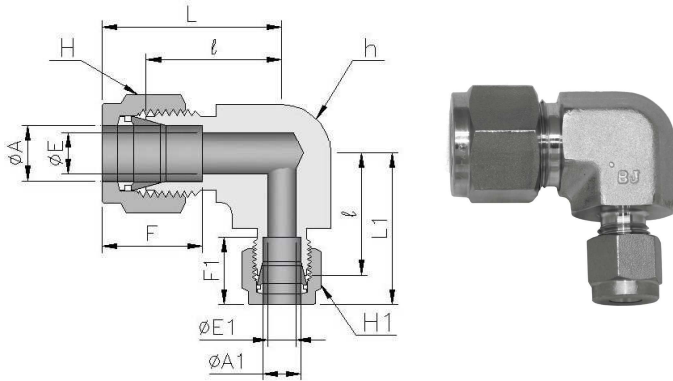
Part No.	A	h (Hex)	Snap ring
	mm	mm	
MDBA 10.5	10.5 (1/8B)	22	E Type (JIS B2804-8)
MDBA 13.8	13.8 (1/4B)	24	E Type (JIS B2804-12)
MDBA 17.3	17.3 (3/8B)	30	C Type (JIS B2804-17)
MDBA 21.7	21.7 (1/2B)	32	E Type (US-81S)

<i>BI-Lok</i>	MDLA	Union Elbow Connects schedule pipes
---------------	-------------	--



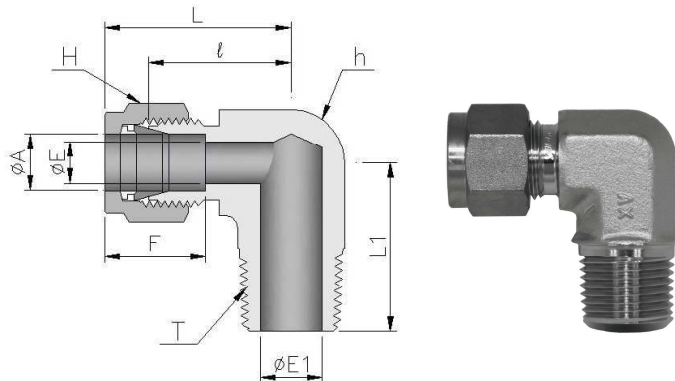
Part No.	A	E	h	H	l	L	F
	mm	mm	mm	mm	mm	mm	mm
MDLA 10.5	10.5 (1/8 B)	7.9	22	22	27.0	37.0	22.7
MDLA 13.8	13.8 (1/4 B)	10.4	22	24	27.0	37.6	23.3
MDLA 17.3	17.3 (3/8 B)	12.7	27	30	28.2	38.4	24.5
MDLA 21.7	21.7 (1/2 B)	16.5	30	32	32.5	42.7	26.1

<i>BI-Lok</i>	MDLR	Reducing Union Elbow Connects schedule pipes
---------------	-------------	--



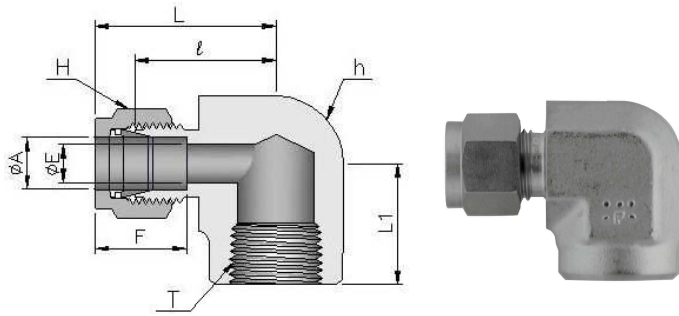
Part No.	A	A ₁	E	E ₁	h	H	H ₁	l	L	L ₁	F	F ₁
	mm	mm	mm	mm	mm	mm	mm	mm	mm	mm	mm	mm
MDLR13.8-10.5	13.8 (1/4B)	10.5 (1/8B)	10.4	7.9	22	24	22	27.0	37.6	37.0	23.3	22.7
MDLR17.3-10.5	17.3 (3/8B)	10.5 (1/8B)	12.7	7.9	27	30	22	28.2	38.4	38.2	24.5	22.7
MDLR17.3-13.8	17.3 (3/8B)	13.8 (1/4B)	12.7	10.4	27	30	24	28.2	38.4	38.8	24.5	23.3
MDLR21.7-10.5	21.7 (1/2B)	10.5 (1/8B)	10.5	7.9	30	32	22	32.5	42.7	42.5	26.1	22.7
MDLR21.7-13.8	21.7 (1/2B)	13.8 (1/4B)	13.8	10.4	30	32	24	32.5	42.7	43.1	26.1	23.3
MDLR21.7-17.3	21.7 (1/2B)	17.3 (3/8B)	17.3	12.7	30	32	30	32.5	42.7	42.7	26.1	24.5

<i>BI-Lok</i>	MDLN	Male Elbow Connects schedule pipe to female tapered thread
---------------	-------------	--



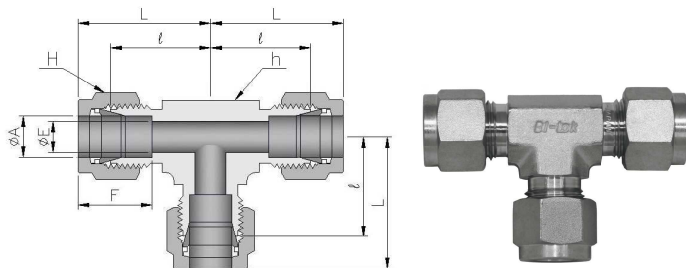
Part No.		A	T	E	E ₁	h	H	l	L	L ₁	F
ANSI NPT	ISO/JIS R	mm	NPT/R	mm	mm	Hex	Hex	mm	mm	mm	mm
MDLN 10.5-2	MDLN 10.5-R2	10.5 (1/8 B)	1/8	7.9	4.8	22	22	27.0	37.0	25.5	22.7
MDLN 10.5-4	MDLN 10.5-R4	10.5 (1/8 B)	1/4	7.9	7.1	22	22	27.0	37.0	29.5	22.7
MDLN 10.5-6	MDLN 10.5-R6	10.5 (1/8 B)	3/8	7.9	10.4	22	22	27.0	37.0	29.5	22.7
MDLN 10.5-8	MDLN 10.5-R8	10.5 (1/8 B)	1/2	7.9	12.7	24	22	27.0	37.0	34.0	22.7
MDLN 13.8-4	MDLN 13.8-R4	13.8 (1/4 B)	1/4	10.4	7.1	22	24	27.0	37.6	29.5	23.3
MDLN 13.8-6	MDLN 13.8-R6	13.8 (1/4 B)	3/8	10.4	10.4	22	24	27.0	37.6	29.5	23.3
MDLN 13.8-8	MDLN 13.8-R8	13.8 (1/4 B)	1/2	10.4	12.7	24	24	27.0	37.6	34.0	23.3
MDLN 13.8-12	MDLN 13.8-R12	13.8 (1/4 B)	3/4	10.4	18.3	27	24	28.2	38.8	37.5	23.3
MDLN 17.3-6	MDLN 17.3-R6	17.3 (3/8 B)	3/8	12.7	10.4	27	30	28.2	38.4	31.5	24.5
MDLN 17.3-8	MDLN 17.3-R8	17.3 (3/8 B)	1/2	12.7	12.7	27	30	28.2	38.4	35.5	24.5
MDLN 17.3-12	MDLN 17.3-R12	17.3 (3/8 B)	3/4	12.7	18.3	27	30	28.2	38.4	37.5	24.5
MDLN 21.7-6	MDLN 21.7-R6	21.7 (1/2 B)	3/8	16.5	10.4	30	32	32.5	42.7	36.5	26.1
MDLN 21.7-8	MDLN 21.7-R8	21.7 (1/2 B)	1/2	16.5	12.7	30	32	32.5	42.7	40.5	26.1
MDLN 21.7-12	MDLN 21.7-R12	21.7 (1/2 B)	3/4	16.5	18.3	30	32	32.5	42.7	42.5	26.1

<i>Bl-Lok</i>	MDLF	Female Elbow Connects schedule pipe to male tapered pipe thread
---------------	-------------	---



Part No.		A	T	E	h	H	I	L	L ₁	F
ANSI NPT	ISO/JIS Rc	mm	NPT/Rc	mm	Flat	Hex	mm	mm	mm	mm
MDLF 10.5-4	MDLF 10.5-R4	10.5 (1/8 B)	1/4	7.9	22	22	27.0	37.0	22.5	22.7
MDLF 10.5-6	MDLF 10.5-R6	10.5 (1/8 B)	3/8	7.9	24	22	27.0	37.0	22.5	22.7
MDLF 13.8-4	MDLF 13.8-R4	13.8 (1/4 B)	1/4	10.4	22	24	27.0	37.6	22.5	23.3
MDLF 13.8-6	MDLF 13.8-R6	13.8 (1/4 B)	3/8	10.4	24	24	27.0	37.6	22.5	23.3
MDLF 17.3-4	MDLF 17.3-R4	17.3 (3/8 B)	1/4	12.7	27	30	28.2	38.4	27.0	24.5
MDLF 17.3-6	MDLF 17.3-R6	17.3 (3/8 B)	3/8	12.7	27	30	28.2	38.4	28.5	24.5
MDLF 21.7-6	MDLF 21.7-R6	17.3 (1/2 B)	3/8	16.5	30	32	32.5	42.7	32.5	26.1
MDLF 21.7-8	MDLF 21.7-R8	17.3 (1/2 B)	1/2	16.5	30	32	32.5	42.7	32.5	26.1

<i>Bl-Lok</i>	MDTA	Union Tee Connects schedule pipes
---------------	-------------	---

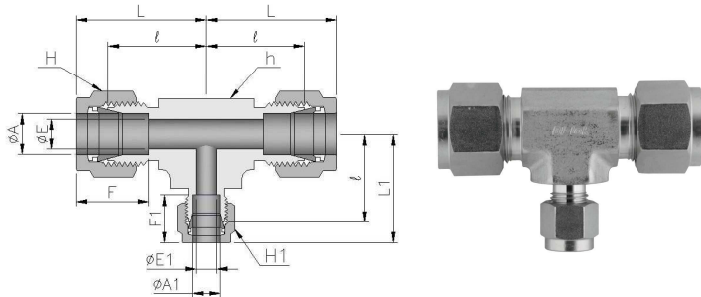


Part No.	A	E	h	H	I	L	F
	mm	mm	mm	mm	mm	mm	mm
MDTA 10.5	10.5 (1/8 B)	7.9	22	22	27.0	37.0	22.7
MDTA 13.8	13.8 (1/4 B)	10.4	22	24	27.0	37.6	23.3
MDTA 17.3	17.3 (3/8 B)	12.7	27	30	28.2	38.4	24.5
MDTA 21.7	21.7 (1/2 B)	16.5	30	32	32.5	42.7	26.1

Bl-Lok

MDTR

Reducing Union Tee
Connects schedule pipe to fractional tube



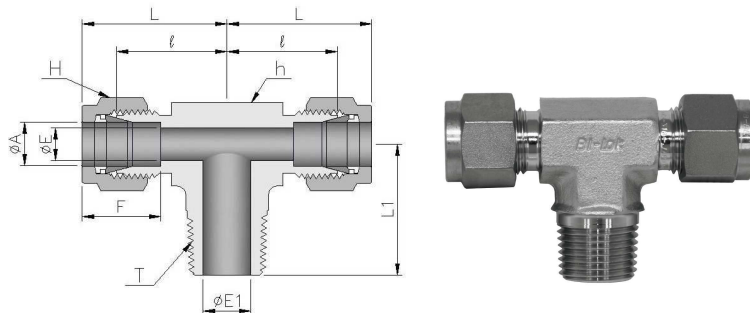
Part No.	A	A ₁		E	E ₁	h	H	H ₁	l	L	L ₁	F	F ₁
	mm	in	mm	mm	mm	mm	mm	mm	mm	mm	mm	mm	mm
MDTR 10.5-6	10.5 (1/8B)	3/8	9.53	7.9	7.1	22	22	17.46	27.0	37.0	34.5	22.7	17.0
MDTR 21.7-8	21.7 (1/2B)	1/2	12.7	16.5	10.4	30	32	22.23	32.5	42.7	42.8	26.1	23.0

Part No.	A	A ₁	E	E ₁	h	H	H ₁	l	L	L ₁	F	F ₁
	mm	mm	mm	mm	mm	mm	mm	mm	mm	mm	mm	mm
MDTR 13.8-10.5	13.8 (1/4B)	10.5 (1/8B)	10.4	7.9	22	24	22	27.0	37.6	37.0	23.3	22.7
MDTR 17.3-13.8	17.3 (3/8B)	13.8 (1/4B)	12.7	10.4	27	30	24	28.2	38.4	38.8	24.5	23.3
MDTR 21.7-17.3	21.7 (1/2B)	17.3 (3/8B)	16.5	12.7	30	32	30	32.5	42.7	42.7	26.1	24.5

Bl-Lok

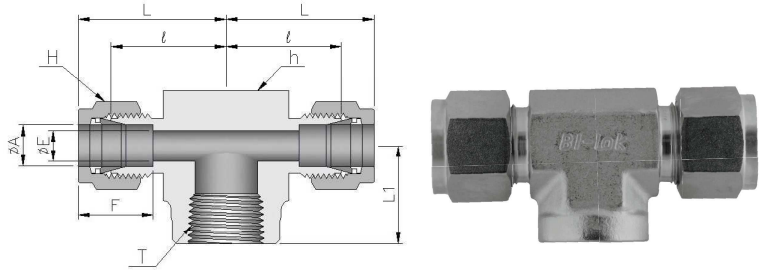
MDTN

Male Branch Tee
Connects schedule pipe to female tapered thread



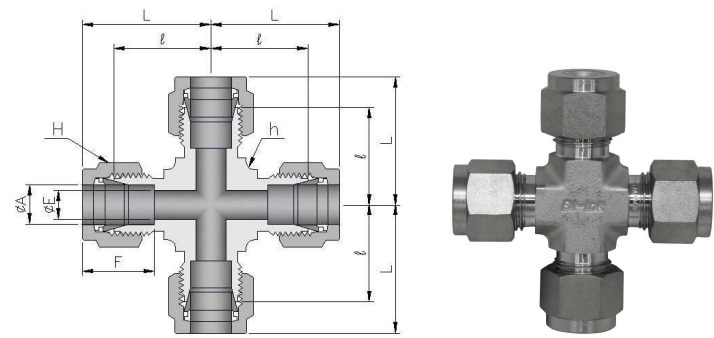
Part No.		A	T	E	E ₁	h	H	l	L	L ₁	F
ANSI NPT	ISO/JIS R	mm	NPT/R	mm	mm	Flat	Hex	mm	mm	mm	mm
MDTN 10.5-4	MDTN 10.5-R4	10.5 (1/8 B)	1/4	7.9	7.1	22	22	27.0	37.0	29.5	22.7
MDTN 10.5-6	MDTN 10.5-R6	10.5 (1/8 B)	3/8	7.9	10.4	22	22	27.0	37.0	29.5	22.7
MDTN 13.8-4	MDTN 13.8-R4	13.8 (1/4 B)	1/4	10.4	7.1	22	24	27.0	37.6	29.5	23.3
MDTN 13.8-6	MDTN 13.8-R6	13.8 (1/4 B)	3/8	10.4	10.4	22	24	27.0	37.6	29.5	23.3
MDTN 17.3-6	MDTN 17.3-R6	17.3 (3/8 B)	3/8	12.7	10.4	27	30	28.2	38.4	31.5	24.5
MDTN 17.3-8	MDTN 17.3-R8	17.3 (3/8 B)	1/2	12.7	12.7	27	30	28.2	38.4	35.5	24.5
MDTN 21.7-6	MDTN 21.7-R6	21.7 (1/2 B)	3/8	16.5	10.4	30	32	32.5	42.7	36.5	26.1
MDTN 21.7-8	MDTN 21.7-R8	21.7 (1/2 B)	1/2	16.5	12.7	30	32	32.5	42.7	40.5	26.1

<i>Bl-Lok</i>	MDTH	Female Branch Tee Connects schedule pipe to male tapered thread
---------------	-------------	---



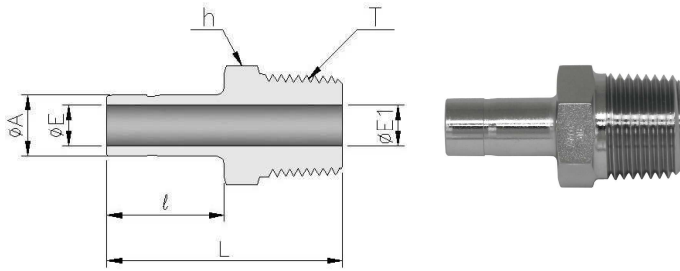
Part No.		A	T	E	h	H	I	L	L ₁	F
ANSI NPT	ISO/JIS Rc	mm	NPT/R	mm	Flat	Hex	mm	mm	mm	mm
MDTH 10.5-4	MDTH 10.5-R4	10.5 (1/8 B)	1/4	7.9	22	22	27.0	37.0	22.5	22.7
MDTH 10.5-6	MDTH 10.5-R6	10.5 (1/8 B)	3/8	7.9	24	22	27.0	37.0	22.5	22.7
MDTH 10.5-8	MDTH 10.5-R8	10.5 (1/8 B)	1/2	7.9	27	22	28.2	38.2	28.5	22.7
MDTH 13.8-4	MDTH 13.8-R4	13.8 (1/4 B)	1/4	10.4	22	24	27.0	37.6	22.5	23.3
MDTH 13.8-6	MDTH 13.8-R6	13.8 (1/4 B)	3/8	10.4	24	24	27.0	37.6	22.5	23.3
MDTH 13.8-8	MDTH 13.8-R8	13.8 (1/4 B)	1/2	10.4	27	24	28.2	38.8	28.5	23.3
MDTH 17.3-6	MDTH 17.3-R6	17.3 (3/8 B)	3/8	12.7	27	30	28.2	38.4	28.5	24.5
MDTH 17.3-8	MDTH 17.3-R8	17.3 (3/8 B)	1/2	12.7	27	30	28.2	38.4	28.5	24.5
MDTH 17.3-12	MDTH 17.3-R12	17.3 (3/8 B)	3/4	12.7	36	30	32.5	42.7	32.5	24.5
MDTH 21.7-6	MDTH 21.7-R6	21.7 (1/2 B)	3/8	16.5	30	32	32.5	42.7	32.5	26.1
MDTH 21.7-8	MDTH 21.7-R8	21.7 (1/2 B)	1/2	16.5	30	32	32.5	42.7	32.5	26.1
MDTH 21.7-12	MDTH 21.7-R12	21.7 (1/2 B)	3/4	16.5	36	32	32.5	42.7	32.5	26.1

<i>Bl-Lok</i>	MDXA	Union Cross Connects schedule pipes
---------------	-------------	---



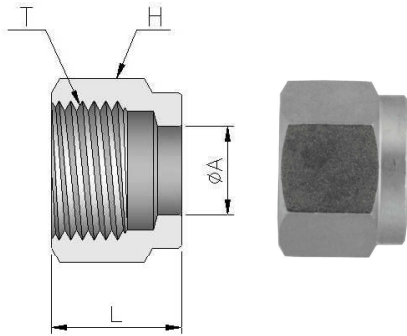
Part No.	A	E	h	H	I	L	F
	mm	mm	mm	mm	mm	mm	mm
MDXA 10.5	10.5 (1/8 B)	7.9	22	22	27.0	37.0	22.6
MDXA 13.8	13.8 (1/4 B)	10.4	22	24	27.0	37.6	22.8
MDXA 17.3	17.3 (3/8 B)	12.7	27	30	28.2	38.4	24.5
MDXA 21.7	21.7 (1/2 B)	16.5	30	32	32.5	42.7	26.1

<i>BI-Lok</i>	MDHA	Male Adapter Connects schedule BI-LOK port to female ISO tapered thread
---------------	-------------	---



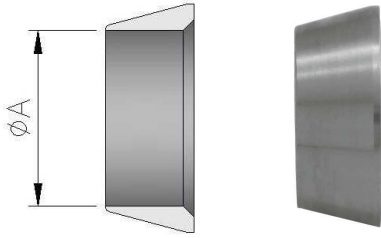
Part No.	A	T	E	E1	h	l	L
	mm	R	mm	mm	Hex	mm	mm
MDHA 10.5-R4	10.5 (1/8 B)	1/4	7.9	7.1	14	23.5	44.5
MDHA 10.5-R6	10.5 (1/8 B)	3/8	7.9	7.9	19	23.5	44.5
MDHA 13.8-R4	13.8 (1/4 B)	1/4	10.4	7.1	17	23.5	45
MDHA 13.8-R6	13.8 (1/4 B)	3/8	10.4	10.4	19	23.5	45
MDHA 17.3-R6	17.3 (3/8 B)	3/8	12.7	10.4	19	25.2	48
MDHA 17.3-R8	17.3 (3/8 B)	1/2	12.7	12.7	22	25.2	51
MDHA 21.7-R6	21.7 (1/2 B)	3/8	16.5	10.4	24	27.0	50
MDHA 21.7-R8	21.7 (1/2 B)	1/2	16.5	12.7	24	27.0	54

<i>BI-Lok</i>	MDNA	Nut Schedule pipe
---------------	-------------	-----------------------------



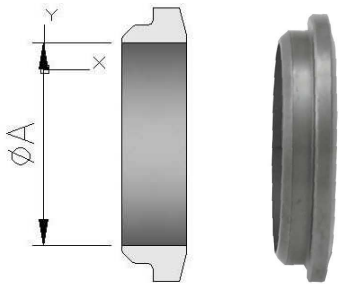
Part No.	A	H (Hex)	L	T (UNF)
	mm	mm	mm	
MDNA 10.5	10.5 (1/8B)	22	17.5	3/4-20UNEF
MDNA 13.8	13.8 (1/4B)	24	17.4	13/16-20UNEF
MDNA 17.3	17.3 (3/8B)	30	17.4	1-20UNEF
MDNA 21.7	21.7 (1/2B)	32	17.4	1-1/8-20UN

<i>BI-Lok</i>	MDOF	Front Ferrule Schedule pipe
---------------	-------------	--------------------------------

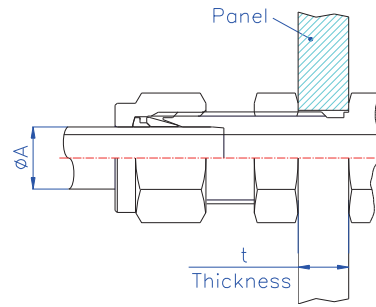
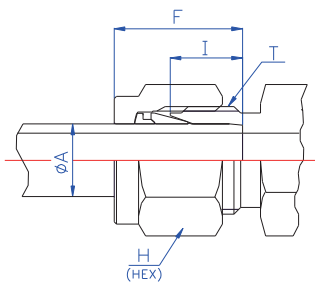


Part No.	A	
	mm	
MDOF 10.5	10.5 (1/8B)	
MDOF 13.8	13.8 (1/4B)	
MDOF 17.3	17.3 (3/8B)	
MDOF 21.7	21.7 (1/2B)	

<i>BI-Lok</i>	MDOB	Back Ferrule Schedule pipe
---------------	-------------	-------------------------------



Part No.	A	
	mm	
MDOB 10.5	10.5 (1/8B)	
MDOB 13.8	13.8 (1/4B)	
MDOB 17.3	17.3 (3/8B)	
MDOB 21.7	21.7 (1/2B)	



Fractional tube series

Nominal Size	Tube end dimensional data						Panel size for Bulkhead		
	A (Tube O.D)		T	I	(Hex)		F	Panel Hole Drill dia	Panel wall thickness(t)
	in	mm	Unified thread	mm	in	mm	mm	mm	mm
1	1/16	1.59	10-32	4.9	5/16	7.94	8.9	5.2	3.0
2	1/8	3.18	5/16-20	6.4	7/16	11.11	13.0	8.3	12.7
3	3/16	4.76	3/8-20	7.2	1/2	12.7	13.8	9.9	12.7
4	1/4	6.35	7/16-20	7.9	9/16	14.29	15.4	11.5	10.2
5	5/16	7.94	1/2-20	8.8	5/8	15.88	16.3	13.1	10.9
6	3/8	9.53	9/16-20	9.5	11/16	17.46	17.0	14.7	11.2
8	1/2	12.7	3/4-20	12.7	7/8	22.23	23.0	19.4	12.7
10	5/8	15.88	7/8-20	14.3	1	25.4	24.6	22.6	12.7
12	3/4	19.05	1-20	14.3	1-1/8	28.58	24.6	25.8	16.8
14	7/8	22.23	1-1/8-20	15.9	1-1/4	31.75	26.1	29.0	19.6
16	1	25.4	1-5/16-20	19.1	1-1/2	38.1	31.6	33.7	19.1

Metric tube series

Nominal Size	Tube end dimensional data						Panel size for Bulkhead		
	A (Tube O.D)		T	I	(Hex)		F	Panel Hole Drill dia	Panel wall thickness(t)
	mm	mm	Unified thread	mm	mm	mm	mm	mm	mm
2M	2	2	1/4-24	5.6	1 2	11.1	11.1	6.7	3.0
3M	3	3	5/16-20	6.4	1 2	13.0	13.0	8.3	12.7
4M	4	4	3/8-20	7.2	1 3	13.9	13.9	9.9	10.4
6M	6	6	7/16-20	7.9	1 4	15.4	15.4	11.5	9.7
8M	8	8	1/2-20	8.8	1 7	16.3	16.3	13.1	11.4
10M	10	10	5/8-20	9.5	1 9	17.3	17.3	16.3	11.6
12M	12	12	3/4-20	12.7	2 2	22.9	22.9	19.4	13.1
15M	15	15	7/8-20	14.3	2 7	24.3	24.3	22.6	12.0
16M	16	16	7/8-20	14.3	2 7	24.5	24.5	22.6	12.0
18M	18	18	1-20	14.3	3 0	24.5	24.5	25.8	16.7
20M	20	20	1-1/16-20	14.3	3 0	24.5	24.5	27.0	16.7
22M	22	22	1-1/8-20	15.9	3 2	26.1	26.1	29.0	16.7
25M	25	25	1-5/16-20	19.1	4 1	31.6	31.6	33.7	20.0

Schedule pipe series

Nominal Size	Tube end dimensional data						Panel size for Bulkhead		
	A (Tube O.D)		T	I	(Hex)		F	Panel Hole Drill dia	Panel wall thickness(t)
	in	mm	Unified thread	mm	mm	mm	mm	mm	mm
10.5	1/8B	10.5	3/4-20	12.7	2 2	22.7	22.7	19.4	11.1
13.8	1/4B	13.8	13/16-20	12.7	2 4	23.3	23.3	21.0	12.1
17.3	3/8B	17.3	1-20	14.3	3 0	24.5	24.5	25.8	14.9
21.7	1/2B	21.7	1-1/8-20	15.9	3 2	26.1	26.1	29.0	19.5



イハラサイエンス株式会社
IHARA SCIENCE CORPORATION

ISO9001 / ISO14001 認証事業所

【東日本営業所】

〒108-0074

東京都港区高輪3丁目11番3号イハラ高輪ビル

■TEL:03-6721-6981 ■FAX:03-6721-6991

【中部営業所】

〒460-0012

愛知県名古屋市中区千代田3丁目14番地19号 千代田ツカサビル

■TEL:052-323-2627 ■FAX:052-323-2630

【西日本営業所】

〒530-0044

大阪府大阪市北区東天満2-6-5 (IS南森町ビル)

■TEL:06-6358-9255 ■FAX06-6358-9260

⚠ 注意

継手、バルブ、関係するアクセサリーの不適切な選択または取り扱い、人体やシステムに障害・損傷を与える恐れがあります。システム設計者およびユーザーの責任と権限による判断のもとに、使用されるシステムとの適合性や使用条件を考慮の上、継手、バルブ、関連するアクセサリーを選定し、適切な取付け、操作及びメンテナンスを行ってください。ご使用にあたり、取扱説明書をお読みいただき内容をよくご理解下さい。取扱説明書がお手元がない場合、及び不明な点がある場合は最寄りの営業所までお問い合わせ下さい。

製品保証期間について

1. 保証期間

当社製品の保証期間は、使用開始から1年以内、もしくは納入後1.5年以内、いずれか早期に到達する期間と致します。ただし、製品が特殊仕様である場合や、当社の設計仕様を逸脱した状態で使用された場合はこの限りではありません。また、製品には耐久回数、交換部品などを定めているものがありますので、最寄りの営業所に御確認下さい。

2. 保証範囲

保証期間中において当社の責による故障や損傷が明らかになった場合は、代替品又は必要な交換品を無償で提供致します。尚、ここでの保証は、当社製品単体の保証を意味するもので、当社製品の故障や損傷により誘発される損害は、保証の対象範囲から除外させていただきます。

■ URL : <http://www.ihara-sc.co.jp/>

■ 本カタログの記載内容は、商品の改良等のため予告なく変更することがありますので、予めご了承下さい。

CAT No. 0094I